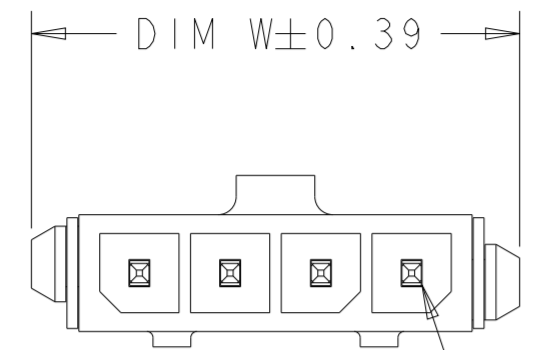
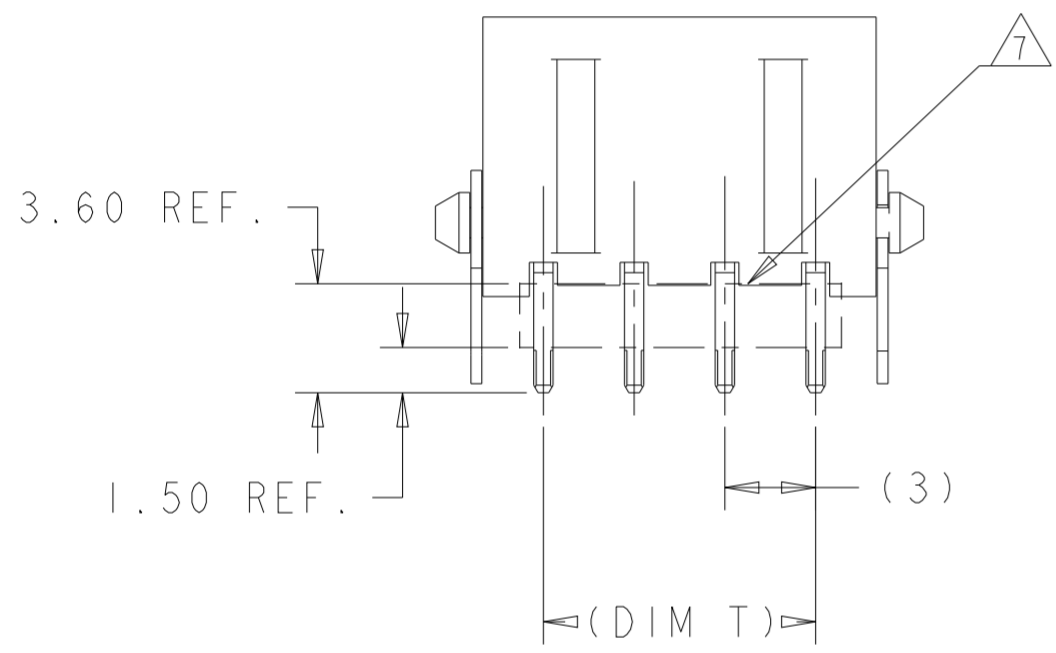
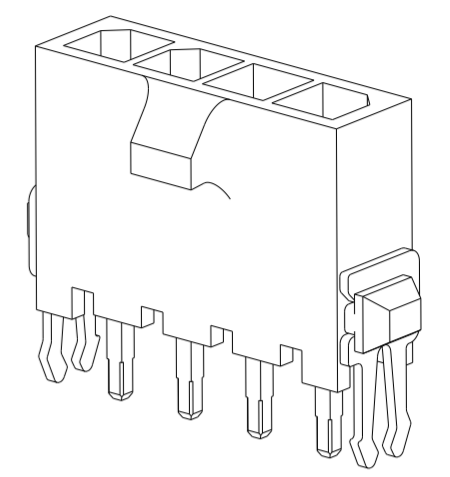
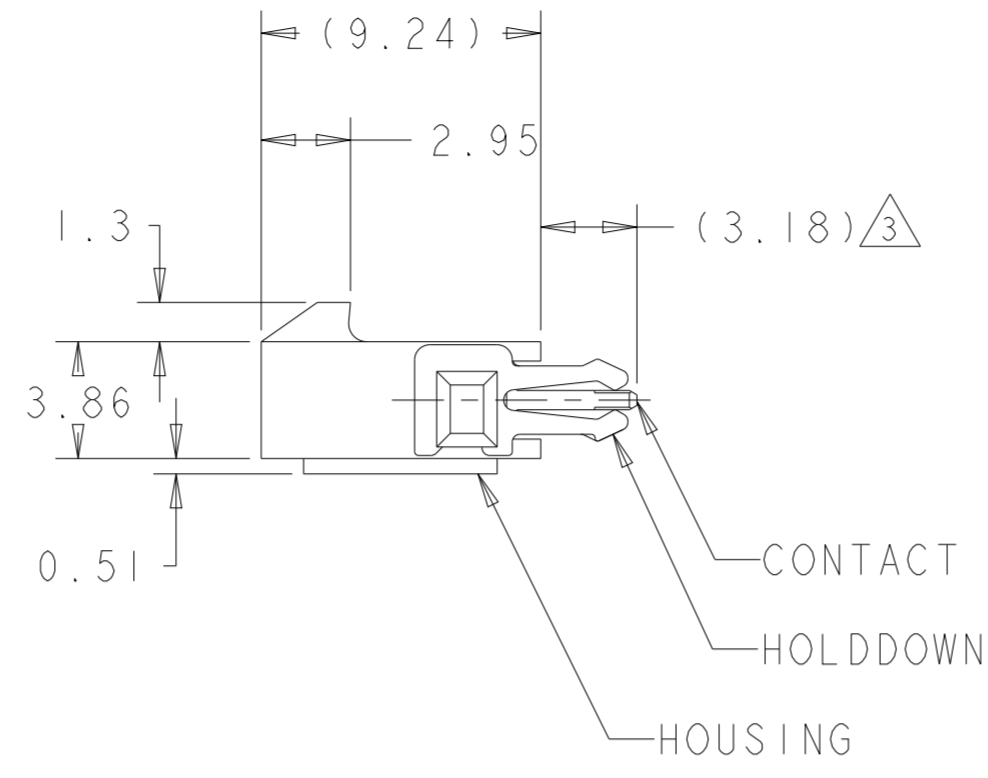


THIS DRAWING IS UNPUBLISHED. RELEASED FOR PUBLICATION 20
 © COPYRIGHT 20 BY - ALL RIGHTS RESERVED.

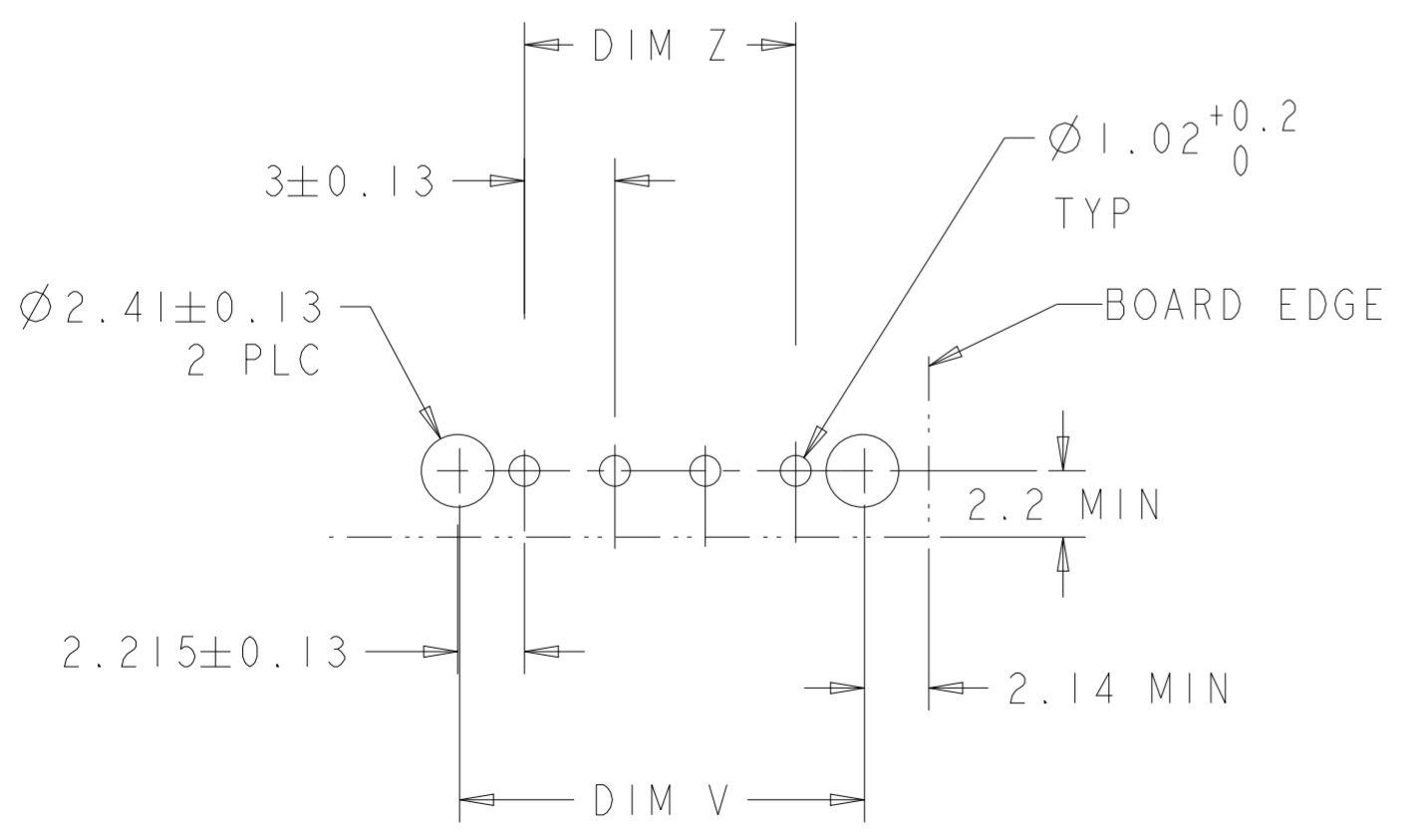
LOC	DIST	REVISIONS					
CM	00	P	LTR	DESCRIPTION	DATE	DWN	APVD
		A1		REVISED PER ECR-12-007353	18MAY2012	KH	TM
		A2		REVISED PER ECO-20-009442	13JUL2020	WLS	DZ
		A3		REVISED PER ECN-22-139652	17FEB2022	WLS	VS
		A4		REVISED PER ECN-22-162091	06JUL2022	WLS	VS



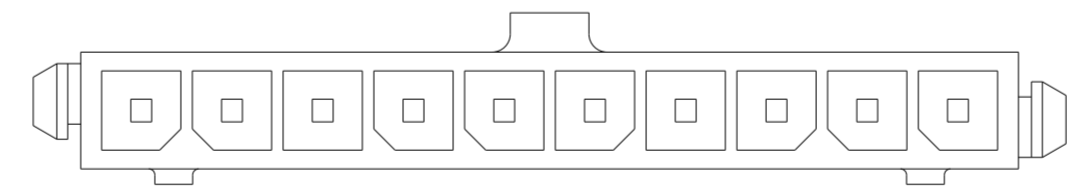
CIRCUIT NUMBER 1



- △ MATERIAL: HOUSING - UL 94V-0 RATED HIGH TEMP NYLON, COLOR BLACK.
CONTACTS - BRASS
HOLDDOWNS- PHOSPHOR BRONZE.
- △ PLATING: CONTACTS - 0.76µm MINIMUM GOLD ON MATING AREA.
2.54µm MINIMUM MATTE TIN ON SOLDER TAILS.
ALL OVER 1.27µm MINIMUM NICKEL.
HOLDDOWNS- 2.54µm MINIMUM MATTE TIN OVER 1.27µm MINIMUM NICKEL.
- △ NO BARE EDGES ALLOWED ON SOLDER TAILS.
- △ RECOMMENDED PC BOARD THICKNESS OF 1.57.
- 5 COUNTERPART RECOMMENDED IS PN 1445022 OR 2008571 (DASH ACC. TO NUMBER OF POSITION).
- 6 FOR REELING DIRECTION AND PACKAGING TYPE, SEE SPECIFICATION 114-13000.
- △ CUTTING EDGE, NO PLATING PRESENT IN THE REGION SHOWN.



PCB LAYOUT COMPONENT SIDE △



KEYING BY POSITION SIZE

27.00	31.43	27.00	34.14	10	1-2029037-0
9.00	13.43	9.00	16.14	4	2029037-4
DIM Z	DIM V	DIM T	DIM W	NO. OF POSN	PART NUMBER

THIS DRAWING IS A CONTROLLED DOCUMENT.

DIMENSIONS: mm	TOLERANCES UNLESS OTHERWISE SPECIFIED:	DWN K. WHITAKER 17 JAN 2008	TE Connectivity
0 PLC ±	1 PLC ±	CHK C. JONES 17 JAN 2008	
2 PLC ±0.20	3 PLC ±	APVD C. JONES 17 JAN 2008	
4 PLC ±	ANGLES ±°	PRODUCT SPEC 108-1836	
MATERIAL △	FINISH △	APPLICATION SPEC 114-13000	NAME VERT THRU HOLE HEADER ASSY, 0.76 MIC GOLD CONTS, W/THRU HOLE HOLDDOWNS, SINGLE ROW, MICRO MATE-N-LOK(TM)
		WEIGHT -	SIZE A2
		CUSTOMER DRAWING	CAGE CODE 00779
			DRAWING NO. C-2029037
			RESTRICTED TO
			SCALE 4:1
			SHEET 1 OF 1
			REV A4