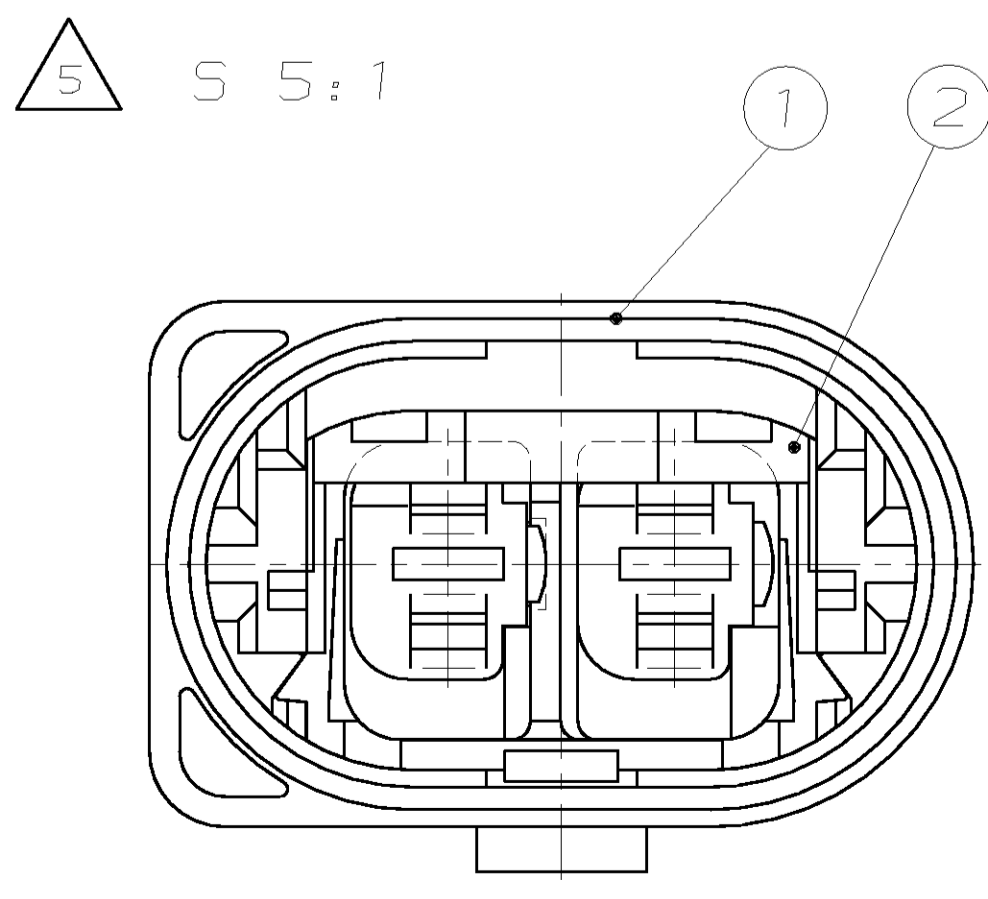
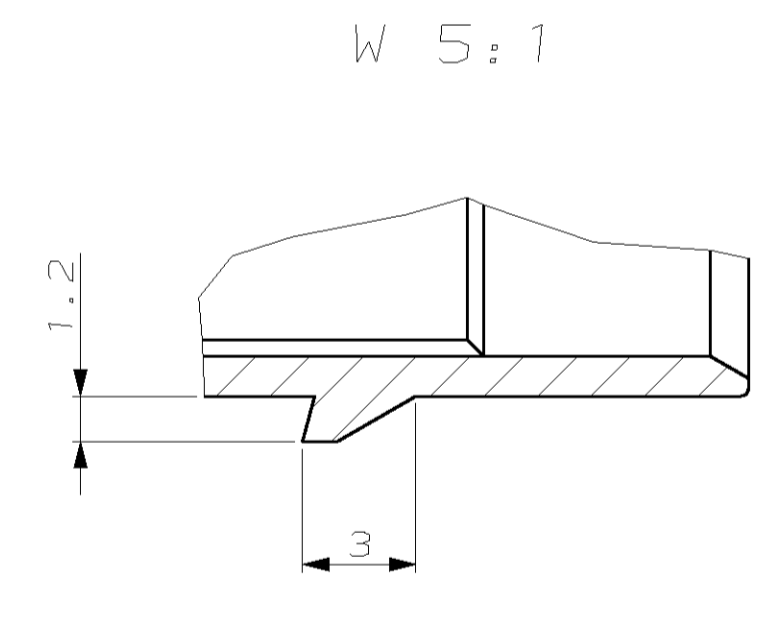
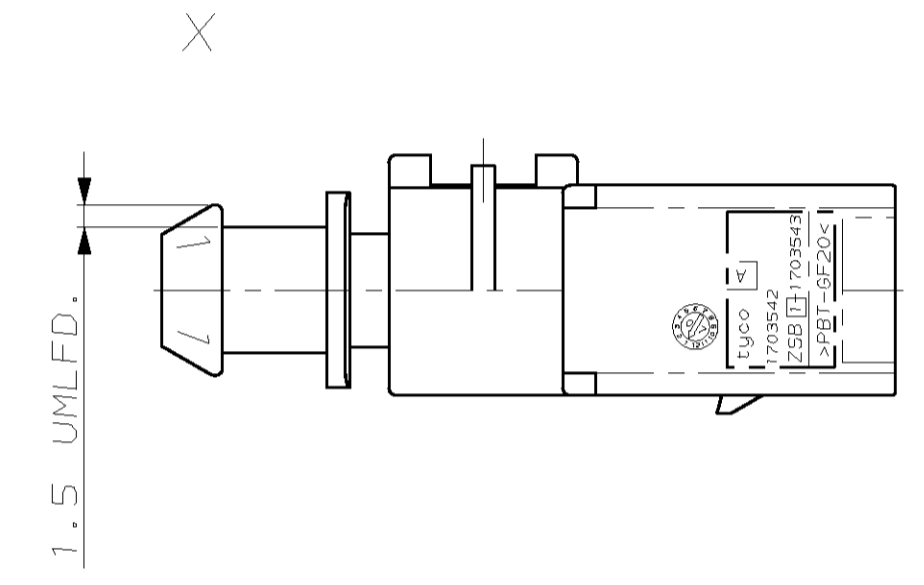
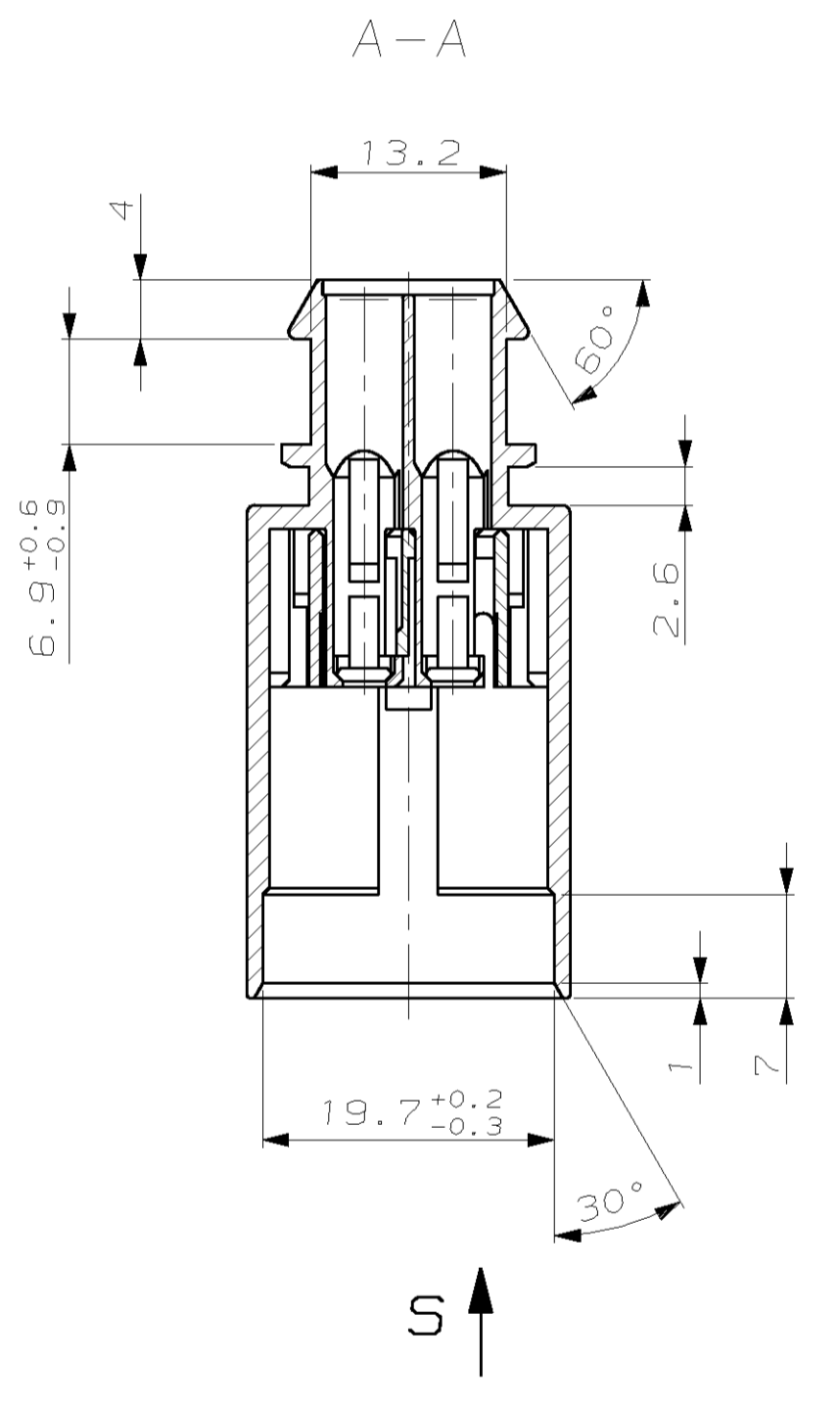
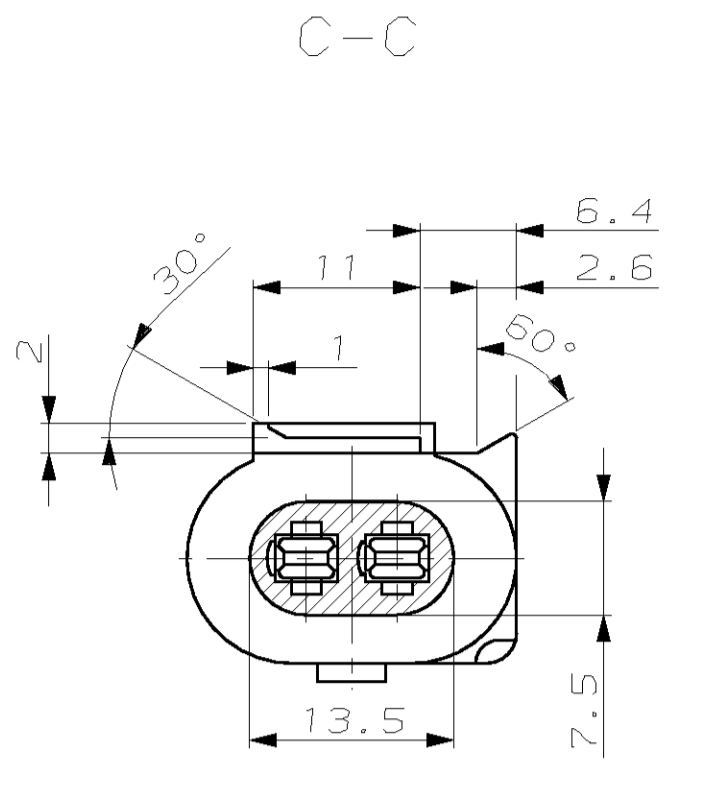
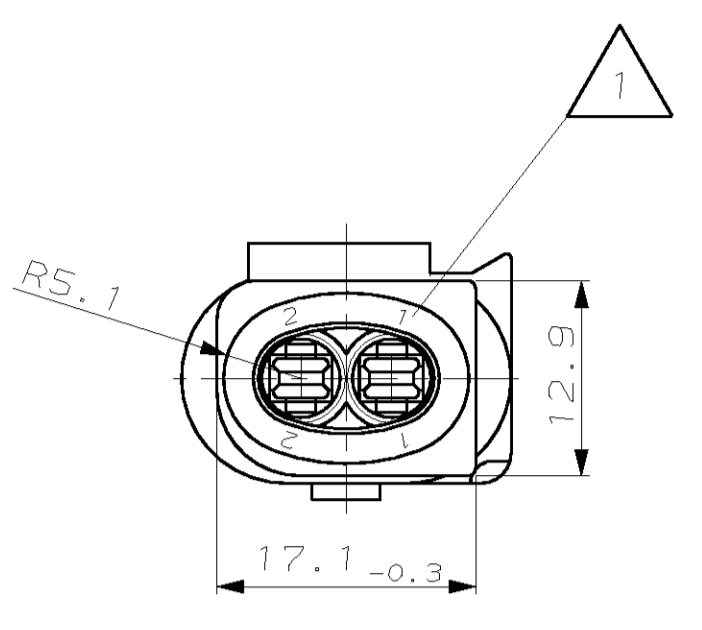
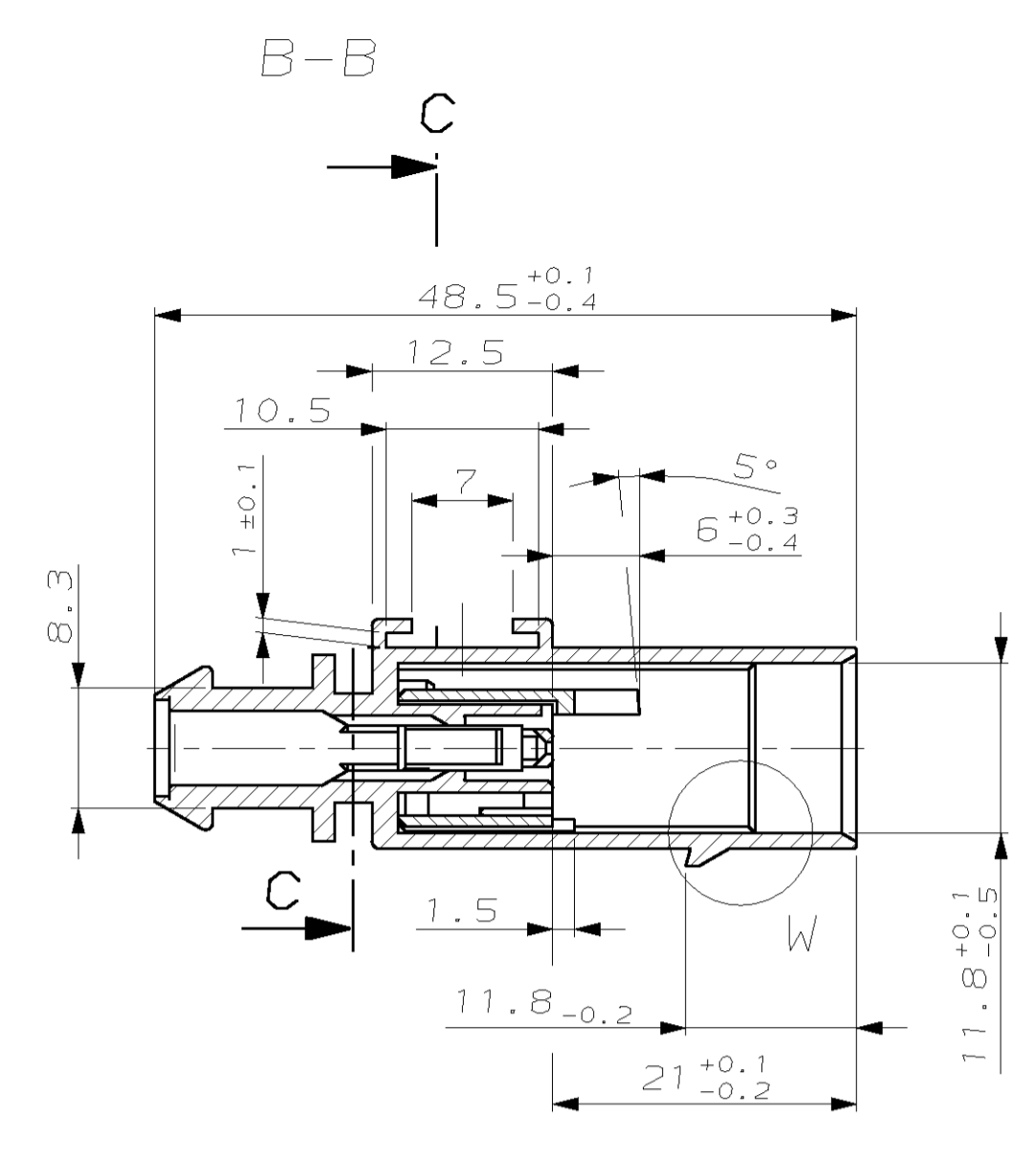
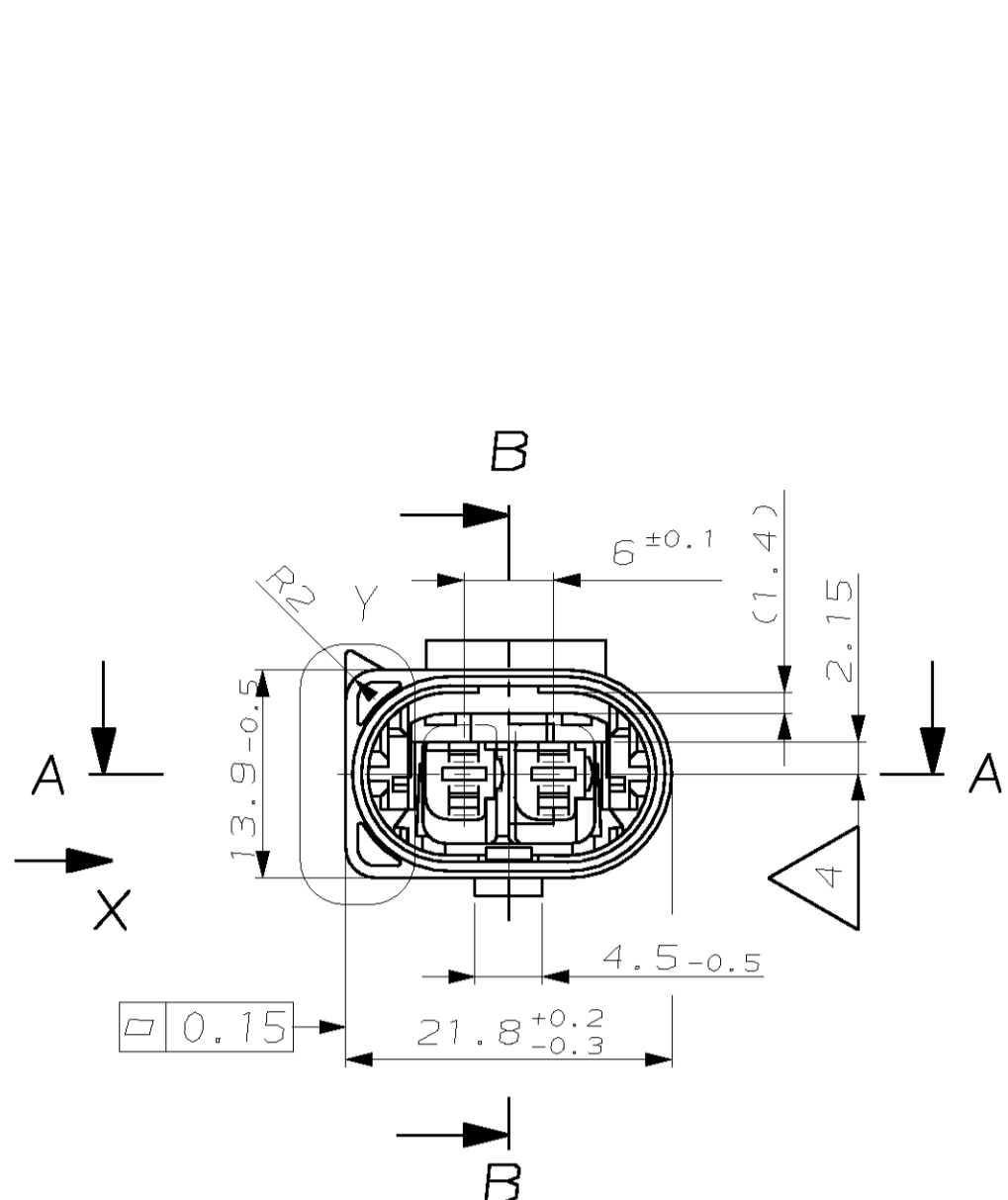


LOC	DIST	REV	DATE	APPD
AI	-	A	19-MAR-07	Ueck.
		A1	23-MAY-07	M. Zoyg Thiel



BEMERKUNGEN
NOTES

1 KONTAKTKAMMERNUMMER
 CONTACT CAVITY NUMBER

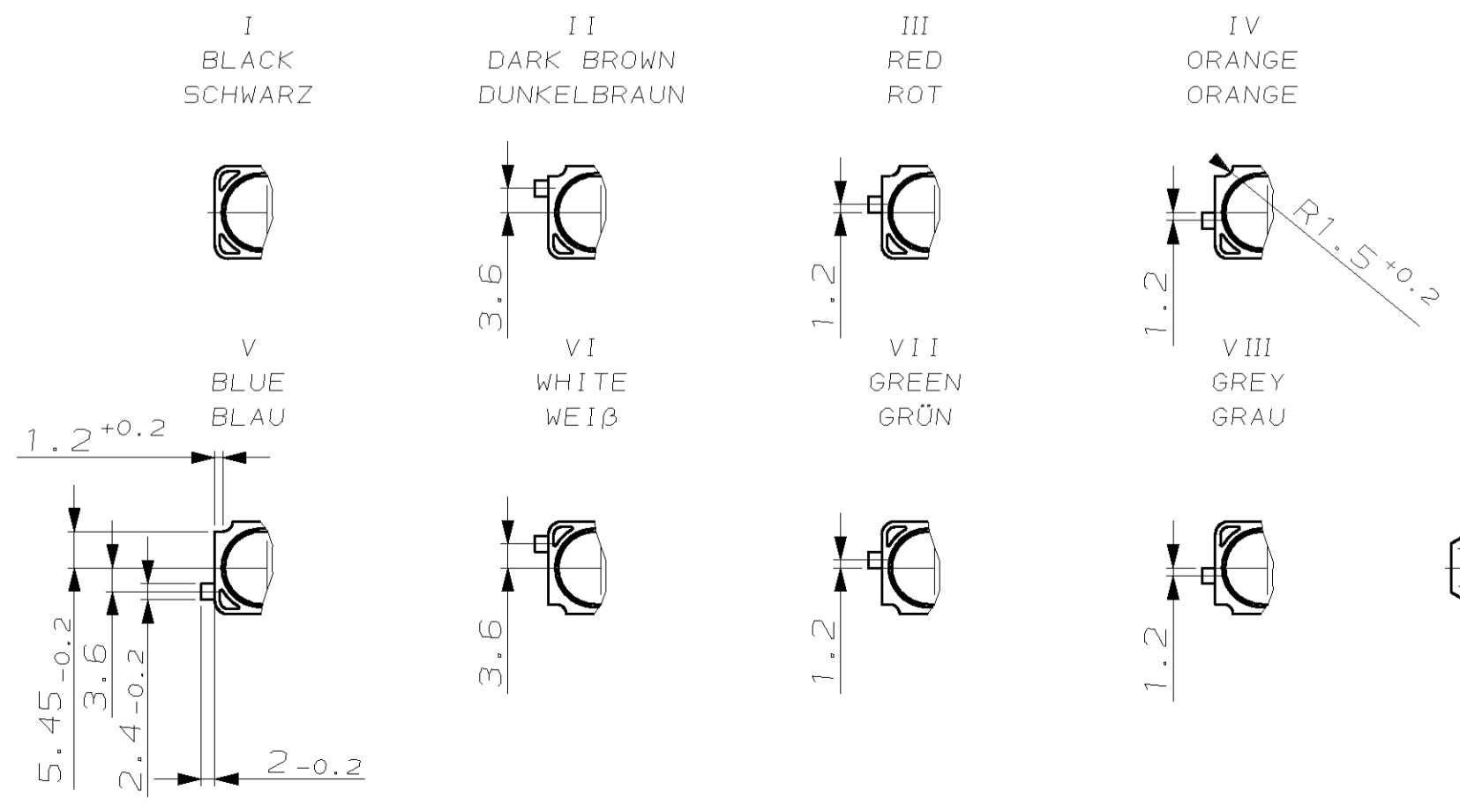
2 VERPACKT ALS SCHÜTTGUT
 BULK PACKAGED

3 DAS TEIL 1703543 WIRD Z.B. MIT DEM KONTAKT 2-964300-1
 UND EINER EINZELADERDICHTUNG 963294-1 BESTÜCKT AUF DIE
 ENTSPRECHENDE SCHNITTSTELLE NACH 114-18131 GESTECKT
 THE PART NO. 1703543 ASSEMBLED FOR EXAMPLE WITH
 CONTACT 2-964300-1 AND A SEALING 963294-1 WILL HAVE
 A SUITABLE MATING PART ACC. TO 114-18131

4 LIEFERZUSTAND GEZEICHNET; VERRIEGELUNG IN VORRATSTELLUNG,
 NACH KONTAKTBESTUECKUNG IN DIESER RICHTUNG VERSCHIEBEN
 MIT WERKZEUG 2-1355149-1
 SHOWN AS SUPPLIED; RETAINER IN PRELOCKED POSITION,
 AFTER CONTACT LOADING TO SHIFT IN THIS DIRECTION
 WITH TOOL 2-1355149-1

5 GEHÄUSE OHNE EINSCHUB
 HOUSING WITHOUT SNAP-IN ATTACHMENT

**Y 1:1 CODINGS
 KODIERUNGEN**



COD	PART-NO	Tyco REV	ITEM NO	QTY	DESCRIPTION	MATERIAL	COLOR
VIII	2-1703543-8	A	2	1	RETAINER, ...	PBT-GF30	VIOLET
			1	1	2POS, TAB 2.8X0.8, TAB H5G...	PBT-GF20	GREY
VII	2-1703543-7	A	2	1	RETAINER, ...	PBT-GF30	VIOLET
			1	1	2POS, TAB 2.8X0.8, TAB H5G...	PBT-GF20	GREEN
VI	2-1703543-6	A	2	1	RETAINER, ...	PBT-GF30	VIOLET
			1	1	2POS, TAB 2.8X0.8, TAB H5G...	PBT-GF20	WHITE
V	2-1703543-5	A	2	1	RETAINER, ...	PBT-GF30	VIOLET
			1	1	2POS, TAB 2.8X0.8, TAB H5G...	PBT-GF20	BLUE
IV	2-1703543-4	A	2	1	RETAINER, ...	PBT-GF30	VIOLET
			1	1	2POS, TAB 2.8X0.8, TAB H5G...	PBT-GF20	ORANGE
III	2-1703543-3	A	2	1	RETAINER, ...	PBT-GF30	VIOLET
			1	1	2POS, TAB 2.8X0.8, TAB H5G...	PBT-GF20	RED
II	2-1703543-2	A	2	1	RETAINER, ...	PBT-GF30	VIOLET
			1	1	2POS, TAB 2.8X0.8, TAB H5G...	PBT-GF20	DARK BROWN
I	2-1703543-1	A	2	1	RETAINER, ...	PBT-GF30	VIOLET
			1	1	2POS, TAB 2.8X0.8, TAB H5G...	PBT-GF20	BLACK
VIII	1-1703543-8	A	2	1	RETAINER, ...	PBT-GF30	VIOLET
			1	1	2POS, TAB 2.8X0.8, TAB H5G...	PBT-GF20	GREY
VII	1-1703543-7	A	2	1	RETAINER, ...	PBT-GF30	VIOLET
			1	1	2POS, TAB 2.8X0.8, TAB H5G...	PBT-GF20	GREEN
VI	1-1703543-6	A	2	1	RETAINER, ...	PBT-GF30	VIOLET
			1	1	2POS, TAB 2.8X0.8, TAB H5G...	PBT-GF20	WHITE
V	1-1703543-5	A	2	1	RETAINER, ...	PBT-GF30	VIOLET
			1	1	2POS, TAB 2.8X0.8, TAB H5G...	PBT-GF20	BLUE
IV	1-1703543-4	A	2	1	RETAINER, ...	PBT-GF30	VIOLET
			1	1	2POS, TAB 2.8X0.8, TAB H5G...	PBT-GF20	ORANGE
III	1-1703543-3	A	2	1	RETAINER, ...	PBT-GF30	VIOLET
			1	1	2POS, TAB 2.8X0.8, TAB H5G...	PBT-GF20	RED
II	1-1703543-2	A	2	1	RETAINER, ...	PBT-GF30	VIOLET
			1	1	2POS, TAB 2.8X0.8, TAB H5G...	PBT-GF20	DARK BROWN
I	1-1703543-1	A	2	1	RETAINER, ...	PBT-GF30	VIOLET
			1	1	2POS, TAB 2.8X0.8, TAB H5G...	PBT-GF20	BLACK

AMP tyco Electronics AMP GmbH
 D - 64625 Bensheim

108-18181
 174-18132

2POS, TAB 2.8X0.8, TAB H5G, ASSEMBLY
 2POL., FL5 2.8X0.8, FL5 STECKERGEH., KOMPLETT

7g

00779-1703543

CUSTOMER DRAWING /KUNDENZEICHNUNG