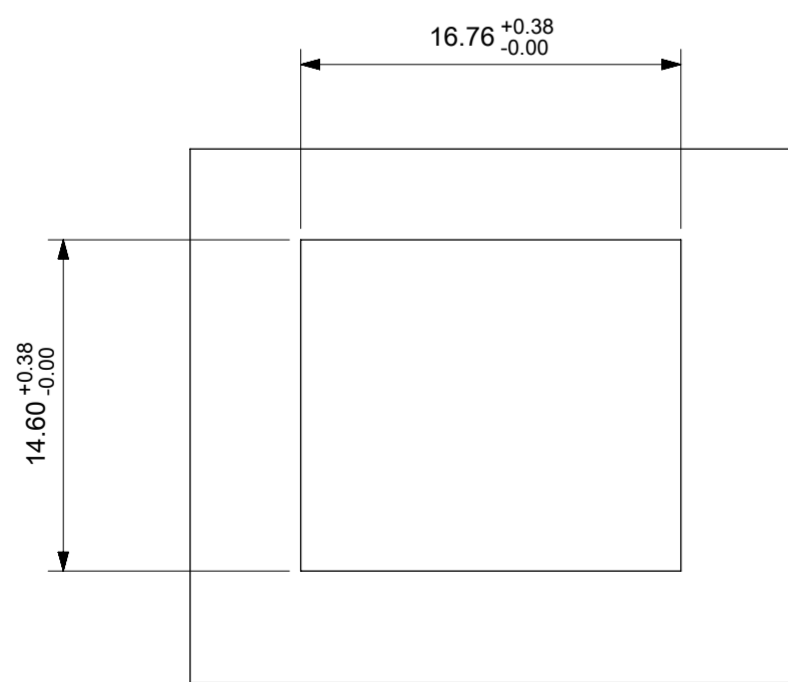
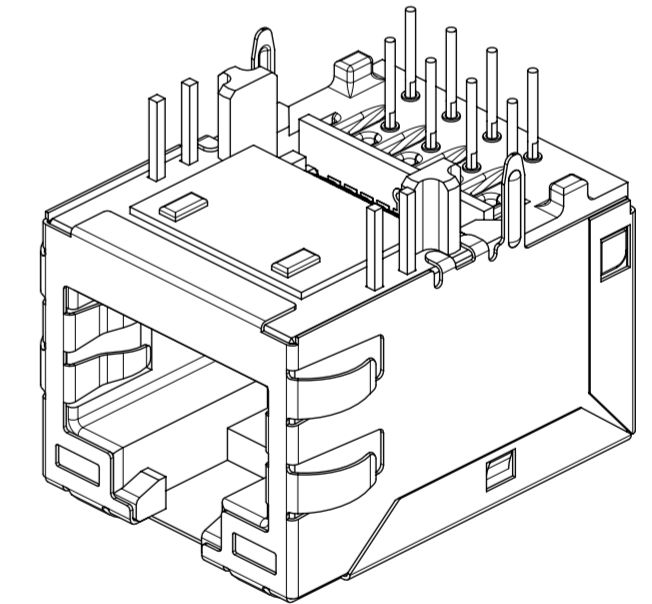
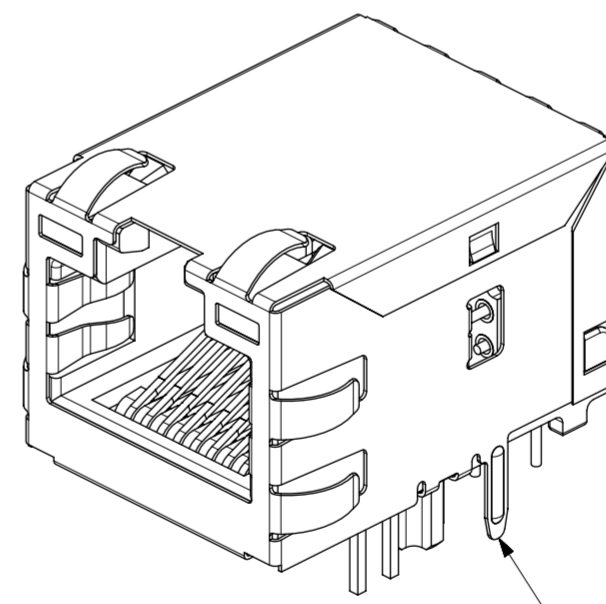
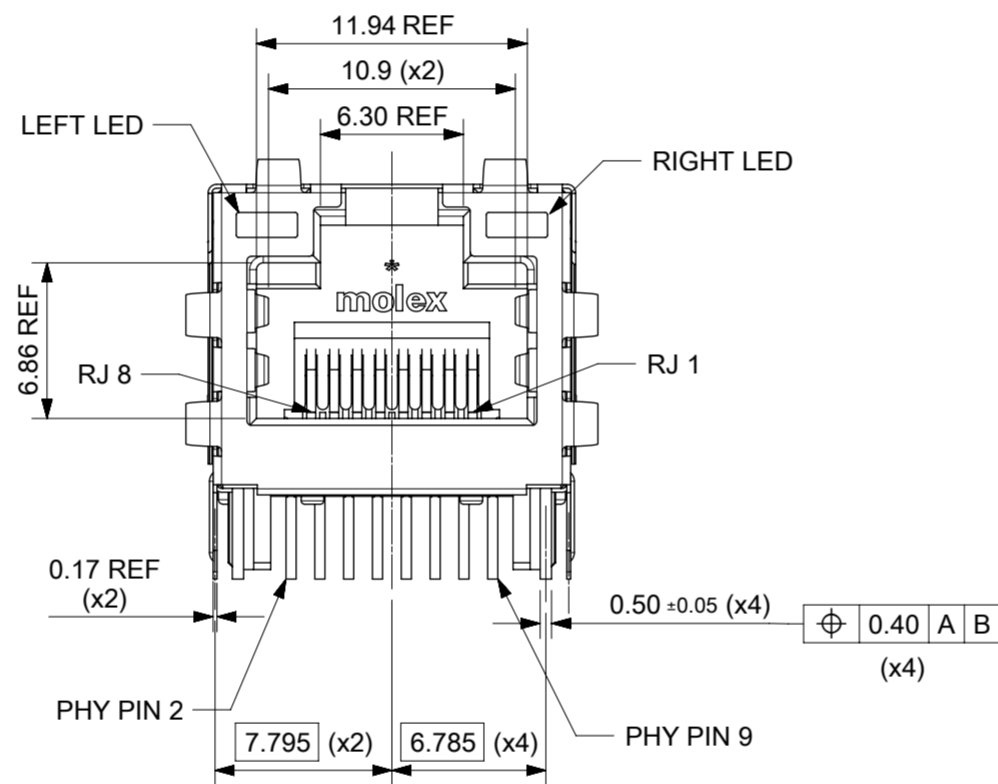
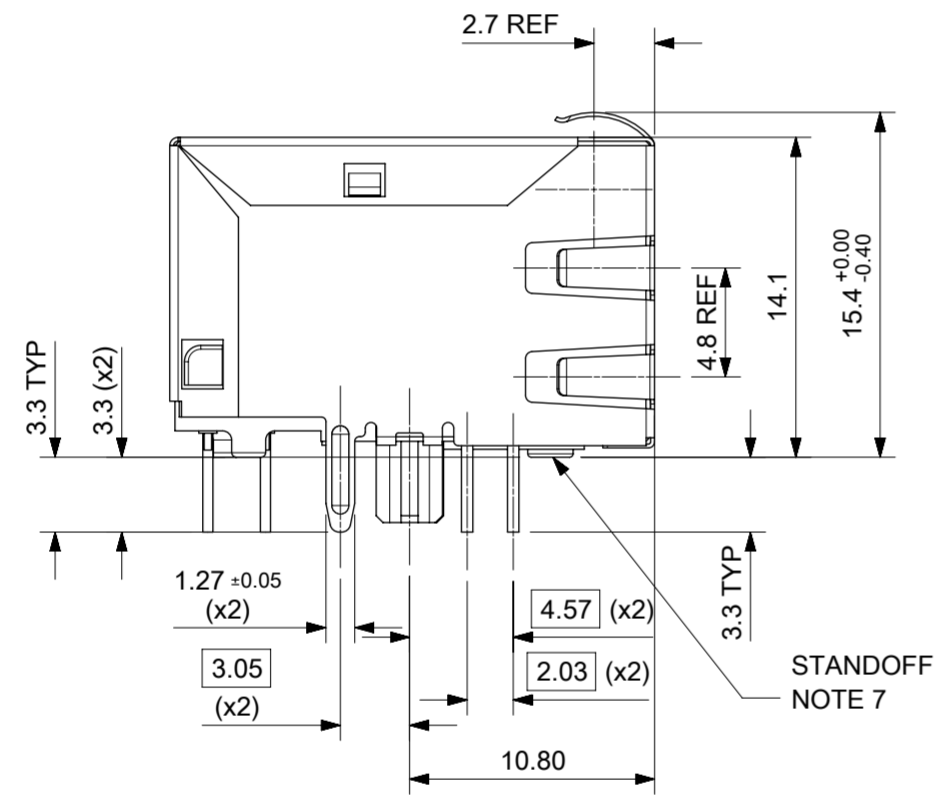
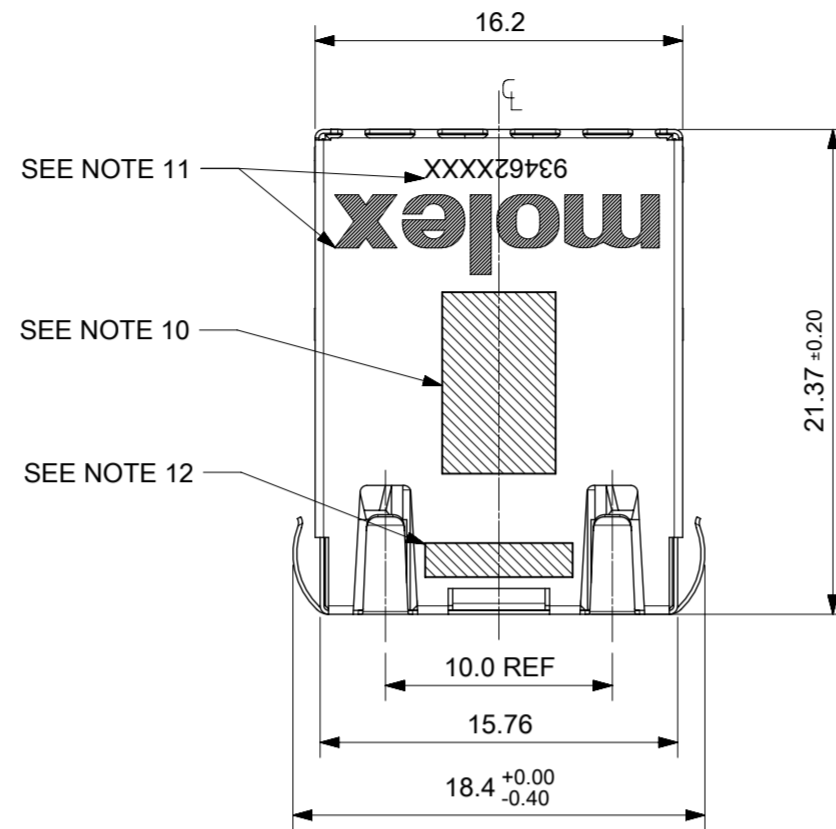
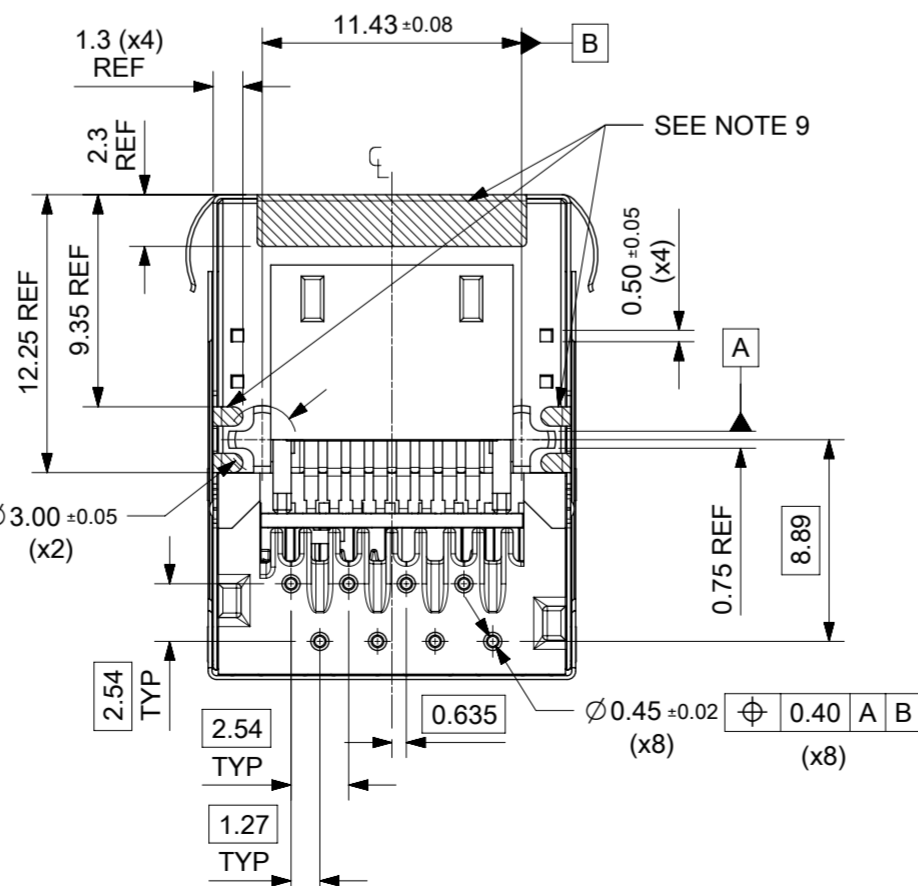


INVERTED PROFILE MAGNETIC JACK  
FAST ETHERNET W/SHIELD TABS  
& W/LEDS

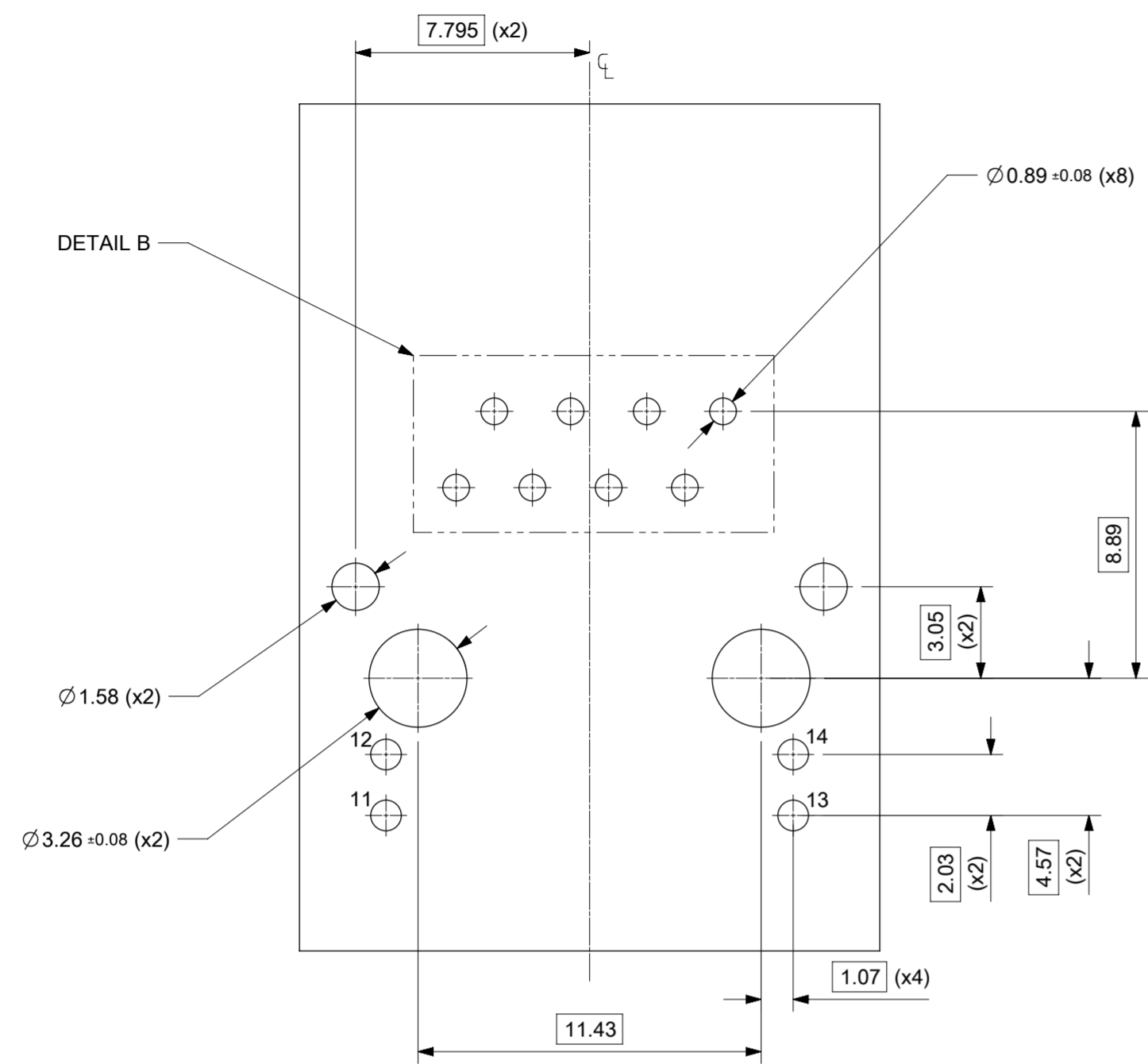


SUGGESTED PANEL CUTOUT

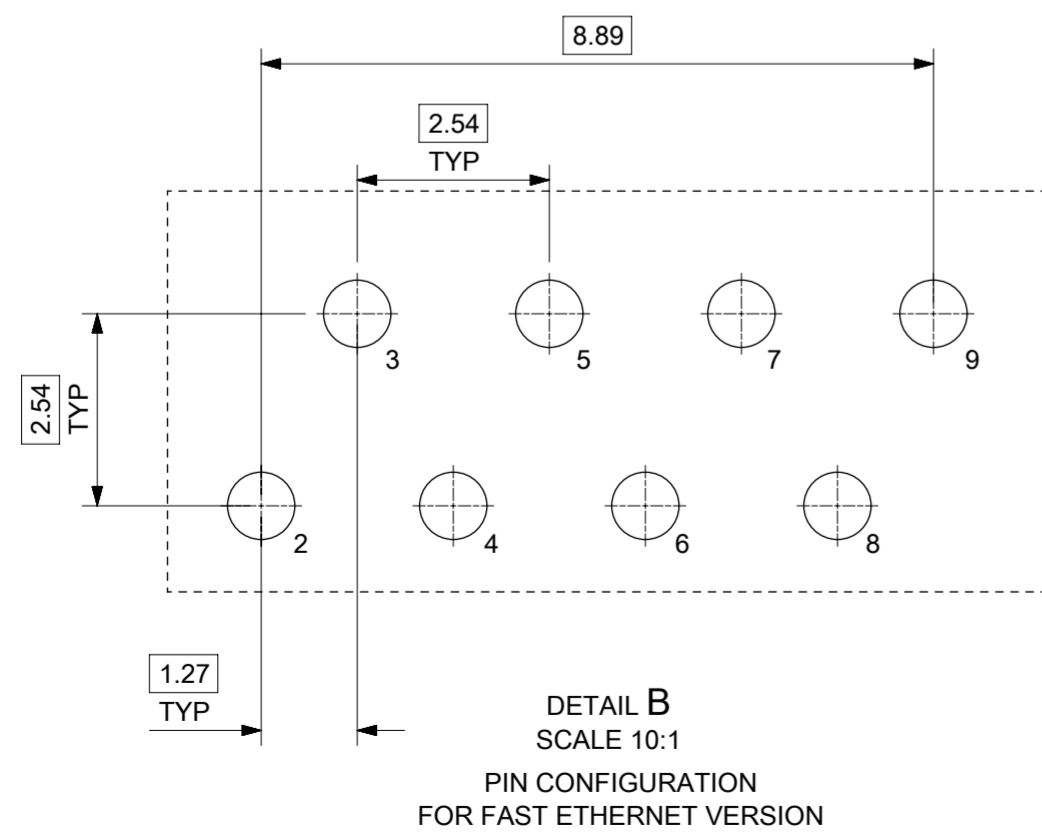


- NOTES:
- SHIELD MATERIAL: 0.17 mm THICK BRASS PRE-PLATED WITH NICKEL  
SOLDER TABS POST DIPPED WITH MIN. 1.27 μm TIN
  - HOUSING MATERIAL: LCP, BLACK, UL 94V-0
  - TERMINALS MATERIAL: PHOSPHOR BRONZE  
RJ45 CONTACTS PLATING: BASE NICKEL PLATED WITH GOLD  
FLASH OVER PALLADIUM NICKEL. REFER TO 934620001 PSP  
PHY SOLDER TAILS: COPPER ALLOY
  - MATING INTERFACE ACCORDING TO IEC 60603-7 & TIA-1096-A
  - PRODUCT SPECIFICATION: 934620001 PSP
  - PACKAGING SPECIFICATION: 934620001 PSK - TRAY
  - STAND OFF TO SYSTEM BOARD 0.30 mm MIN
  - RECOMMENDED PCB THICKNESS: 1.57 mm
  - SHIELD: AVOID ROUTING TRACES  
OR PLACING ANY VIAS BELOW THESE AREAS
  - AREA FOR PICK AND PLACE: 5.0 mm X 8.0 mm
  - INSCRIPTION MARKED BY LASER:  
1st: MOLEX  
2nd: P/N (SEE BOM)
  - INSCRIPTION MARKED BY LASER:  
DATE CODE (DAY/WEEK/YEAR)
  - MATERIAL COMPLIANT TO RoHS DIRECTIVE 2002/95/EC

FUNCTIONAL SYMBOLS	THIS DRAWING CONTAINS INFORMATION THAT IS PROPRIETARY TO MOLEX ELECTRONIC TECHNOLOGIES, LLC AND SHOULD NOT BE USED WITHOUT WRITTEN PERMISSION					
	DIMENSION UNITS	SCALE				
FA = 0	mm	3:1	GENERAL TOLERANCES (UNLESS SPECIFIED)		EC NO: 721941	
FC = 0	ANGULAR TOL ± 2.0°		4 PLACES ±		DRWN: FAYEW 2022/09/20	
FP = 0	DIVISIONAL SYMBOLS		3 PLACES ±		CHK'D: KLANG 2022/09/20	
			2 PLACES ± 0.1		APPR: KLANG 2022/09/20	
			1 PLACE ± 0.2		INITIAL REVISION:	
			0 PLACES ±		DRWN: KREILLY 2016/01/26	
			DRAFT WHERE APPLICABLE MUST REMAIN WITHIN DIMENSIONS		APPR: STGRIFFIN 2016/09/26	
			THIRD ANGLE PROJECTION	DRAWING	SERIES	DOCUMENT NUMBER
				A2-SIZE	93462	934620003
			MATERIAL NUMBER		CUSTOMER	DOC TYPE   DOC PART   REVISION
			SEE TABLE ON SHEET 2			PSD   000   C1
			SHEET NUMBER		1 OF 3	


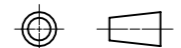


SUGGESTED BOARD LAYOUT  
FAST ETHERNET VERSION  
COMPONENT SIDE  
ALL DIMS REFERENCE DIMS



DETAIL B  
SCALE 10:1  
PIN CONFIGURATION  
FOR FAST ETHERNET VERSION

PART NUMBER	LEFT LED	RIGHT LED
934628406	GREEN	YELLOW

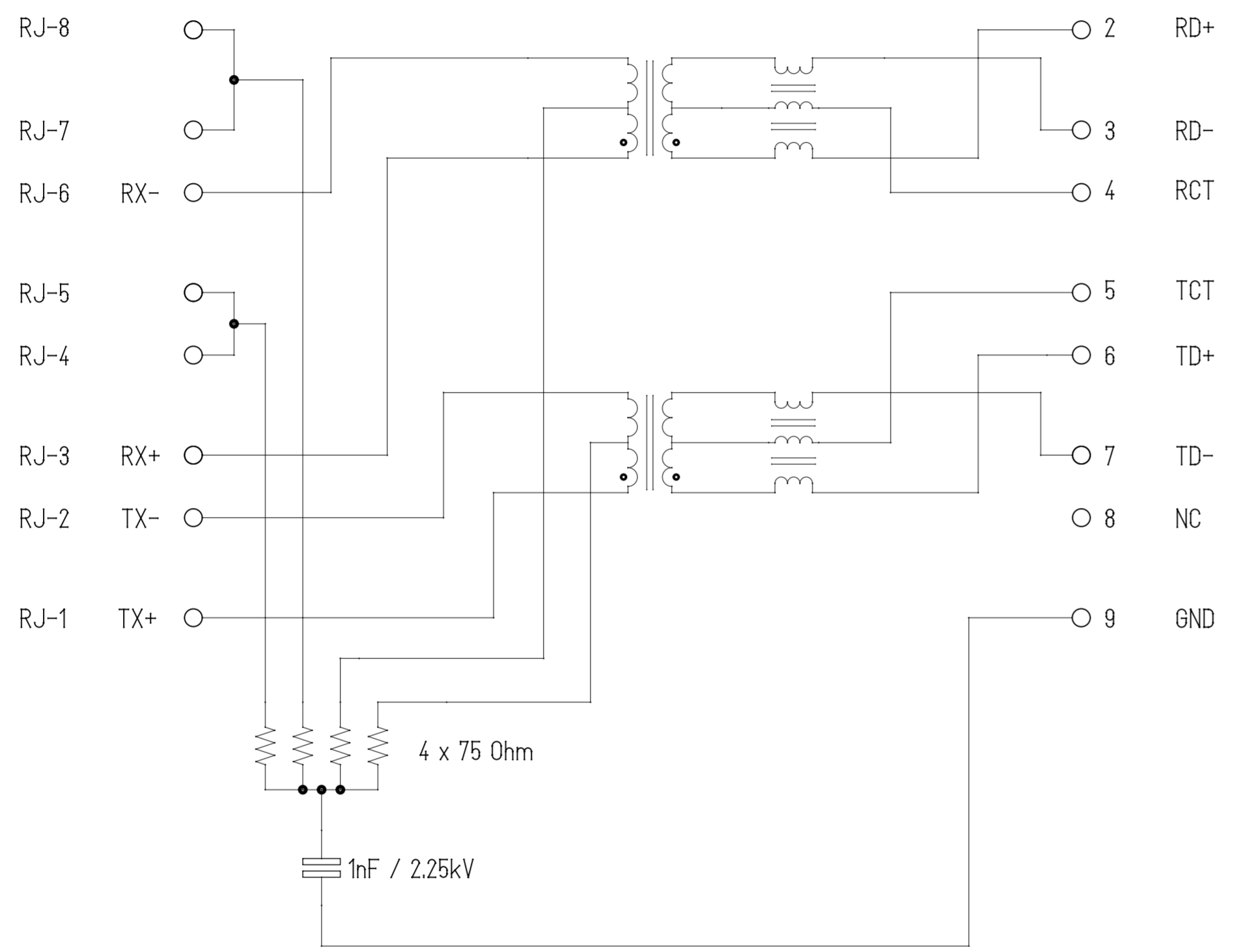
FUNCTIONAL SYMBOLS	THIS DRAWING CONTAINS INFORMATION THAT IS PROPRIETARY TO MOLEX ELECTRONIC TECHNOLOGIES, LLC AND SHOULD NOT BE USED WITHOUT WRITTEN PERMISSION												
	FA = 0	DIMENSION UNITS	SCALE	CURRENT REV DESC: REVISED TO GENERAL MARKET							 INV MX-MAG 4 CORE FE W/SHIELD TABS		
FC = 0	mm	5:1	GENERAL TOLERANCES (UNLESS SPECIFIED)							PRODUCT CUSTOMER DRAWING			
FP = 0	ANGULAR TOL ± 2.0°		4 PLACES ±				EC NO: 721941		2022/09/20				
DIVISIONAL SYMBOLS	3 PLACES ±		DRWN: FAYEW				2022/09/20		DOCUMENT NUMBER		DOC TYPE	DOC PART	REVISION
	2 PLACES ± 0.1		APPR: KLANG				2022/09/20		934620003		PSD	000	C1
	1 PLACE ± 0.2		INITIAL REVISION:				2016/01/26		MATERIAL NUMBER		CUSTOMER		SHEET NUMBER
	0 PLACES ±		APPR: STGRIFFIN				2016/09/26		SEE TABLE				2 OF 3
DRAFT WHERE APPLICABLE MUST REMAIN WITHIN DIMENSIONS			THIRD ANGLE PROJECTION		DRAWING		SERIES		MATERIAL NUMBER		CUSTOMER		SHEET NUMBER
					A2-SIZE		93462		SEE TABLE				2 OF 3

DOCUMENT STATUS	P1	RELEASE DATE	2022/09/20	13:41:23
-----------------	----	--------------	------------	----------

WIRE-SIDE / RJ-45

ETHERNET MAGNETICS

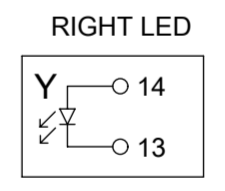
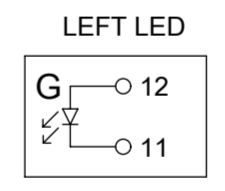
PHY-SIDE / PCB SIDE



////// Shield

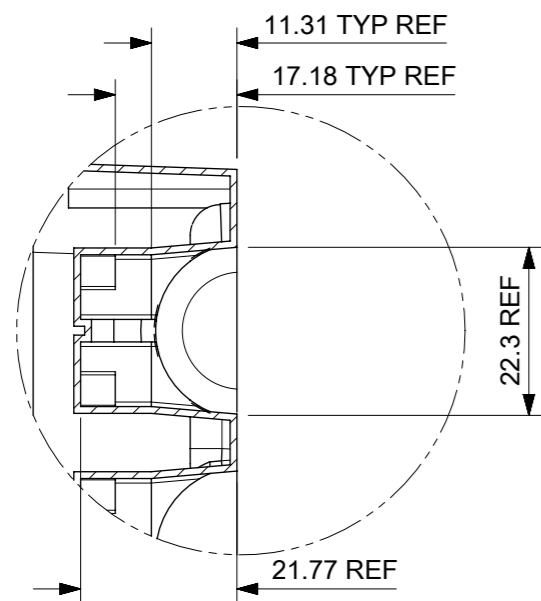
ETHERNET TERMINALS

Description	Value	
OCL @100 kHz, 0.1 V 8 mA DC bias (-40°C to +85°C)	350 μH min.	
Turns ratio	1CT:1CT	
Transmission characteristics @ 25°C, all four pairs		
Insertion Loss		
Frequency f, (MHz)	Limits (dB max.)	Typical Values (dB max.)
1.0-9.9	0.4+0.1*log(f)	0.5 @ 10 MHz
10-49.9	0.5+0.3*log(f/10)	0.7 @ 50 MHz
50-79.9	1+1.4*log(f/80)	1.0 @ 80 MHz
80-100	1.3+3*log(f/100)	1.3 @ 100 MHz
Return Loss		
Frequency f, (MHz)	Limits (dB min.)	Typical Values (dB min.)
1.0-39.9	18	18 @ 40 MHz
40-100	12-20*log(f/80)	10 @ 100 MHz
CMR		
Frequency f, (MHz)	Limits (dB min.)	Typical Values (dB min.)
1.0-100	30	30 @ 100 MHz
Next		
Frequency f, (MHz)	Limits (dB min.)	Typical Values (dB min.)
1.0-39.9	35	35 @ 40 MHz
40-100	33-20*log(f/50)	27 @ 100 MHz
Isolation PHY to wire side	2.25 kVDC/60sec	

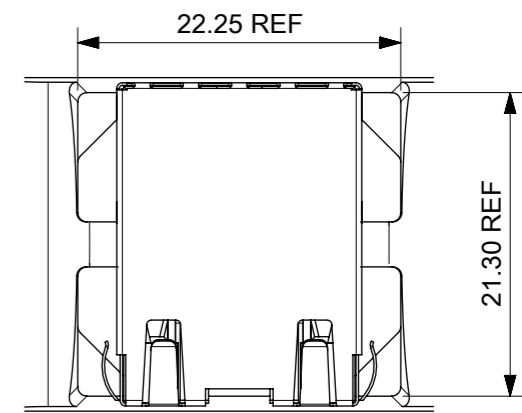
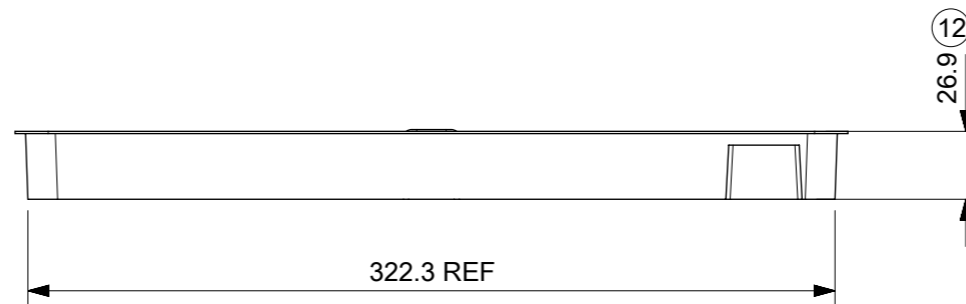


FUNCTIONAL SYMBOLS FA = 0 FC = 0 FP = 0	THIS DRAWING CONTAINS INFORMATION THAT IS PROPRIETARY TO MOLEX ELECTRONIC TECHNOLOGIES, LLC AND SHOULD NOT BE USED WITHOUT WRITTEN PERMISSION					
	DIMENSION UNITS	SCALE				
	mm	1:1	GENERAL TOLERANCES (UNLESS SPECIFIED)		INV MX-MAG 4 CORE FE W/SHIELD TABS	
	ANGULAR TOL ± 2.0°		4 PLACES ±		PRODUCT CUSTOMER DRAWING	
3 PLACES ±		EC NO: 721941		DOCUMENT NUMBER		
2 PLACES ± 0.1		DRWN: FAYEW 2022/09/20		934620003		
1 PLACE ± 0.2		CHK'D: KLANG 2022/09/20		DOC TYPE   DOC PART   REVISION		
0 PLACES ±		APPR: KLANG 2022/09/20		PSD   000   C1		
DRAFT WHERE APPLICABLE MUST REMAIN WITHIN DIMENSIONS		INITIAL REVISION:		MATERIAL NUMBER		
THIRD ANGLE PROJECTION		DRWN: KREILLY 2016/01/26		CUSTOMER		
DRAWING		APPR: STGRIFFIN 2016/09/26		SHEET NUMBER		
A2-SIZE		SERIES		3 OF 3		
93462		SEE TABLE ON SHEET 2				

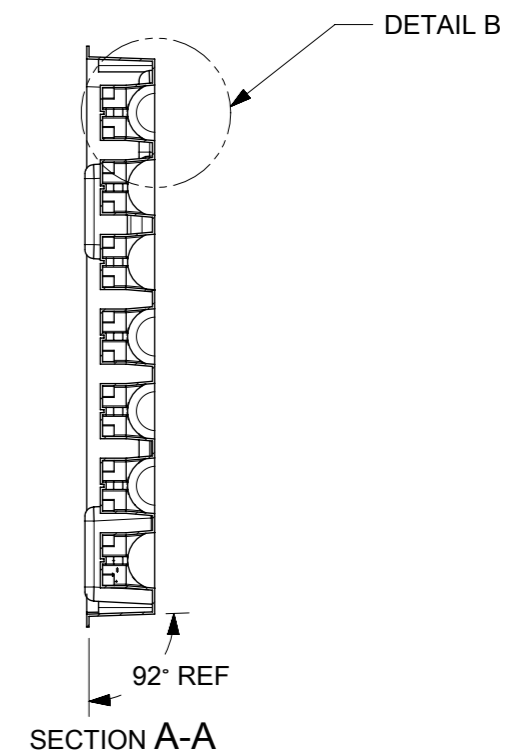
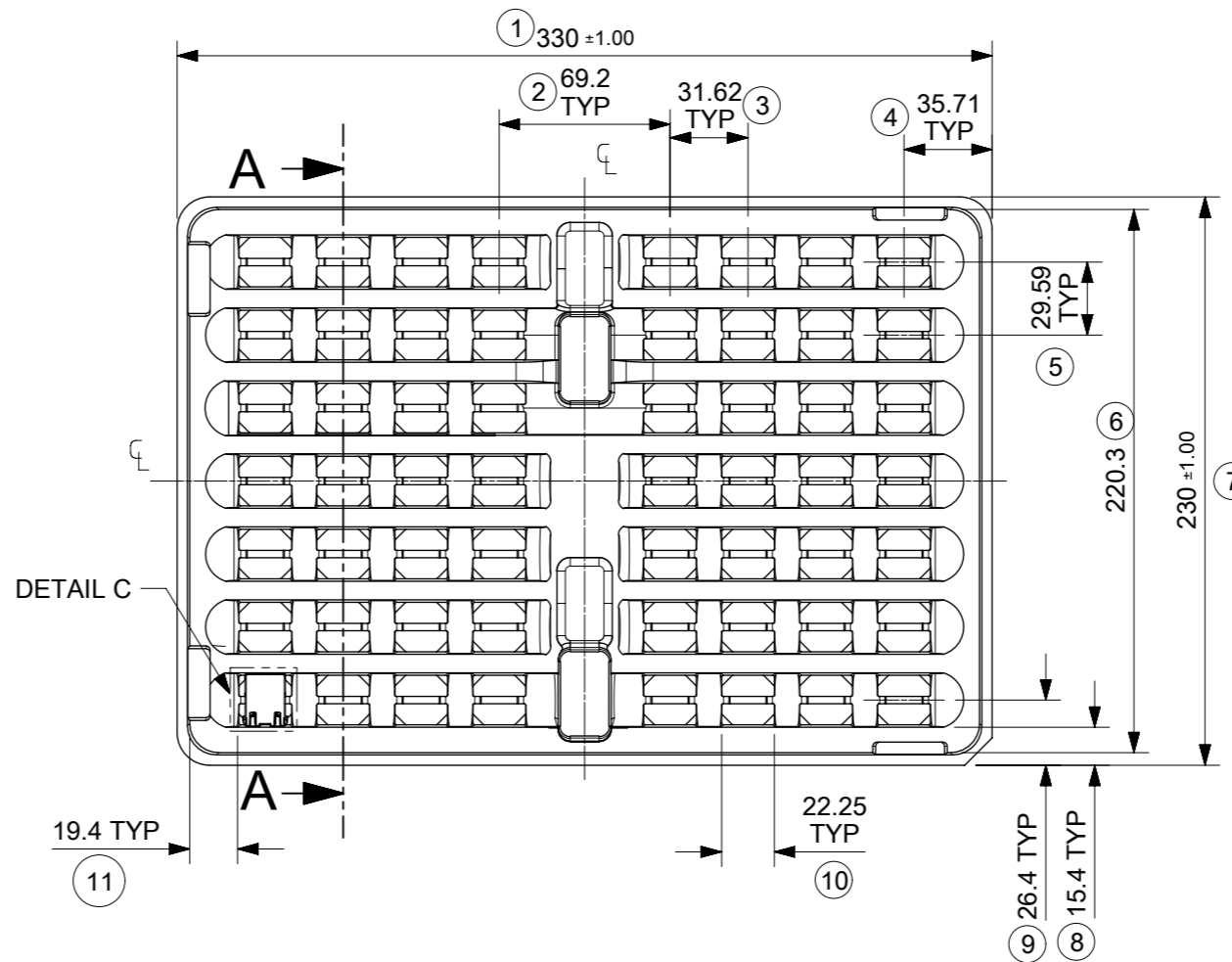
DOCUMENT STATUS	P1	RELEASE DATE	2022/09/20	13:41:23
-----------------	----	--------------	------------	----------



DETAIL B



DETAIL C  
SCALE 2:1

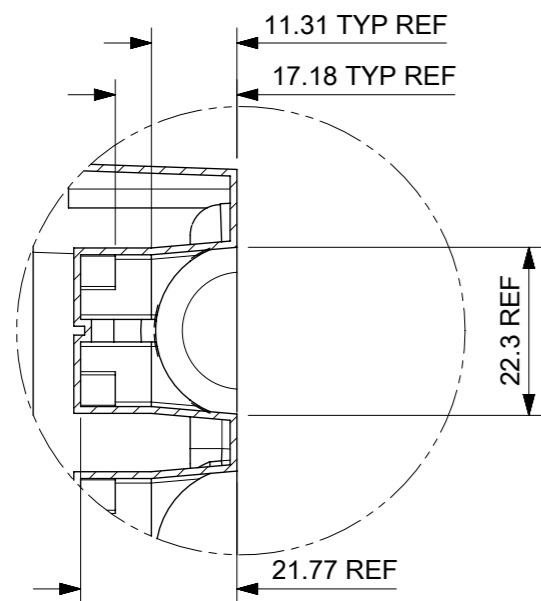


NOTES:

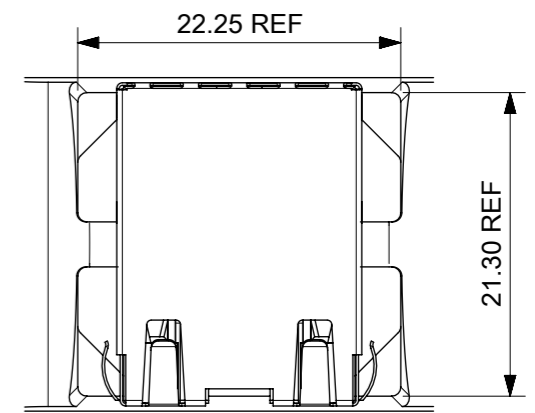
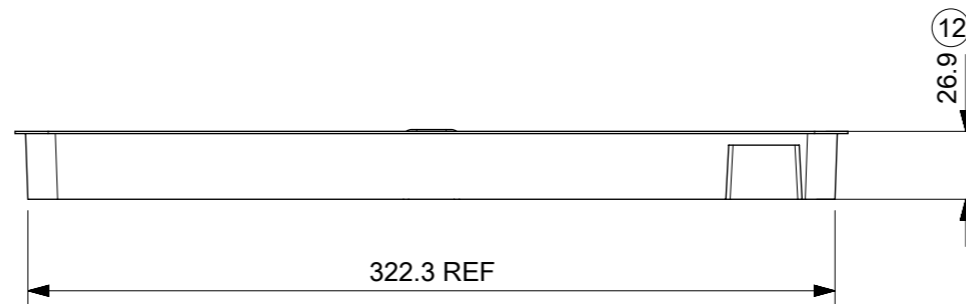
1. MATERIAL: PETA ANTISTATIC
2. THICKNESS: 0.9 mm ± 0.05 mm
3. COLOUR: CLEAR
4. BOW 2 mm MAXIMUM PER 330 mm
5. TWIST 2 mm MAXIMUM PER 330 mm
6. TRAY PART NO. AND RECYCLE LOGO TO BE CLEARLY MARKED ON TRAY  
RECYCLE LOGO SHOULD BE APPROPRIATE TO MATERIAL USED
7. WHERE RELEVANT, DIMENSIONS SHOULD BE SYMMETRICAL ABOUT THE CENTRELINE
8. GENERAL PROFILE TOLERANCE  $\overline{\cup}$  0.40 ON NON DIMENSIONED FEATURES

LAST INSPECTION NUMBER USED: 12

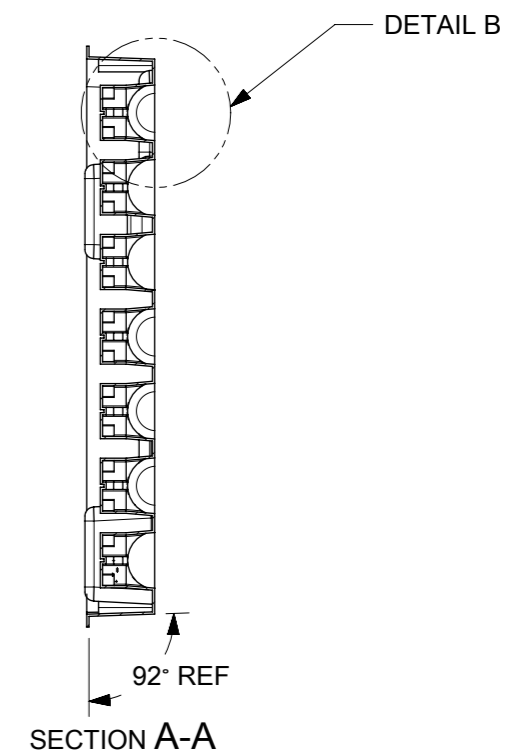
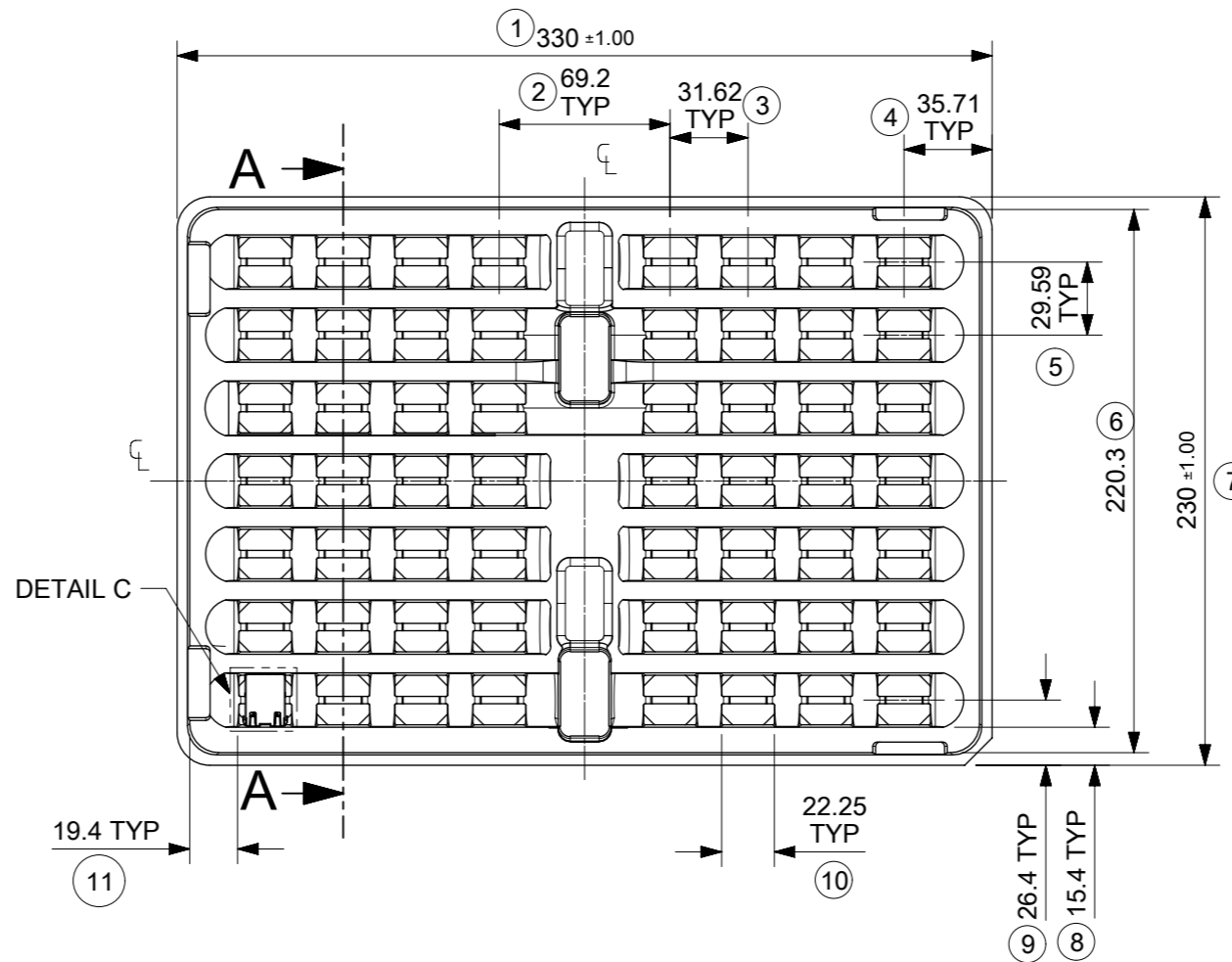
THIS DRAWING CONTAINS INFORMATION THAT IS PROPRIETARY TO MOLEX ELECTRONIC TECHNOLOGIES, LLC AND SHOULD NOT BE USED WITHOUT WRITTEN PERMISSION									
DIMENSION UNITS		SCALE		CURRENT REV DESC: REMOVED REFERENCE TO QUANTITY OF TRAYS PER STACK				<b>molex</b>	
mm		1:3							
GENERAL TOLERANCES (UNLESS SPECIFIED)				EC NO: 602124				MXMAG STANDARD AND INVERTED TRAY	
ANGULAR TOL ± 1.0°				DRWN: DSHEA		2018/09/07			
4 PLACES ±				CHK'D: DBYRNES		2019/01/25			
3 PLACES ±				APPR: DBYRNES		2019/01/25			
2 PLACES ± 0.2				INITIAL REVISION:				PRODUCT CUSTOMER DRAWING	
1 PLACE ± 0.5				DRWN: KREILLY		2016/05/06		DOCUMENT NUMBER	
0 PLACES ±				APPR: STGRIFFIN		2016/12/07		934620003	
DRAFT WHERE APPLICABLE MUST REMAIN WITHIN DIMENSIONS		THIRD ANGLE PROJECTION		DRAWING		SERIES		MATERIAL NUMBER	
				A3-SIZE		93462		990250150	
				CUSTOMER		GENERAL MARKET		SHEET NUMBER	
								1 OF 1	



DETAIL B



DETAIL C  
SCALE 2:1



NOTES:

1. MATERIAL: PETA ANTISTATIC
2. THICKNESS: 0.9 mm ± 0.05 mm
3. COLOUR: CLEAR
4. BOW 2 mm MAXIMUM PER 330 mm
5. TWIST 2 mm MAXIMUM PER 330 mm
6. TRAY PART NO. AND RECYCLE LOGO TO BE CLEARLY MARKED ON TRAY  
RECYCLE LOGO SHOULD BE APPROPRIATE TO MATERIAL USED
7. WHERE RELEVANT, DIMENSIONS SHOULD BE SYMMETRICAL ABOUT THE CENTRELINE
8. GENERAL PROFILE TOLERANCE  $\overline{\cup}$  0.40 ON NON DIMENSIONED FEATURES

LAST INSPECTION NUMBER USED: 12

THIS DRAWING CONTAINS INFORMATION THAT IS PROPRIETARY TO MOLEX ELECTRONIC TECHNOLOGIES, LLC AND SHOULD NOT BE USED WITHOUT WRITTEN PERMISSION											
DIMENSION UNITS		SCALE		CURRENT REV DESC: REMOVED REFERENCE TO QUANTITY OF TRAYS PER STACK				<b>molex</b>			
mm		1:3									
GENERAL TOLERANCES (UNLESS SPECIFIED)											
ANGULAR TOL				± 1.0°							
4 PLACES				±							
3 PLACES				±							
2 PLACES				± 0.2							
1 PLACE				± 0.5							
0 PLACES				±							
DRAFT WHERE APPLICABLE MUST REMAIN WITHIN DIMENSIONS				THIRD ANGLE PROJECTION		DRAWING		SERIES		MATERIAL NUMBER	
						A3-SIZE		93462		990250150	
						2018/09/07		2019/01/25		2019/01/25	
						2016/05/06		2016/12/07		934620003	
						DRWN: DSHEA		CHK'D: DBYRNES		APPR: DBYRNES	
						DRWN: KREILLY		APPR: STGRIFFIN		PSD K B	
						EC NO: 602124		2018/09/07		2019/01/25	
						DRWN: DSHEA		2018/09/07		2019/01/25	
						CHK'D: DBYRNES		2019/01/25		2019/01/25	
						APPR: DBYRNES		2019/01/25		2019/01/25	
						INITIAL REVISION:				DOCUMENT NUMBER	
						DRWN: KREILLY		2016/05/06		934620003	
						APPR: STGRIFFIN		2016/12/07		PSD K B	
						DRAWING		SERIES		CUSTOMER	
						A3-SIZE		93462		GENERAL MARKET	
						MATERIAL NUMBER		CUSTOMER		SHEET NUMBER	
						990250150		GENERAL MARKET		1 OF 1	