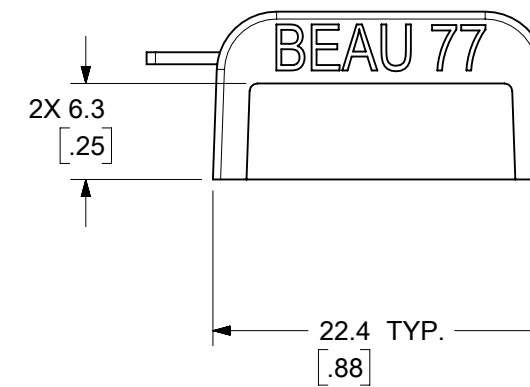
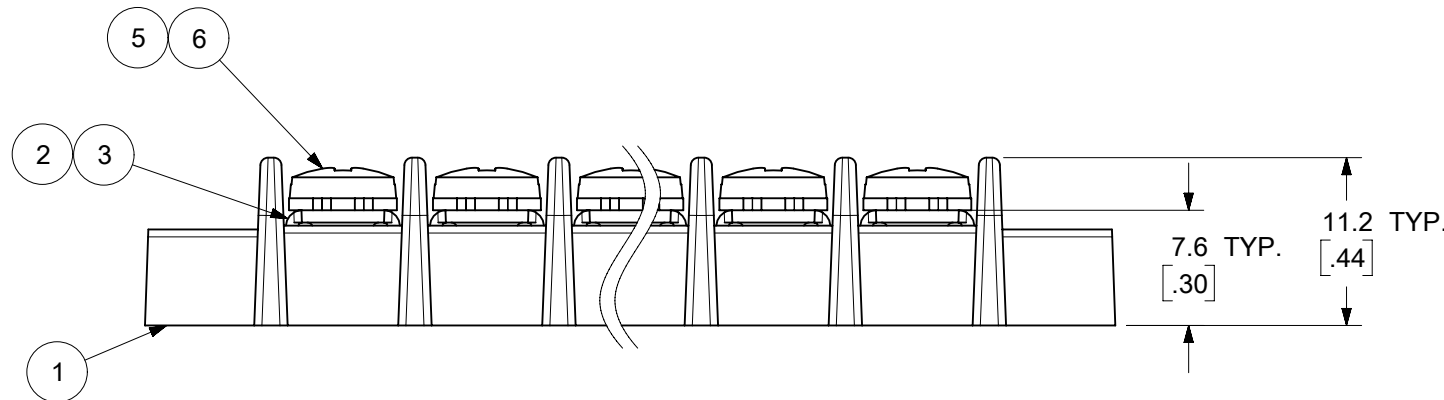
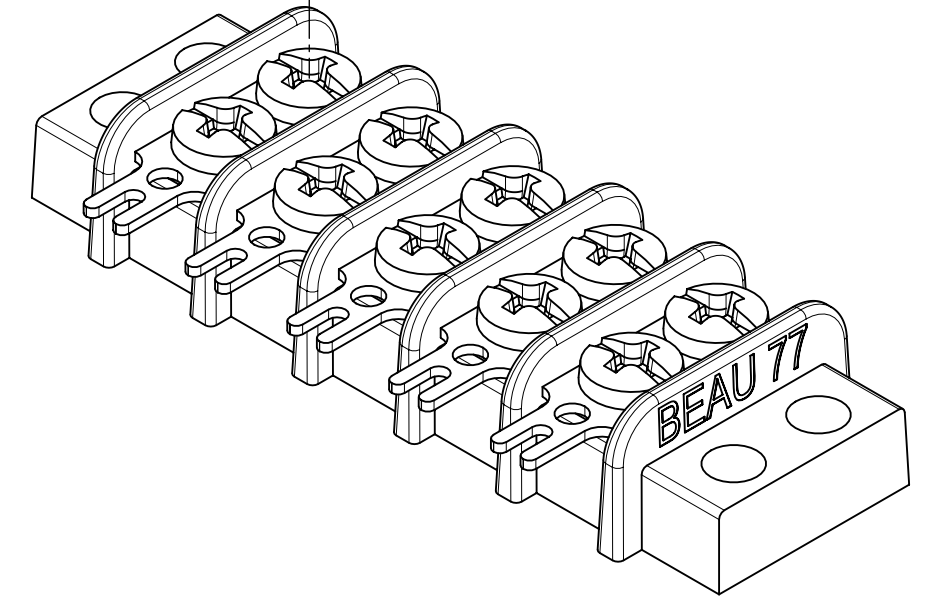
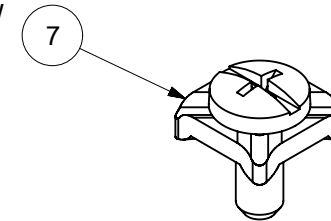


REF -50 OPTION SCREW
(WHERE APPLICABLE)



NOTES:

1. MATERIAL: SEE TABLE
2. FINISHES: SEE TABLE
3. PRODUCT SPECIFICATION: NOT REQUIRED
4. INCH DIMENSIONS ARE SHOWN IN BRACKETS [.XXX].
5. "XX" REFERS TO THE QUANTITY OF CIRCUITS.
6. ALL COMPONENTS ARE ROHS COMPLIANT.


| TOLERANCES | | | |
|------------|-------|-----------|-------|
| MM | TOL | INCH | TOL |
| 0-6 | ±0.25 | 0-.24 | ±.010 |
| >6-30 | ±0.40 | .24-1.18 | ±.016 |
| >30-120 | ±0.50 | 1.18-4.76 | ±.020 |
| >120 | ±0.80 | >4.76 | ±.031 |

| 7 | XX*2 | SCREW, #6-32X.250 PAN HD, PHIL-SLOT W/WSHR (-50 OPTION) | STEEL | ZINC CHROMATE |
|------|------|---|---------------|---------------|
| 6 | XX*2 | SCREW, #6-32X.250 BGHD, PHIL-SLOT (-49 OPTION) | BRASS | NICKEL |
| 5 | XX*2 | SCREW, #6-32X.250, BGHD PHIL-SLOT (STANDARD) | STEEL | ZINC CHROMATE |
| 4 | XX | TERMINAL, SOLDER VW | BRASS | TIN |
| 3 | XX | TERMINAL PLATE (-49 OPTION) | BRASS | TIN |
| 2 | XX | TERMINAL PLATE (STANDARD) | BRASS | NICKEL |
| 1 | 1 | INSULATOR | THERMOPLASTIC | BLACK |
| ITEM | QTY | DESCRIPTION | MATERIAL | FINISH |

| | | | | | | | | | |
|---|---------------------------------------|-------------------------|--|--|--|--|--|--|--|
| THIS DRAWING CONTAINS INFORMATION THAT IS PROPRIETARY TO MOLEX ELECTRONIC TECHNOLOGIES, LLC AND SHOULD NOT BE USED WITHOUT WRITTEN PERMISSION | | | | | | | | | |
| FUNCTIONAL SYMBOLS | DIMENSION UNITS | SCALE | CURRENT REV DESC: MIGRATED TO ECTR/NX & ADDED TOLERANCE TABLE | | | | | | |
| $\frac{A}{A} = 0$ | MM/INCH | 2:1 | <p>molex</p> <p>9.53MM [.375] DOUBLE ROW LOW PROFILE BTS ASSY</p> <p>PRODUCT CUSTOMER DRAWING</p> <p>DOCUMENT NUMBER: SD-38770-002 DOC TYPE: PSD DOC PART: 001 REVISION: A2</p> <p>EC NO: 640540 DRWN: ABENJAMINLW 2020/04/28</p> <p>CHK'D: MBRZOZOWSKI 2020/05/13</p> <p>APPR: JFMURPHY 2020/07/03</p> <p>INITIAL REVISION: 2006/05/08</p> <p>DRWN: EHILE 2006/05/08</p> <p>APPR: RDEROSS 2006/05/11</p> <p>DRAFT WHERE APPLICABLE MUST REMAIN WITHIN DIMENSIONS</p> <p>THIRD ANGLE PROJECTION</p> <p>DRAWING: B-SIZE SERIES: 38770 MATERIAL NUMBER: SEE CHART CUSTOMER: GENERAL MARKET SHEET NUMBER: 1 OF 2</p> | | | | | | |
| $\frac{E}{E} = 0$ | GENERAL TOLERANCES (UNLESS SPECIFIED) | | | | | | | | |
| $\frac{F}{F} = 0$ | MM | INCH | | | | | | | |
| DIVISIONAL SYMBOLS | 4 PLACES | ± --- ± --- | | | | | | | |
| | 3 PLACES | ± --- ± SEE CHART | | | | | | | |
| | 2 PLACES | ± SEE CHART ± SEE CHART | | | | | | | |
| | 1 PLACE | ± SEE CHART ± --- | | | | | | | |
| | 0 PLACES | ± --- ± --- | | | | | | | |
| | ANGULAR TOL | ± --- | | | | | | | |

| NO. OF CIRCUITS "XX" | DIM. "A" | | DIM. "B" | | DIM. "C" | | DIM. "D" | | ASSEMBLY MATERIAL NO. (STANDARD) | ASSEMBLY MATERIAL NO. (-49 OPTION) | ASSEMBLY MATERIAL NO. (-50 OPTION) |
|----------------------------|----------|---------|----------|----------|----------|---------|----------|---------|--|--|--|
| | mm | INCH | mm | INCH | mm | INCH | mm | INCH | | | |
| 2 | 35.7 | [1.41] | 9.53 | [.375] | 28.6 | [1.13] | 21.3 | [.84] | 387700702 | 387700802 | 387702702 |
| 3 | 45.2 | [1.78] | 19.05 | [.750] | 38.1 | [1.50] | 30.8 | [1.21] | 387700703 | 387700803 | 387702703 |
| 4 | 54.7 | [2.16] | 28.58 | [1.125] | 47.6 | [1.88] | 40.3 | [1.59] | 387700704 | 387700804 | 387702704 |
| 5 | 64.3 | [2.53] | 38.10 | [1.500] | 57.2 | [2.25] | 49.8 | [1.96] | 387700705 | 387700805 | 387702705 |
| 6 | 73.8 | [2.91] | 47.63 | [1.875] | 66.7 | [2.63] | 59.4 | [2.34] | 387700706 | 387700806 | 387702706 |
| 7 | 83.3 | [3.28] | 57.15 | [2.250] | 76.2 | [3.00] | 68.9 | [2.71] | 387700707 | 387700807 | 387702707 |
| 8 | 92.8 | [3.66] | 66.68 | [2.625] | 85.7 | [3.38] | 78.4 | [3.09] | 387700708 | 387700808 | 387702708 |
| 9 | 102.4 | [4.03] | 76.20 | [3.000] | 95.3 | [3.75] | 87.9 | [3.46] | 387700709 | 387700809 | 387702709 |
| 10 | 111.9 | [4.41] | 85.73 | [3.375] | 104.8 | [4.13] | 97.5 | [3.84] | 387700710 | 387700810 | 387702710 |
| 11 | 121.4 | [4.78] | 95.25 | [3.750] | 114.3 | [4.50] | 107.0 | [4.21] | 387700711 | 387700811 | 387702711 |
| 12 | 130.9 | [5.16] | 104.78 | [4.125] | 123.8 | [4.88] | 116.5 | [4.59] | 387700712 | 387700812 | 387702712 |
| 13 | 140.5 | [5.53] | 114.30 | [4.500] | 133.4 | [5.25] | 126.0 | [4.96] | 387700713 | 387700813 | 387702713 |
| 14 | 150.0 | [5.91] | 123.83 | [4.875] | 142.9 | [5.63] | 135.6 | [5.34] | 387700714 | 387700814 | 387702714 |
| 15 | 159.5 | [6.28] | 133.35 | [5.250] | 152.4 | [6.00] | 145.1 | [5.71] | 387700715 | 387700815 | 387702715 |
| 16 | 169.0 | [6.66] | 142.88 | [5.625] | 161.9 | [6.38] | 154.6 | [6.09] | 387700716 | 387700816 | 387702716 |
| 17 | 178.6 | [7.03] | 152.40 | [6.000] | 171.5 | [6.75] | 164.1 | [6.46] | 387700717 | 387700817 | 387702717 |
| 18 | 188.1 | [7.41] | 161.93 | [6.375] | 181.0 | [7.13] | 173.7 | [6.84] | 387700718 | 387700818 | 387702718 |
| 19 | 197.6 | [7.78] | 171.45 | [6.750] | 190.5 | [7.50] | 183.2 | [7.21] | 387700719 | 387700819 | 387702719 |
| 20 | 207.1 | [8.16] | 180.98 | [7.125] | 200.0 | [7.88] | 192.7 | [7.59] | 387700720 | 387700820 | 387702720 |
| 21 | 216.7 | [8.53] | 190.50 | [7.500] | 209.6 | [8.25] | 202.2 | [7.96] | 387700721 | 387700821 | 387702721 |
| 22 | 226.2 | [8.91] | 200.03 | [7.875] | 219.1 | [8.63] | 211.8 | [8.34] | 387700722 | 387700822 | 387702722 |
| 23 | 235.7 | [9.28] | 209.55 | [8.250] | 228.6 | [9.00] | 221.3 | [8.71] | 387700723 | 387700823 | 387702723 |
| 24 | 245.2 | [9.66] | 219.08 | [8.625] | 238.1 | [9.38] | 230.8 | [9.09] | 387700724 | 387700824 | 387702724 |
| 25 | 254.2 | [10.03] | 228.60 | [9.000] | 247.7 | [9.75] | 240.3 | [9.46] | 387700725 | 387700825 | 387702725 |
| 26 | 264.3 | [10.41] | 238.13 | [9.375] | 257.2 | [10.13] | 249.9 | [9.84] | 387700726 | 387700826 | 387702726 |
| 27 | 273.8 | [10.78] | 247.65 | [9.750] | 266.7 | [10.50] | 259.4 | [10.21] | 387700727 | 387700827 | 387702727 |
| 28 | 283.3 | [11.16] | 257.18 | [10.125] | 276.2 | [10.88] | 268.9 | [10.59] | 387700728 | 387700828 | 387702728 |
| 29 | 292.9 | [11.53] | 266.70 | [10.500] | 285.8 | [11.25] | 278.4 | [10.96] | 387700729 | 387700829 | 387702729 |
| 30 | 302.4 | [11.91] | 276.23 | [10.875] | 295.3 | [11.63] | 288.0 | [11.34] | 387700730 | 387700830 | 387702730 |

| TOLERANCES | | | |
|------------|-------|-----------|-------|
| MM | TOL | INCH | TOL |
| 0-6 | ±0.25 | 0-.24 | ±.010 |
| >6-30 | ±0.40 | .24-1.18 | ±.016 |
| >30-120 | ±0.50 | 1.18-4.76 | ±.020 |
| >120 | ±0.80 | >4.76 | ±.031 |

| | | | | | | | | | | | | | | | | | | | | | | | | | | | | | | | | | | | |
|---------------------------------------|--|-------------|--|-------------|--|-------------|--|---|--|-------------|--|--|--|--|--|-----------|--|-------------|--|-----------|--|-------------|--|-----------------|--|--|--|----------|--|--|--|--------------|--|--|--|
| FUNCTIONAL SYMBOLS | | | | | | | | | | | | THIS DRAWING CONTAINS INFORMATION THAT IS PROPRIETARY TO MOLEX ELECTRONIC TECHNOLOGIES, LLC AND SHOULD NOT BE USED WITHOUT WRITTEN PERMISSION | | | | | | | | | | | | | | | | | | | | | | | |
| DIMENSION UNITS | | | | SCALE | | | | CURRENT REV DESC: MIGRATED TO ECTR/NX & ADDED TOLERANCE TABLE | | | |  9.53MM [.375] DOUBLE ROW LOW PROFILE BTS ASSY | | | | | | | | | | | | | | | | | | | | | | | |
| MM/INCH | | | | 2:1 | | | | | | | | | | | | | | | | | | | | | | | | | | | | | | | |
| GENERAL TOLERANCES (UNLESS SPECIFIED) | | | | | | | | | | | | EC NO: 640540 DRWN: ABENJAMINLW 2020/04/28 CHK'D: MBRZOZOWSKI 2020/05/13 APPR: JFMURPHY 2020/07/03 INITIAL REVISION: DRWN: EHILE 2006/05/08 APPR: RDEROSS 2006/05/11 | | | | | | | | | | | | | | | | | | | | | | | |
| 4 PLACES | | ± --- ± --- | | 3 PLACES | | ± --- ± --- | | 2 PLACES | | ± --- ± --- | | | | | | 1 PLACE | | ± --- ± --- | | 0 PLACES | | ± --- ± --- | | | | | | | | | | | | | |
| | | MM | | | | INCH | | | | SEE CHART | | | | | | SEE CHART | | SEE CHART | | SEE CHART | | | | | | | | | | | | | | | |
| | | MM | | | | INCH | | | | SEE CHART | | | | | | SEE CHART | | SEE CHART | | SEE CHART | | | | | | | | | | | | | | | |
| | | MM | | | | INCH | | | | SEE CHART | | | | | | SEE CHART | | SEE CHART | | SEE CHART | | | | | | | | | | | | | | | |
| DIVISIONAL SYMBOLS | | | | ANGULAR TOL | | | | DRAFT WHERE APPLICABLE MUST REMAIN WITHIN DIMENSIONS | | | | THIRD ANGLE PROJECTION | | | | DRAWING | | | | SERIES | | | | MATERIAL NUMBER | | | | CUSTOMER | | | | SHEET NUMBER | | | |
| | | | | ± --- | | | | | | | | B-SIZE | | | | 38770 | | | | SEE CHART | | | | GENERAL MARKET | | | | 2 OF 2 | | | | | | | |

| NO. OF CIRCUITS "XX" | DIM "A" | | DIM "B" | | DIM "C" | | DIM "D" | | ASSEMBLY MATERIAL NO. (STANDARD) | ASSEMBLY MATERIAL NO. (-49 OPTION) | ASSEMBLY MATERIAL NO. (-50 OPTION) |
|----------------------|---------|-------|---------|-------|---------|-------|---------|-------|----------------------------------|------------------------------------|------------------------------------|
| | mm | INCH | mm | INCH | mm | INCH | mm | INCH | | | |
| 2 | 35.7 | 1.41 | 9.5 | 0.38 | 28.6 | 1.13 | 21.3 | 0.84 | 387700702 | 387700802 | 387702702 |
| 3 | 45.2 | 1.78 | 19.1 | 0.75 | 38.1 | 1.50 | 30.8 | 1.21 | 387700703 | 387700803 | 387702703 |
| 4 | 54.7 | 2.16 | 28.6 | 1.13 | 47.6 | 1.88 | 40.3 | 1.59 | 387700704 | 387700804 | 387702704 |
| 5 | 64.3 | 2.53 | 38.1 | 1.50 | 57.2 | 2.25 | 49.8 | 1.96 | 387700705 | 387700805 | 387702705 |
| 6 | 73.8 | 2.91 | 47.6 | 1.88 | 66.7 | 2.63 | 59.4 | 2.34 | 387700706 | 387700806 | 387702706 |
| 7 | 83.3 | 3.28 | 57.2 | 2.25 | 76.2 | 3.00 | 68.9 | 2.71 | 387700707 | 387700807 | 387702707 |
| 8 | 92.8 | 3.66 | 66.7 | 2.63 | 85.7 | 3.38 | 78.4 | 3.09 | 387700708 | 387700808 | 387702708 |
| 9 | 102.4 | 4.03 | 76.2 | 3.00 | 95.3 | 3.75 | 87.9 | 3.46 | 387700709 | 387700809 | 387702709 |
| 10 | 111.9 | 4.41 | 85.7 | 3.38 | 104.8 | 4.13 | 97.5 | 3.84 | 387700710 | 387700810 | 387702710 |
| 11 | 121.4 | 4.78 | 95.3 | 3.75 | 114.3 | 4.50 | 107.0 | 4.21 | 387700711 | 387700811 | 387702711 |
| 12 | 130.9 | 5.16 | 104.8 | 4.13 | 123.8 | 4.88 | 116.5 | 4.59 | 387700712 | 387700812 | 387702712 |
| 13 | 140.5 | 5.53 | 114.3 | 4.50 | 133.4 | 5.25 | 126.0 | 4.96 | 387700713 | 387700813 | 387702713 |
| 14 | 150.0 | 5.91 | 123.8 | 4.88 | 142.9 | 5.63 | 135.6 | 5.34 | 387700714 | 387700814 | 387702714 |
| 15 | 159.5 | 6.28 | 133.4 | 5.25 | 152.4 | 6.00 | 145.1 | 5.71 | 387700715 | 387700815 | 387702715 |
| 16 | 169.0 | 6.66 | 142.9 | 5.63 | 161.9 | 6.38 | 154.6 | 6.09 | 387700716 | 387700816 | 387702716 |
| 17 | 178.6 | 7.03 | 152.4 | 6.00 | 171.5 | 6.75 | 164.1 | 6.46 | 387700717 | 387700817 | 387702717 |
| 18 | 188.1 | 7.41 | 161.9 | 6.38 | 181.0 | 7.13 | 173.7 | 6.84 | 387700718 | 387700818 | 387702718 |
| 19 | 197.6 | 7.78 | 171.5 | 6.75 | 190.5 | 7.50 | 183.2 | 7.21 | 387700719 | 387700819 | 387702719 |
| 20 | 207.1 | 8.16 | 181.0 | 7.13 | 200.0 | 7.88 | 192.7 | 7.59 | 387700720 | 387700820 | 387702720 |
| 21 | 216.7 | 8.53 | 190.5 | 7.50 | 209.6 | 8.25 | 202.2 | 7.96 | 387700721 | 387700821 | 387702721 |
| 22 | 226.2 | 8.91 | 200.0 | 7.88 | 219.1 | 8.63 | 211.8 | 8.34 | 387700722 | 387700822 | 387702722 |
| 23 | 235.7 | 9.28 | 209.6 | 8.25 | 228.6 | 9.00 | 221.3 | 8.71 | 387700723 | 387700823 | 387702723 |
| 24 | 245.2 | 9.66 | 219.1 | 8.63 | 238.1 | 9.38 | 230.8 | 9.09 | 387700724 | 387700824 | 387702724 |
| 25 | 254.8 | 10.03 | 228.6 | 9.00 | 247.7 | 9.75 | 240.3 | 9.46 | 387700725 | 387700825 | 387702725 |
| 26 | 264.3 | 10.41 | 238.1 | 9.38 | 257.2 | 10.13 | 249.9 | 9.84 | 387700726 | 387700826 | 387702726 |
| 27 | 273.8 | 10.78 | 247.7 | 9.75 | 266.7 | 10.50 | 259.4 | 10.21 | 387700727 | 387700827 | 387702727 |
| 28 | 283.3 | 11.16 | 257.2 | 10.13 | 276.2 | 10.88 | 268.9 | 10.59 | 387700728 | 387700828 | 387702728 |
| 29 | 292.9 | 11.53 | 266.7 | 10.50 | 285.8 | 11.25 | 278.4 | 10.96 | 387700729 | 387700829 | 387702729 |
| 30 | 302.4 | 11.91 | 276.2 | 10.88 | 295.3 | 11.63 | 288.0 | 11.34 | 387700730 | 387700830 | 387702730 |

| | | | | | | | | | |
|--|------------------|--|---------------------------------------|--------|---|--|--------------|----------------------|------------------------|
| INITIAL RELEASE EC NO: ETC2006-0344 DRW:EHILE 2006/05/08 CHKD:RDEROSS 2006/05/11 APPR:RDEROSS 2006/05/11 | DESCRIPTION A | QUALITY SYMBOLS ▽=0 ▽=0 | GENERAL TOLERANCES (UNLESS SPECIFIED) | | DIMENSION STYLE MM/IN | | SCALE 2:1 | DESIGN UNITS INCH | THIRD ANGLE PROJECTION |
| | | 4 PLACES ± --- ±.0015 3 PLACES ± 0.038 ±.005 2 PLACES ± 0.13 ±.01 1 PLACE ± 0.3 ± --- | DRAWN BY DATE EHILE 2006/04/04 | | TITLE 9.53MM [.375] DOUBLE ROW LOW PROFILE BTS ASSY | | | | |
| | | ANGULAR ± 2 ° | CHECKED BY DATE RDEROSS 2006/04/04 | | APPROVED BY DATE RDEROSS 2006/04/04 | | | | |
| | | DRAFT WHERE APPLICABLE MUST REMAIN WITHIN DIMENSIONS | MATERIAL NO. SEE CHART | | DOCUMENT NO. SD-38770-002 | | | | |
| | | | | SIZE B | THIS DRAWING CONTAINS INFORMATION THAT IS PROPRIETARY TO MOLEX INCORPORATED AND SHOULD NOT BE USED WITHOUT WRITTEN PERMISSION | | | | |