

TLL150-5N-XXXX-71 Fuel Level Sensor, Precut-to-length

Document ref.: DDS_TLL150-5N-XXXX-71

05-Apr-21

Rev. 1

The T/LL150 liquid level sensor is designed for use in diesel fuel tanks and provides a variable resistive output suitable for driving industry standard fuel gauges or connecting into PLCs.

This capacitance type level sensor is supplied in pre-cut lengths and is designed to be calibrated by the customer making it ideal for custom and urgent projects.

Part Description	TLL150-5N-XXXX-71 200-975MM, 240-32 OHMS, DIESEL, 1/2"NPT
Prod. Group	Fuel Level Sensor, precut-to-length
Technology	Capacitance
Liquid	Diesel
Output Type	Resistance
Connector	Metri-pack 150 - 4 Pins
Thread	1/2" NPT
Length	200-975 mm

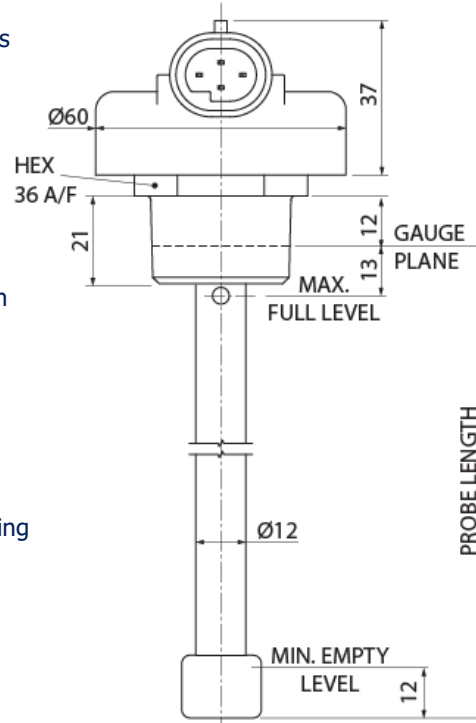
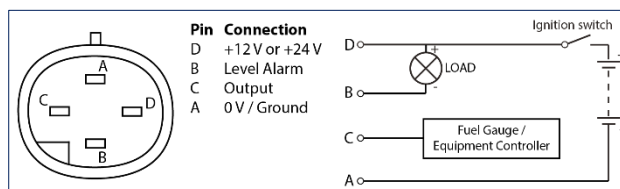
Performance	
Output	240-32 Ohms
Accuracy	+/- 2%

Materials	
Enclosure	30% Glass Filled Nylon
Electrode	Aluminum Alloy 6063
Sensor	316 Stainless Steel
Spacers	Polypropylene
End Plug	PVC or G/F Nylon
Seals	Viton and NBR

Ratings	
Sealing	IP67 if fitted with mating connector
Pressure	1 Bar (max)
Shock	50g, 6.3 ms
Vibration	7.6 Grms
Temperature	-20 to +85 C

Electrical	
Supply Voltage	9-34 VDC
Supply Current	30 mA
Signal Protection	Over Voltage 80 VDC for 120s Reverse Polarity
Alarm Output	12.5%, Ground on Fall

Harness Information	
Connector	M/P 150-4P
Output	Pin C
Alarm Output	Pin B
+ve supply	Pin D
Ground	Pin A



Part Number	Probe Length
TLL150-5N-0200-71	200mm
TLL150-5N-0225-71	225mm
TLL150-5N-0250-71	250mm
TLL150-5N-0275-71	275mm
TLL150-5N-0300-71	300mm
TLL150-5N-0325-71	325mm
TLL150-5N-0350-71	350mm
TLL150-5N-0375-71	375mm
TLL150-5N-0400-71	400mm
TLL150-5N-0425-71	425mm
TLL150-5N-0450-71	450mm
TLL150-5N-0475-71	475mm
TLL150-5N-0525-71	525mm
TLL150-5N-0550-71	550mm
TLL150-5N-0575-71	575mm
TLL150-5N-0600-71	600mm
TLL150-5N-0625-71	625mm
TLL150-5N-0650-71	650mm
TLL150-5N-0675-71	675mm
TLL150-5N-0700-71	700mm
TLL150-5N-0725-71	725mm
TLL150-5N-0750-71	750mm
TLL150-5N-0775-71	775mm
TLL150-5N-0800-71	800mm
TLL150-5N-0825-71	825mm
TLL150-5N-0850-71	850mm
TLL150-5N-0875-71	875mm
TLL150-5N-0900-71	900mm
TLL150-5N-0925-71	925mm
TLL150-5N-0950-71	950mm
TLL150-5N-0975-71	975mm