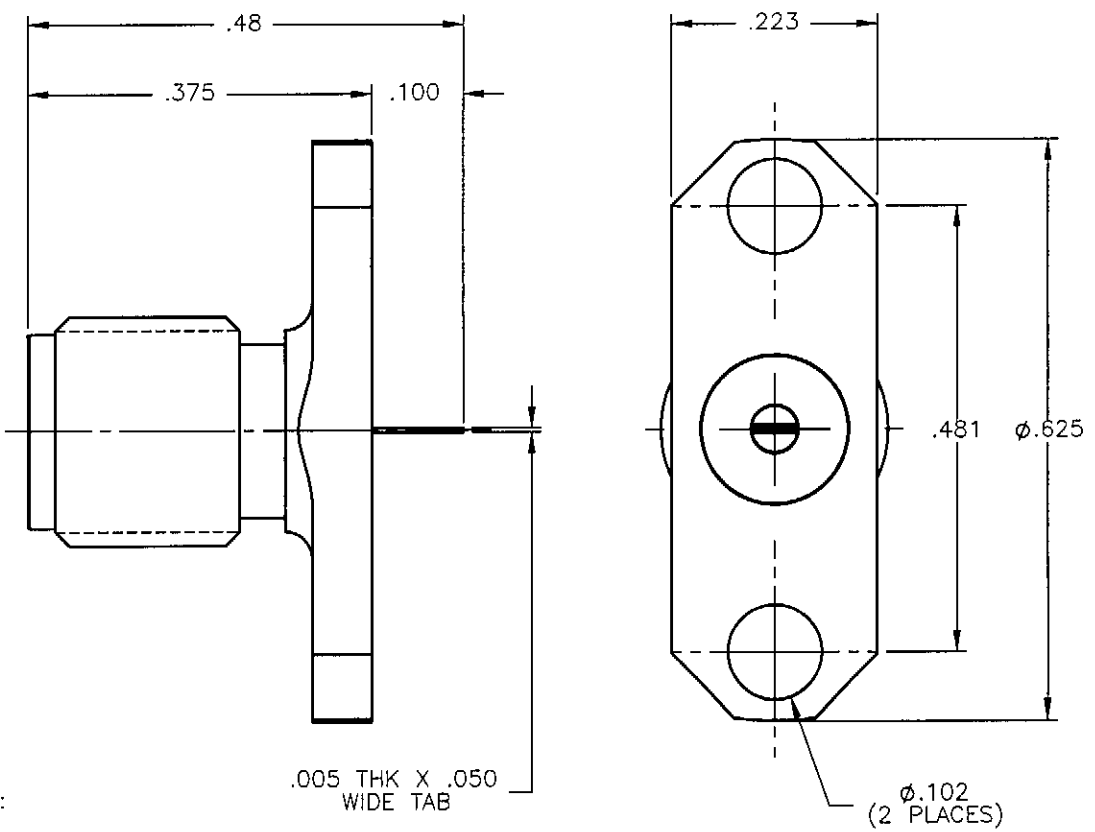


REVISIONS			
REV.	DESCRIPTION	DATE	APPROVED
A	INITIAL RELEASE	03/31/09	M.J.



NOTES:

MATERIALS:


1. BODY = STAINLESS STEEL PER ASTM A582, ALLOY 303, CONDITION "A".
2. INSULATOR = VIRGIN WHITE TEFLON PER ASTM D1710, GRADE 1, TYPE I, CLASS "B".
3. CONTACT = BERYLLIUM COPPER PER ASTM B196, ALLOY C17300, TEMPER TD04.

FINISHES:


1. BODY = GOLD PLATE PER MIL-G-45204, TYPE II, CLASS 0, GRADE C, OVER .000050 TO .00010 STRESS FREE NICKEL PER QQ-N-290.
2. CONTACT = GOLD PLATE PER MIL-G-45204, TYPE II, CLASS 1, GRADE C, OVER .00010 TO .00020 STRESS FREE SULFAMATE NICKEL PER QQ-N-290.

Property of Radiall Incorporated
 This document cannot be reproduced or
 communicated to a third party without prior
 written permission of RADIALL Incorporated.

UNLESS OTHERWISE SPECIFIED DIMENSIONS ARE IN INCHES TOLERANCES ON	DWN:	DATE
	M.J.	03/31/09
DECIMAL	CHKD:	DATE
	D.N.	03/31/09
ANGLE	APVD:	DATE
	J.M.	03/31/09
REFERENCE:	MATERIALS & FINISHES:	
ORIGINATED: M.J. DATE: 03/31/09	SEE NOTES	


APPLIED ENGINEERING PRODUCTS
 104 John W. Murphy Dr.
 New Haven, CT 06513
 a RADIALL company

**SMA STRAIGHT JACK
 (2) HOLE FLANGE MOUNT
 TAB CONTACT RECEPTACLE**

SIZE A	FSCM NO. 19505	DWG NO. 9108-1113-000	REV A
SCALE 5:1		THIRD ANGLE PROJECTION 	SHEET 1 OF 1

9108-1113-000