

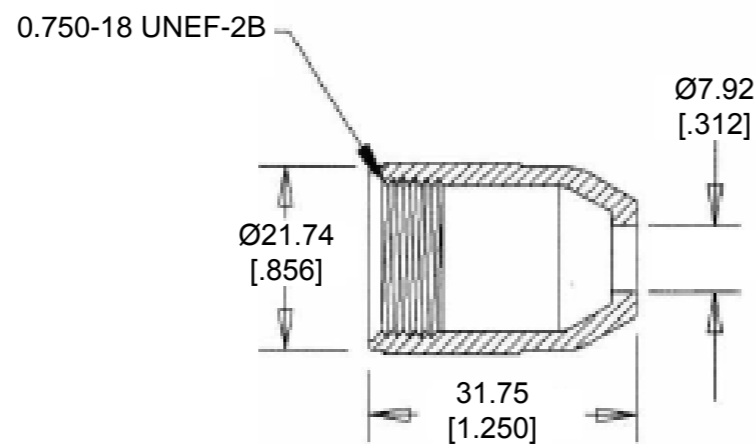
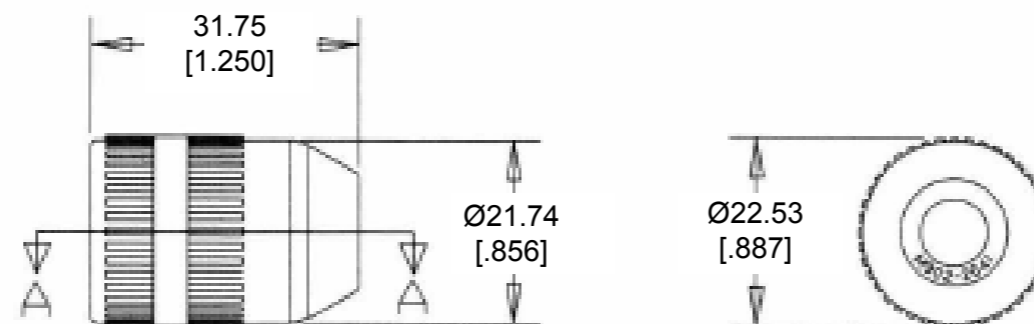
REVISIONS

P	LTR	DESCRIPTION	DATE	DWN	APVD
A		NEW RELEASE PER ECO-14-013592	09-05-14	DM	DM



Backshell

Compression Nut



SECTION A-A

4. PART NO. M902-2041

3. CABLE SIZE: Ø.187 - Ø.300

2. TEMPERATURE RATING: -40°C TO +134°C [-40°F TO +273°F]

1. THIS PART IS USED WITH
 BACKSHELL, M902-2131 (HD10, SIZE 3)
 BACKSHELL, M902-2161 (HD10, SIZE 6)
 BACKSHELL, M902-2191 (HD10, SIZE 9)

THIS DRAWING IS A CONTROLLED DOCUMENT.		DWN D. MEYER 05SEP2014			
DIMENSIONS: MM [INCH]		CHK I. GRANTCHAROVA 05SEP2014			
TOLERANCES UNLESS OTHERWISE SPECIFIED:		APVD D. MEYER 05SEP2014	NAME NUT, COMPRESSION, SIZE 3,6,9 CABLE SIZE: Ø.187 - Ø.300 HD10 SERIES		
		PRODUCT SPEC	RESTRICTED TO		
MATERIAL PC/PBT		APPLICATION SPEC	SIZE A3	CAGE CODE 4AFU8	DRAWING NO. M902-2041
FINISH BLACK		WEIGHT 6.34 g	SCALE NONE SHEET 1 OF 1 REV A		
		Customer Drawing			