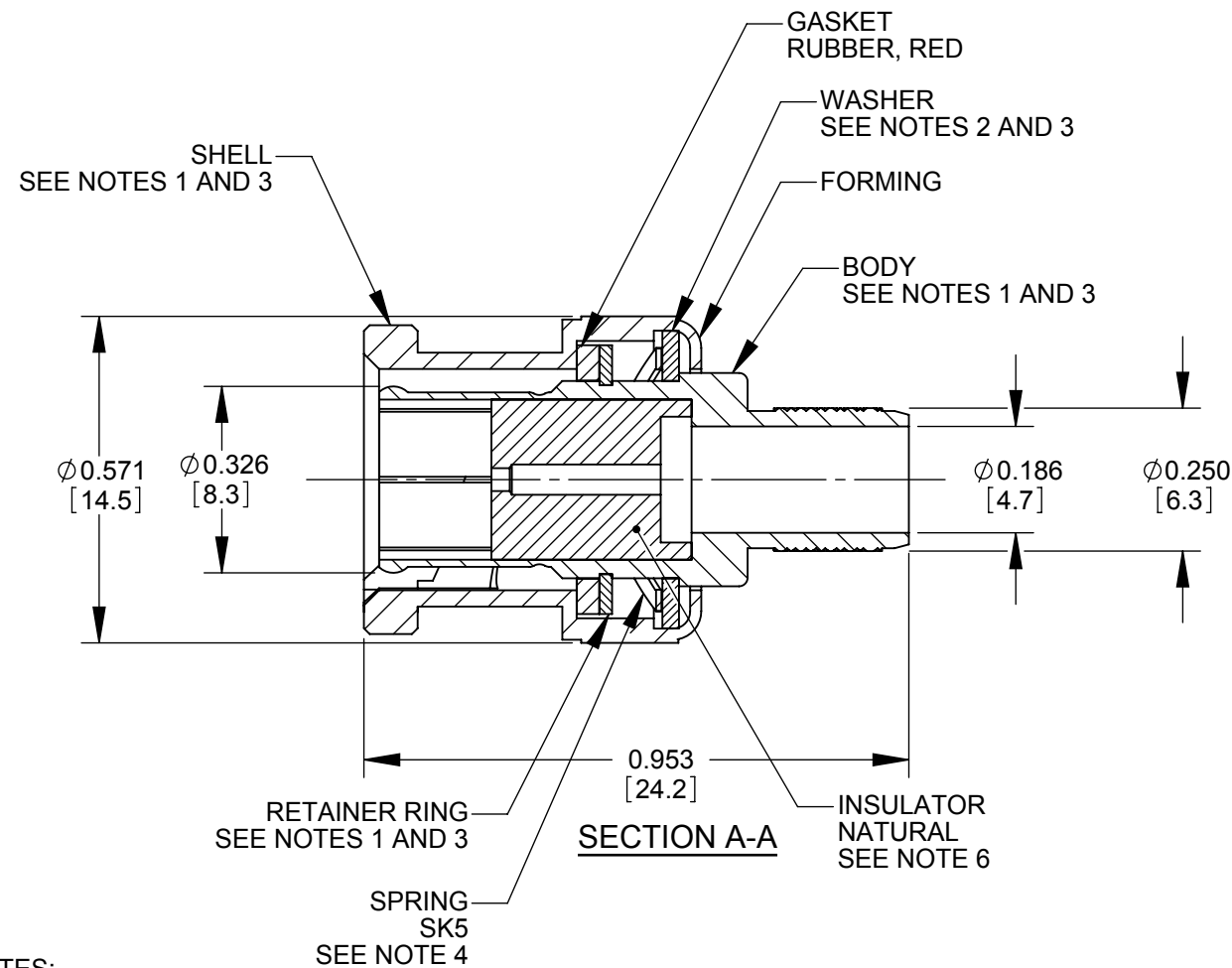
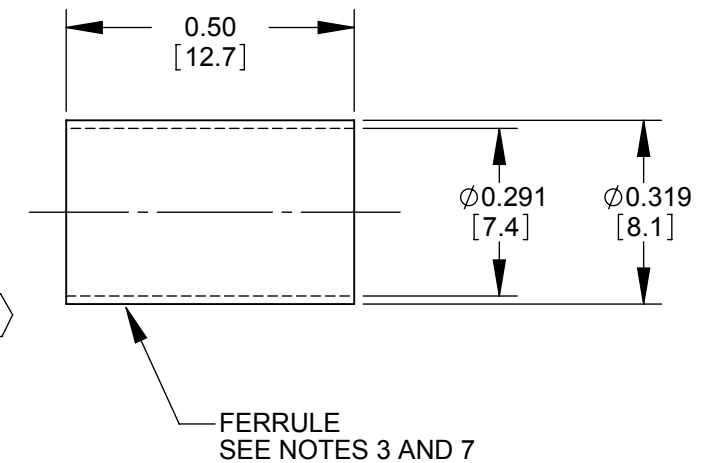
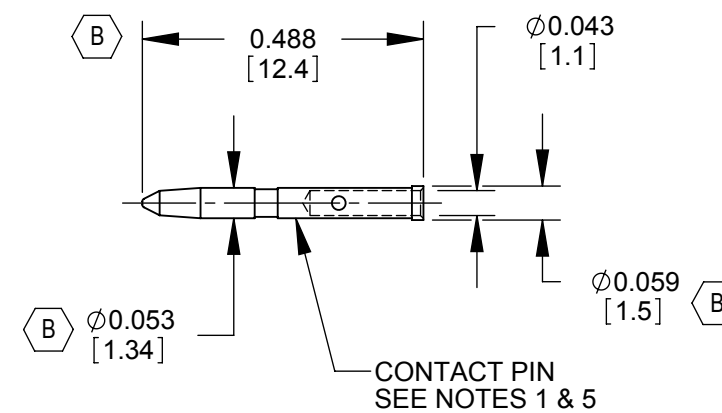


ALTERNATE KNURL DESIGN



RECOMMENDED  
CABLE STRIPPING DIMENSIONS  
SWITCHCRAFT STRIPPING TOOL #PTS1



NOTES:

FINISH (PLATING THICKNESS IN MICRO-INCHES)

1. BRASS PER QQ-B-626
2. BRASS PER QQ-B-613
3. NICKEL PLATING 100 MIN THICK OVER COPPER STRIKE.
4. NICKEL PLATING 200 MIN THICK OVER COPPER STRIKE.
5. GOLD PLATING 50 MIN THICK OVER NICKEL PLATING 100 MIN THICK OVER COPPER STRIKE.
6. TEFLON MIL-P-19468
7. JIS H 3250, C 2600
8. CRIMPED FERRULE HEX CRIMP SIZE 0.278.
9. CRIMPED CONTACT PIN SQUARE CRIMP SIZE 0.042 OR HEX CRIMP SIZE 0.041.
10. ALL DIMENSIONS ARE FOR REFERENCE ONLY.
11. THIS PRODUCT IS RoHS COMPLIANT.

CUSTOMER DRAWING

| REV       | ECO NUMBER | DATE    | BY | APVD |
|-----------|------------|---------|----|------|
| B         | 26364      | 3-31-09 | RS | TJK  |
| A         | 26142      | 3-12-09 | RF | TJK  |
| REVISIONS |            |         |    |      |

★ STAR SYMBOL DENOTES CRITICAL DIMENSION

UNLESS OTHERWISE SPECIFIED

1. ALL DIMENSIONS IN INCHES
  - TWO PLACE DECIMALS ±0.01
  - THREE PLACE DECIMALS ±0.005
  - ANGLES ±1°
  - ALL DIA. CONCENTRIC WITHIN 0.005 T.I.R.
2. FEATURES ON THE SAME CENTERLINE MUST BE ALIGNED WITHIN ±0.002
3. REMOVE ALL BURRS

DO NOT SCALE DRAWING

|  |       |      |       |              |          |  |     |  |  |
|--|-------|------|-------|--------------|----------|--|-----|--|--|
| THIS DRAWING DESCRIBES A DESIGN CONSIDERED PROPRIETARY IN NATURE, DEVELOPED AND MANUFACTURED BY SWITCHCRAFT INC. AND IS RELEASED ON A CONFIDENTIAL BASIS FOR IDENTIFICATION PURPOSES ONLY. |       |      |       |              |          |  |     |  |  |
| SIZE   | WIDTH | MULT | LBS/M | TEMPER       |          |  |     |  |  |
| FINISH   |       |      |       |              | MATERIAL |  |     |  |  |
| SPEC No.   |       |      |       |              | SPEC No. |  |     |  |  |
| FIRST USED ON  |       |      |       | SCALE 3:1    |          |  |     |  |  |
| DATE DRAWN   | BY    | CHKD | APVD  | Switchcraft® |          |  |     |  |  |
| 10-31-06   | RF    | RF   | TJK   | SHEET 1 OF 1 |          |  |     |  |  |
| NAME   |       |      |       | PART No.     |          |  | REV |  |  |
| 75 OHM BNC CONNECTOR<br>1694A CABLE, RoHS  |       |      |       | HP75BNC7X    |          |  | B   |  |  |