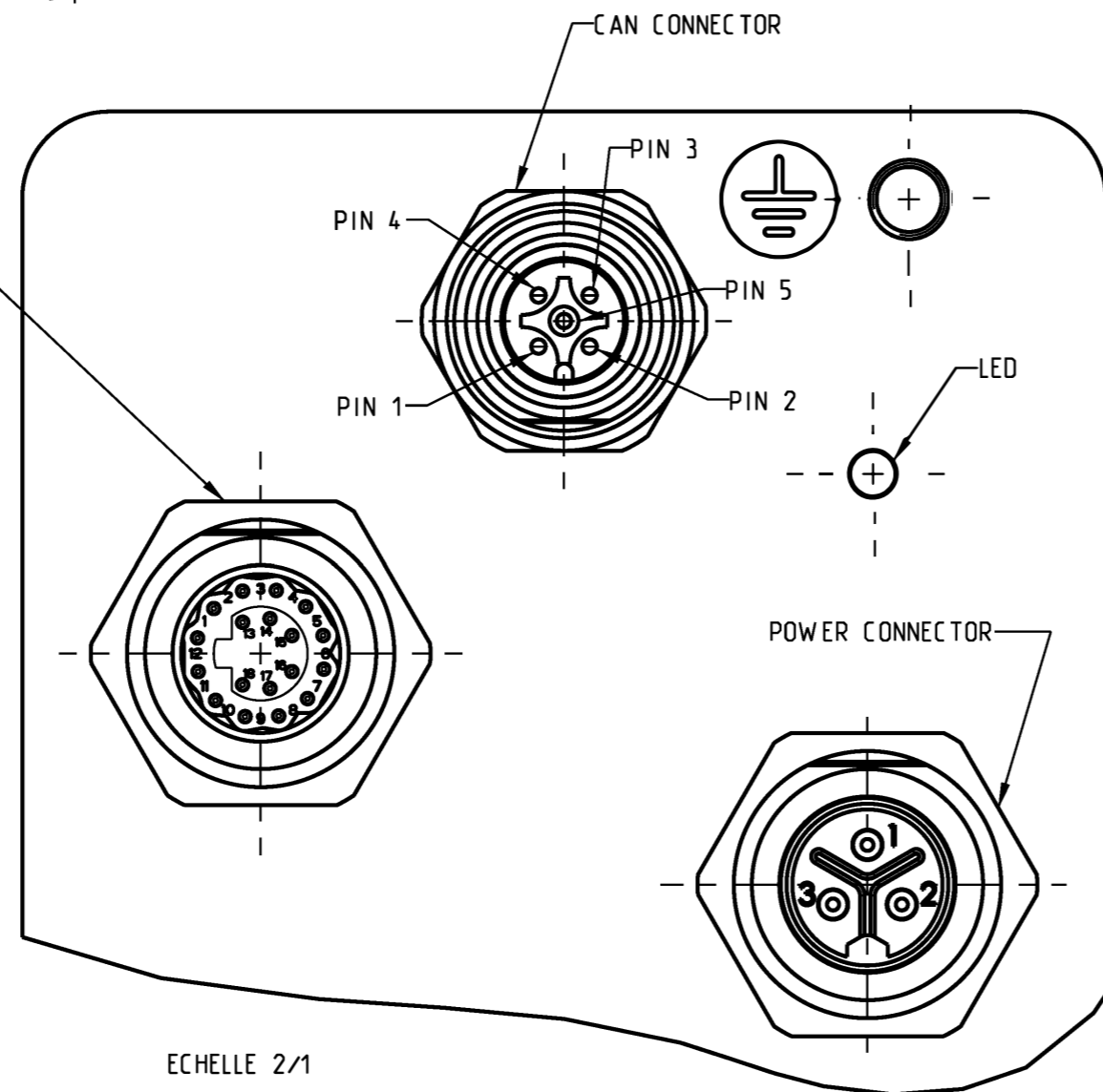
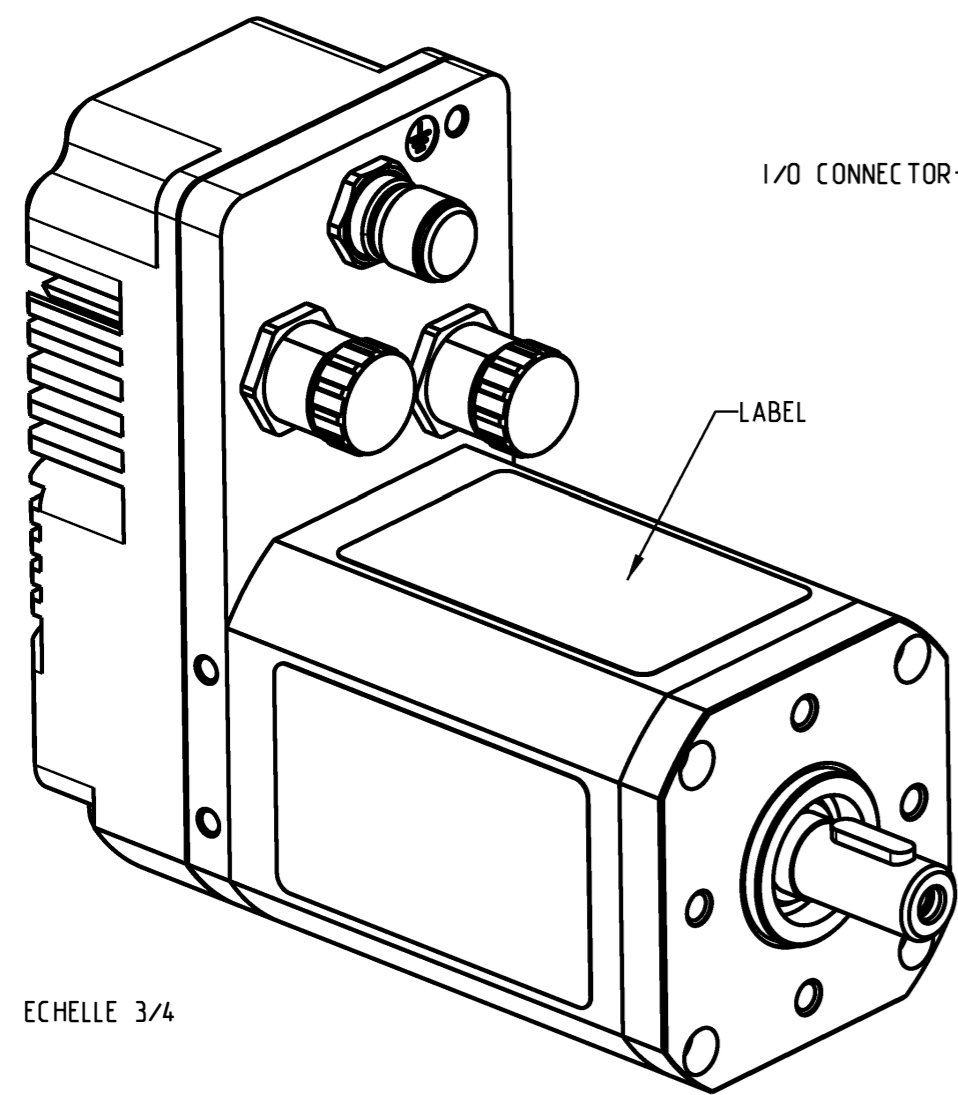


SQ75-2 80360 L: 153.1 max

ECHELLE 13/20

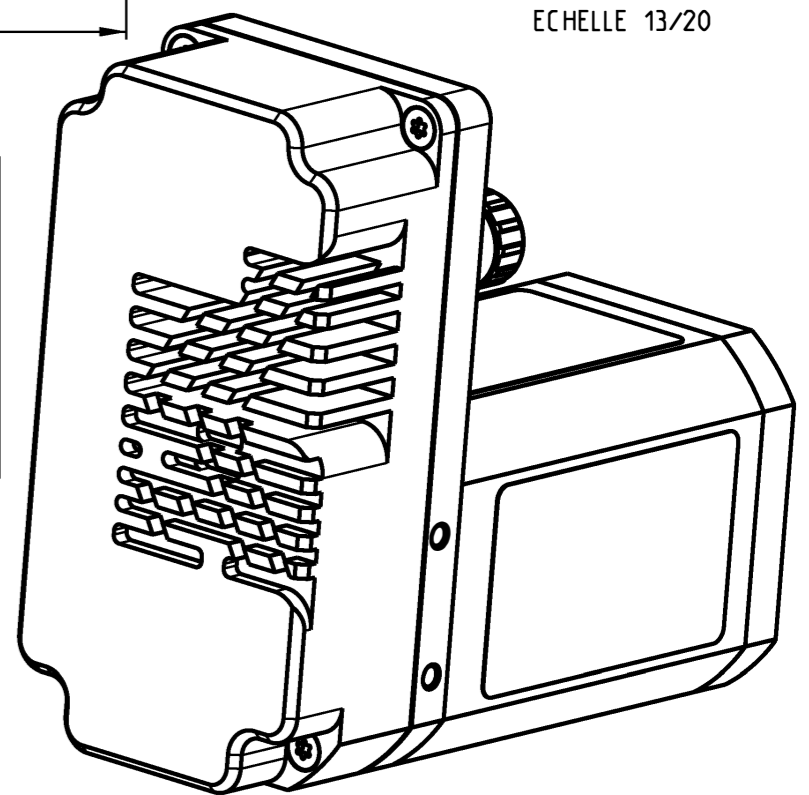


I/O CONNECTOR	
Header :	HUMMEL
	7.850.000.000
Pin :	HUMMEL
	7.010.980.801
Insulation :	HUMMEL
	7.003.988.101
1	VLOGIC
2	GND_D
3	AN_1
4	AN_2
5	INPUT_1
6	INPUT_2
7	INPUT_3
8	INPUT_4
9	GND_D
10	OUTPUT_1
11	OUTPUT_2
12	OUTPUT_3
13	OUTPUT_4
14	GND_D
15	STO 2-
16	STO 2+
17	STO 1-
18	STO 1+

POWER CONNECTOR	
Header :	HUMMEL
	7.850.000.000
Pin :	HUMMEL
	7.010.982.001
Insulation :	HUMMEL
	7.003.983.101
1	SHUNT +
2	POWER_IN
3	GND_P

CAN CONNECTEUR	
M12/PG9 :	MOLEX
	1200708205
1	NC
2	NC
3	GND_ISO
4	CAN_P
5	CAN_N

USB CONNECTOR	
USB	
0	SHIELD
1	VBus
2	D-
3	D+
4	NC
5	GND



Reference 80360000

