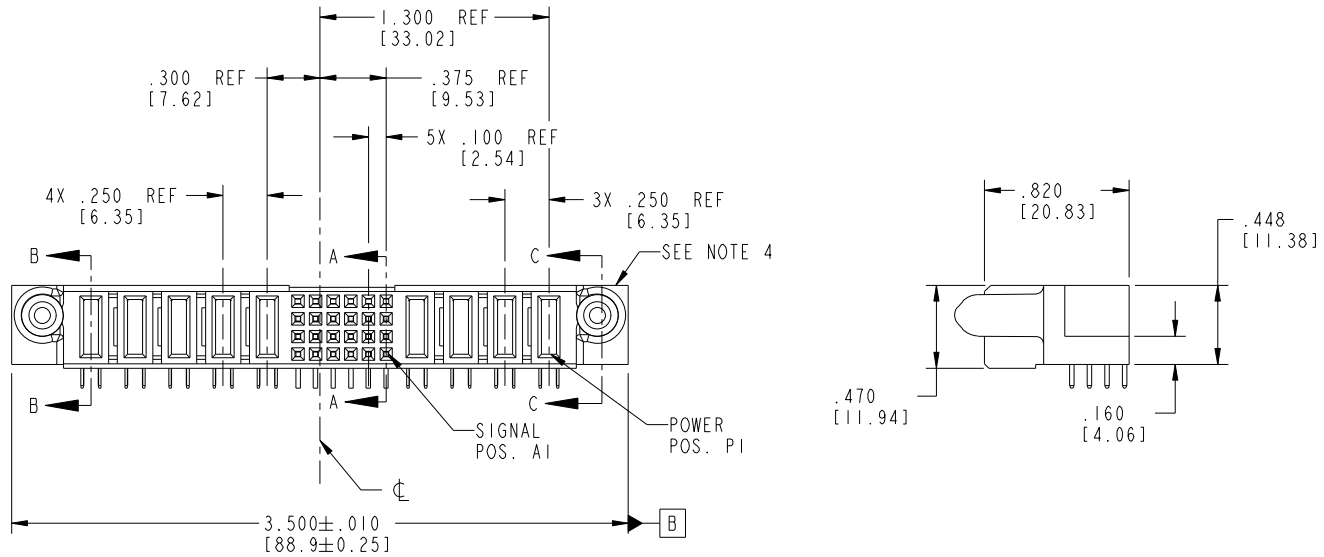


Tous droits strictement réservés. Reproduction ou communication à des tiers interdite sous quelque forme que ce soit sans autorisation écrite du propriétaire. Propriété de c.FCI. Droits de reproduction FCI.



All rights strictly reserved. Reproduction or issue to third parties in any form whatever is not permitted without written authority from the proprietor. Property of FCI. Copyright FCI.

PRODUCT NO.	ROWS	POWER				SIGNAL					POWER				E1				
		E2	P9	P8	P7	P6	P5	6	5	4	3	2	1	P4		P3	P2	P1	
51770-014..	D C B A		PA	PA	PA	PA	PC	H	H	H	H	H	H	H	PA	PA	PA	PA	
								G	G	G	G	G	G	G					
								F	F	F	F	F	F	F					
								E	E	E	E	E	E	E					



CODE	DIM "M" MATING LENGTH	CONTACT TYPE
E	N/A [N/A]	SIGNAL
F	N/A [N/A]	SIGNAL
G	N/A [N/A]	SIGNAL
H	N/A [N/A]	SIGNAL
PA	.042 [1.07]	POWER
PC	.092 [2.34]	POWER

mat'l code SEE NOTE 2				tolerances unless otherwise specified		CUSTOMER			
ltr	ecn no.	dr	date	linear	.XX±.01/0.X±0.3	COPY		www.fciconnect.com	
A	V03-1314	TAB	12/12/03	projection	.XXX±.005/0.XX±0.13	title		4P + 24S + 5P	
B	DG08-0038	SH	02/14/08	angles	.XXX±.002/0.XXX±0.051	R/A SOLDER RECEPTACLE		product family PwrBlade code 213	
				dr	0°±2°	INCH/MM		size dwg no 213	
				enr	T. BRUNGARD 12/12/03	scale		A 51770-014 sheet 1 of 4	
				chr	M. GRAY 12/12/03	1:1			
				appd	M. GRAY 12/12/03				
sheet index	revision sheet	B 1	B 2	B 3	B 4			cage code 22526	

Pro/E

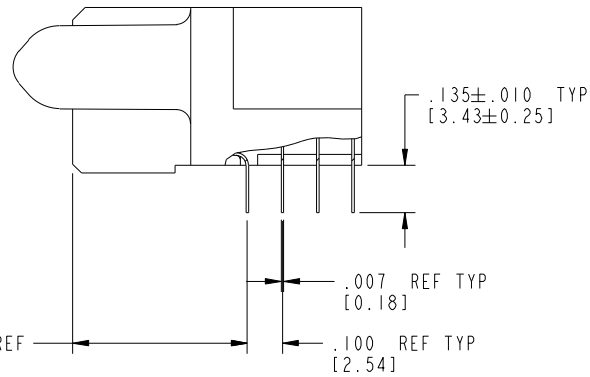
cage code 22526

Tous droits strictement reserves. Reproduction ou communication a des tiers interdite sous quelque forme que ce soit sans autorisation écrite du propriétaire. Propriete de c FCI. Droits de reproduction FCI.

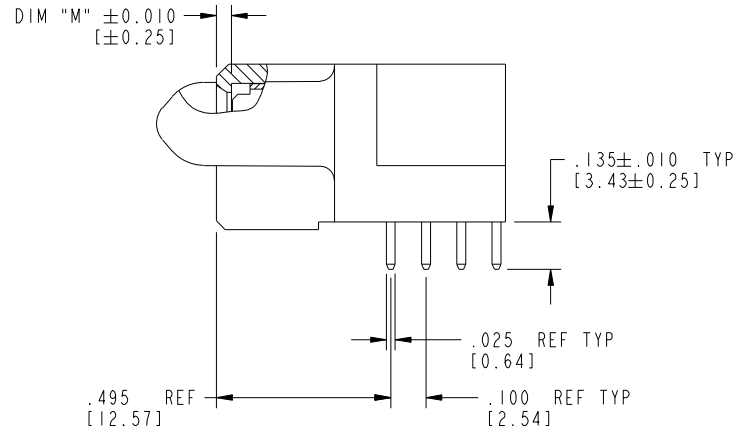


All rights strictly reserved. Reproduction or issue to third parties in any form whatever is not permitted without written authority from the proprietor. Property of FCI. Copyright FCI.

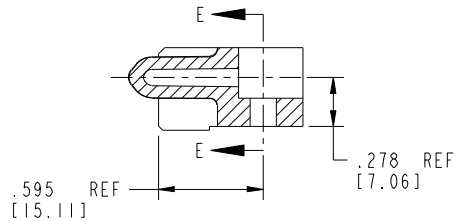
PRODUCT NUMBER
51770-014_



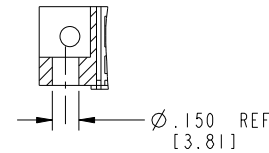
BROKEN-OUT SECTION A-A
SCALE 2:1



BROKEN-OUT SECTION B-B
SCALE 2:1



SECTION C-C



PARTIAL SECTION E-E

mal't code		SEE NOTE 2		tolerances unless otherwise specified		CUSTOMER		 www.fciconnect.com	
ltr	ecn no.	dr	date	linear	.XX ± .01 / 0.X ± 0.3	COPY		title	
B					.XXX ± .005 / 0.XX ± 0.13	projection		4P + 24S + 5P	
				angles	.XXX ± .0020 / 0.XXX ± 0.051			R/A SOLDER RECEPTACLE	
				dr	0° ± 2°			product family	
				enr	T. BRUNGARD 12/12/03	INCH/MM		PwrBlade	
				chr	M. GRAY 12/12/03	scale		code	
				appd	M. GRAY 12/12/03	1:1		213	
sheet index		revision sheet				A		51770-014	
								2 of 4	

cage code 22526

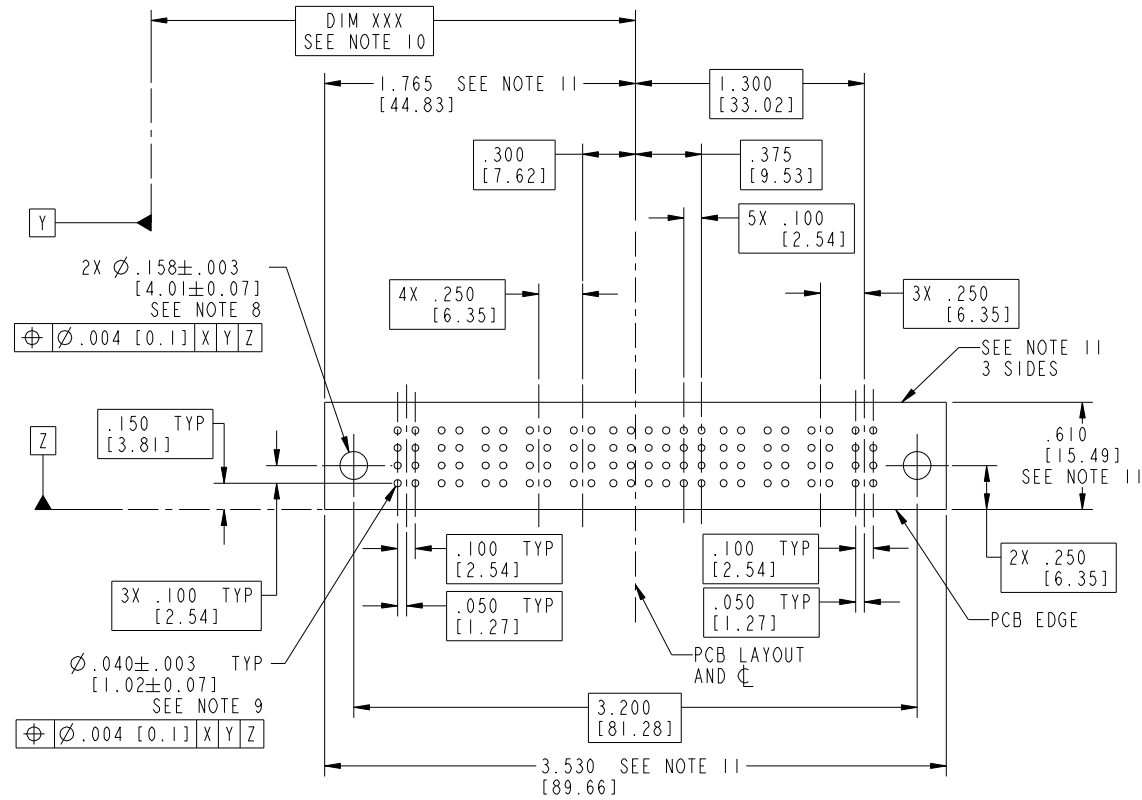
Pro/E

Tous droits strictement reserves. Reproduction ou communication a des tiers interdite sous quelque forme que ce soit sans autorisation écrite du propriétaire. Propriete de c FCI. Droits de reproduction FCI.



All rights strictly reserved. Reproduction or issue to third parties in any form whatever is not permitted without written authority from the proprietor. Property of FCI. Copyright FCI.

PRODUCT NUMBER
51770-014_



RECOMMENDED PCB LAYOUT

mat'l code		SEE NOTE 2		tolerances unless otherwise specified		CUSTOMER		 www.fciconnect.com	
ltr	ecn no.	dr	date	linear	.XX±.01/0.X±0.3	COPY		title	
B					.XXX±.005/0.XX±0.13	projection		4P + 24S + 5P	
				angles	.XXX±.002/0.XXX±0.051			R/A SOLDER RECEPTACLE	
				dr	0°±2°	INCH/MM		product family	
				enr	T. BRUNGARD 12/12/03	scale		PwrBlade	
				chr	M. GRAY 12/12/03	1:1		code	
				appd	M. GRAY 12/12/03	A		213	
sheet index	revision sheet					size		dwg no	
						A		51770-014	
						scale		sheet	
						1:1		3 of 4	

cage code 22526

Pro/E

Tous droits strictement reserves. Reproduction ou communication a des tiers interdite sous quelque forme que ce soit sans autorisation écrite du propriétaire. Propriete de c FCI. Droits de reproduction FCI.



All rights strictly reserved. Reproduction or issue to third parties in any form whatever is not permitted without written authority from the proprietor. Property of FCI. Copyright FCI.

PRODUCT NUMBER
51770-014__

NOTES:

1. DIMENSIONS AND TOLERANCES ARE IN ACCORDANCE WITH ASME Y14.5M, 1994 UNLESS OTHERWISE SPECIFIED.

CONNECTOR NOTES:

- 2. HOUSING MATERIAL: UL 94 V-0 GLASS FILLED
HIGH-TEMP THERMOPLASTIC
POWER CONTACT MATERIAL: COPPER ALLOY
SIGNAL PIN MATERIAL: COPPER ALLOY
- 3. PLATING:
B 51770-014, 51770-014LF, PLATING SPEC. SEE PRINT: 10064183
- 4. MANUFACTURER'S NAME, P/N, AND DATE CODE TO APPEAR ON THIS SURFACE.
- 5. PRODUCT SPECIFICATION GS-12-149.
APPLICATION SPECIFICATION BUS-20-067.
- 6. PACKAGED IN TRAYS.

PCB NOTES:

- 7. ALL HOLE DIAMETERS ARE FINISHED HOLE SIZE.
- 8. MOUNTING HOLES, WHERE APPLICABLE, ARE UNPLATED.
- 9. $\varnothing .0453 \pm .0010$ [1.151 \pm 0.025] DRILLED HOLES PLATED WITH .0003 [0.008] MIN SnPb OVER .001 [0.03] TO .003 [0.08] Cu PLATING TO ACHIEVE $\varnothing .040 \pm .003$ [1.02 \pm .07] HOLE.
- 10. "DIM XXX" TO BE DETERMINED BY THE CUSTOMER.
- 11. CONNECTOR KEEP-OUT ZONE.

12. A B SYMBOL WILL BE NEXT TO ANY DIMENSION, VIEW, OR NOTE WHICH HAS BEEN MODIFIED WITH CURRENT DRAWING REVISION.

mat'l code				SEE NOTE 2		tolerances unless otherwise specified		CUSTOMER		FCI		www.fciconnect.com			
ltr	ecr no.	dr	date	linear	.XX±.01/0.X±0.3		COPY		projection	title			4P + 24S + 5P R/A SOLDER RECEPTACLE		
B					.XXX±.005/0.XXX±0.13		INCH/MM			product family		PwrBlade		code	
					.XXX±.0020/0.XXX±0.051		1:1			size		dwg no		213	
				angles	0°±?		scale		A		51770-014		sheet		
				dr	T. BRUNGARD 12/12/03								4 of 4		
				enr	M. GRAY 12/12/03										
				chr	M. GRAY 12/12/03										
				appd	M. GRAY 12/12/03										
sheet index	revision sheet														

cage code 22526

Pro/E