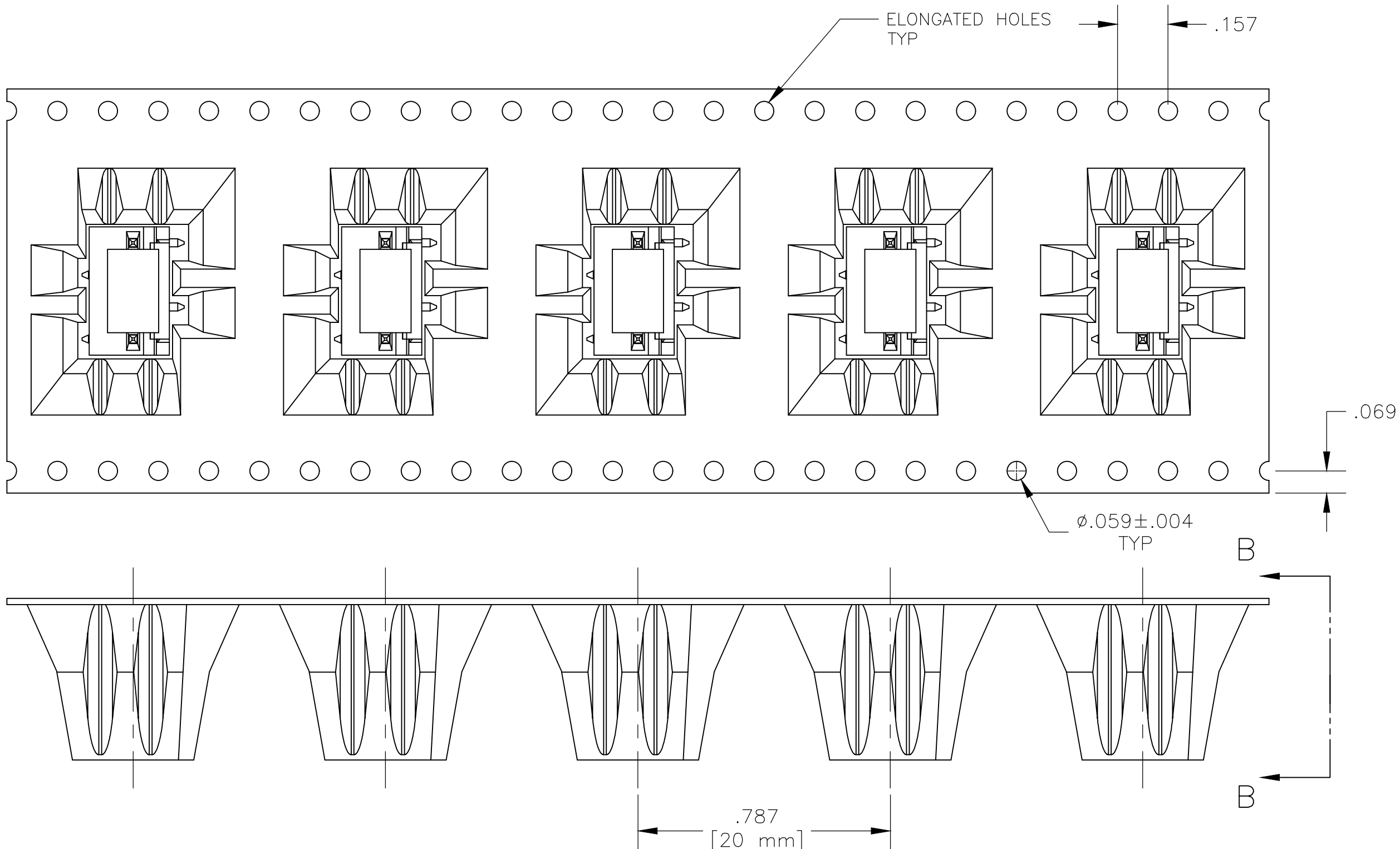
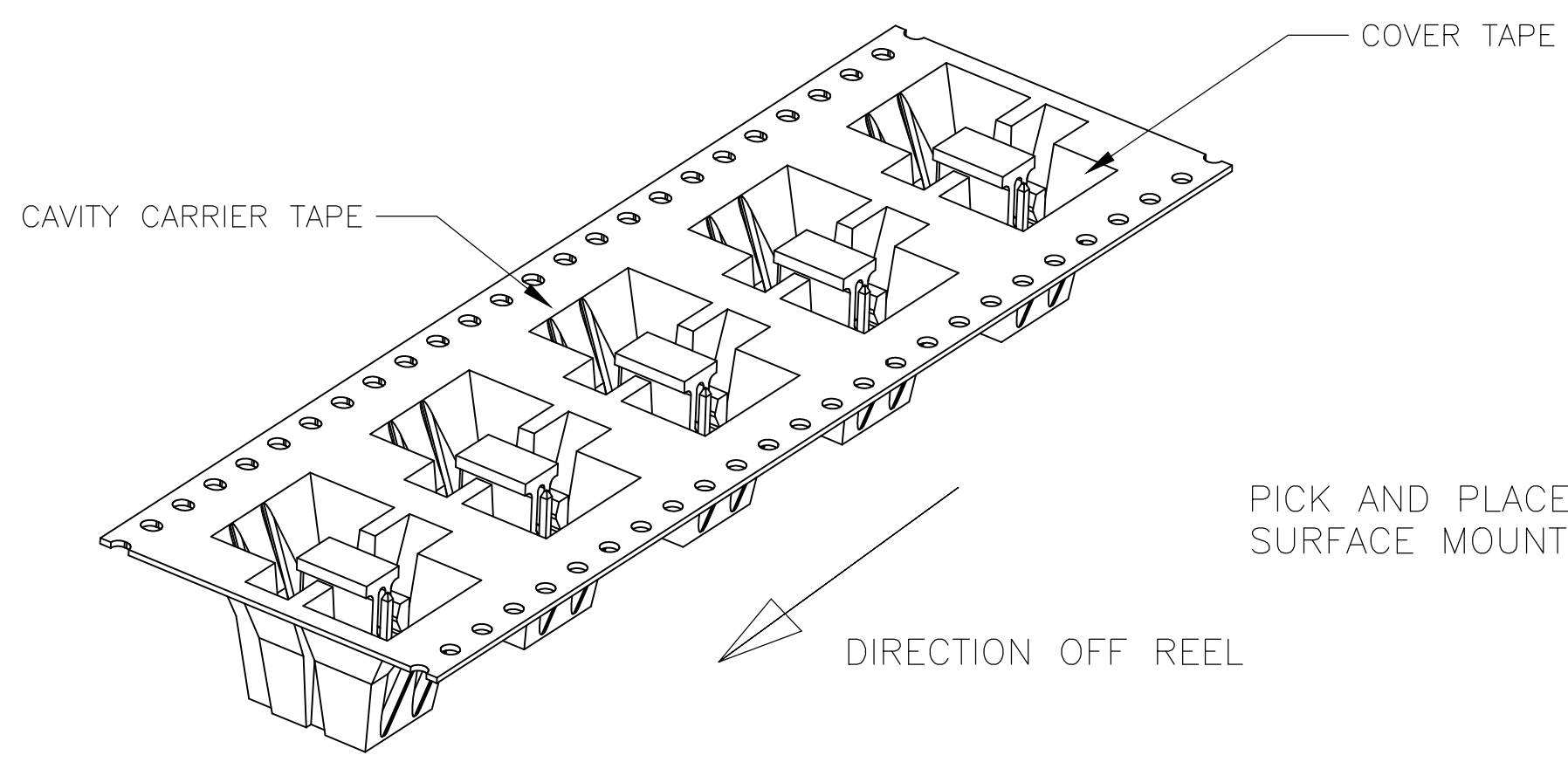
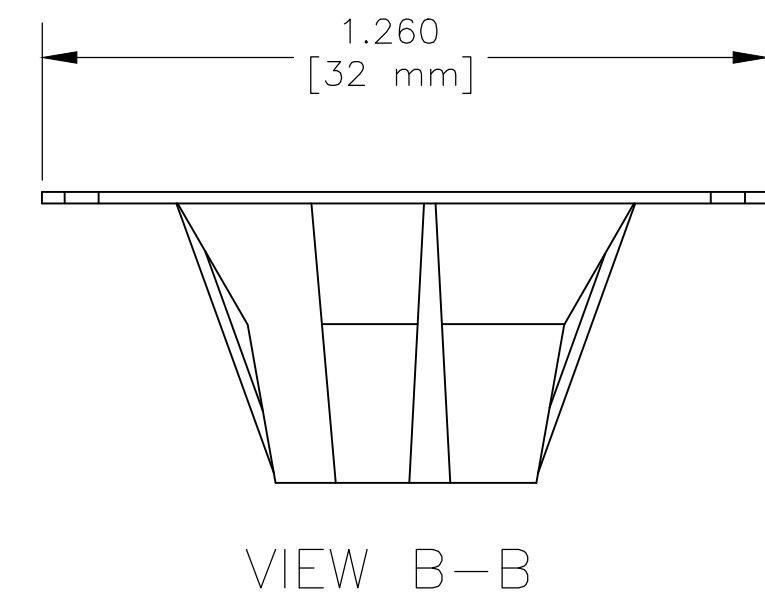


THIS DRAWING IS UNPUBLISHED. RELEASED FOR PUBLICATION
 © COPYRIGHT - By - ALL RIGHTS RESERVED.

LOC		DIST		REVISIONS			
P	LTR	DESCRIPTION	DATE	DWN	APVD		
AF	-	D2	REVISED PER ECR-18-004355	19JUN2018	BDA	SG	



- 1 MATERIAL:
HOUSING- NYLON, UL94V-0, BLACK
CONTACT- COPPER ALLOY
CAVITY CARRIER TAPE- BLACK CONDUCTIVE PLOYCARBONATE
- 2 FINISH:
CONTACT - TIN PLATE
- 3 POST TO WITHSTAND 13 NEWTONS [3 LBS] MIN AXIAL FORCE IN THIS DIRECTION WITHOUT DISLODGING, BEFORE SOLDERING.
- 4 POSTS SOLDER TAILS MUST COMPLY WITH TE SOLDERABILITY SPEC 109-11-2.
- 5 MEASURED AT -A-
- 6 APPLIES WHEN HEADER IS HELD STRAIGHT
- 7 COORDINATE DIM APPLIES FROM CENTER OF ACTUAL FEATURE.
- 8 DIMENSION APPLY TO THE COMPONENT SIDE OF BOARD
- 9 MAX TEMP EXPOSURE DURING REFLOW SOLDERING MAY NOT EXCEED 280°C [536°F].
- 10 HEADERS ARE SUPPLIED ON A 330.2mm [13] DIAMETER REEL WITH 225 PARTS PER REEL. THE CAVITY CARRIER TAPE HOLDS 1 PART PER POCKET, ORIENTED AS SHOWN.
- 11 TE LOGO, UL AND CSA TRADEMARKS MARKED AT THIS LOCATION



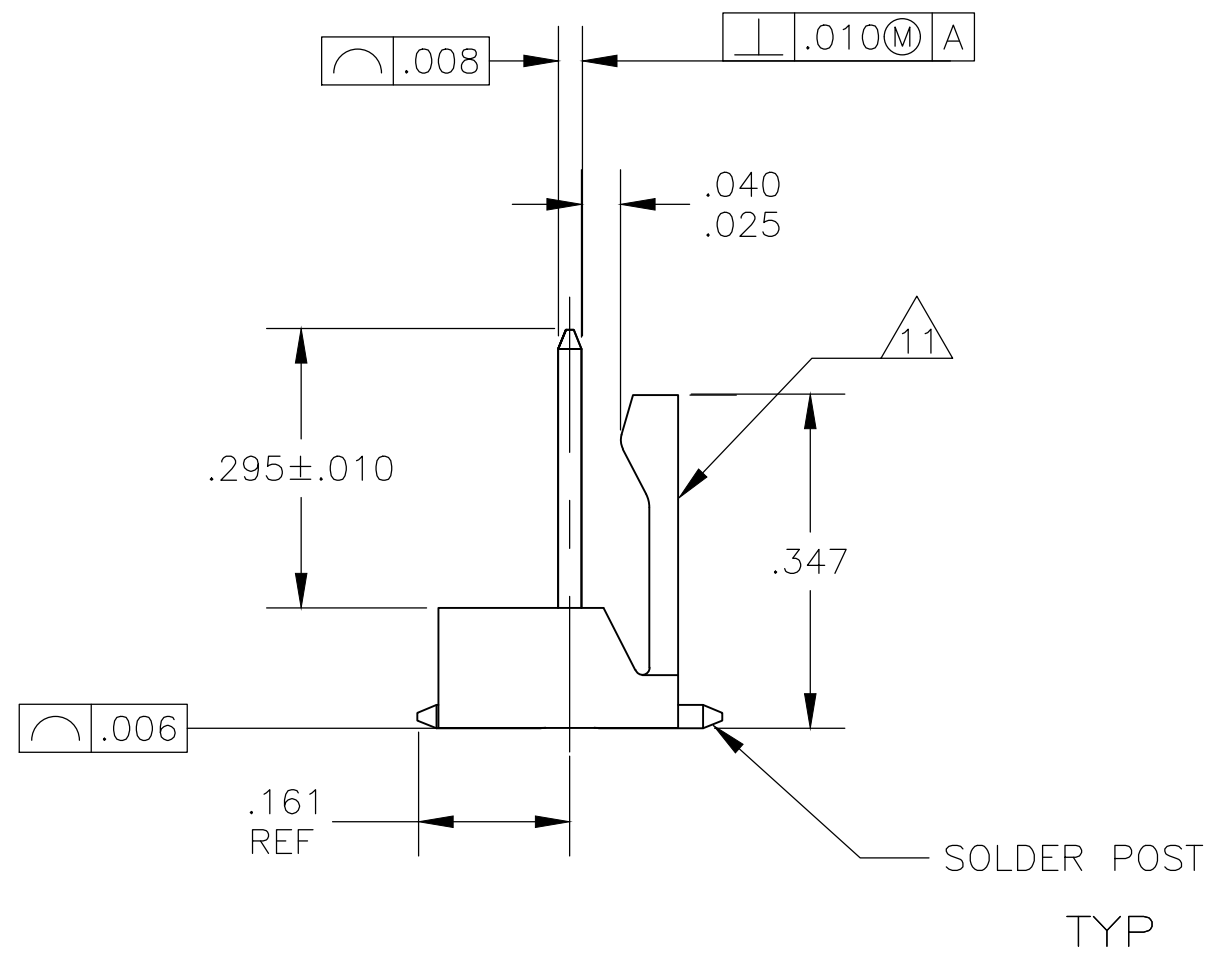
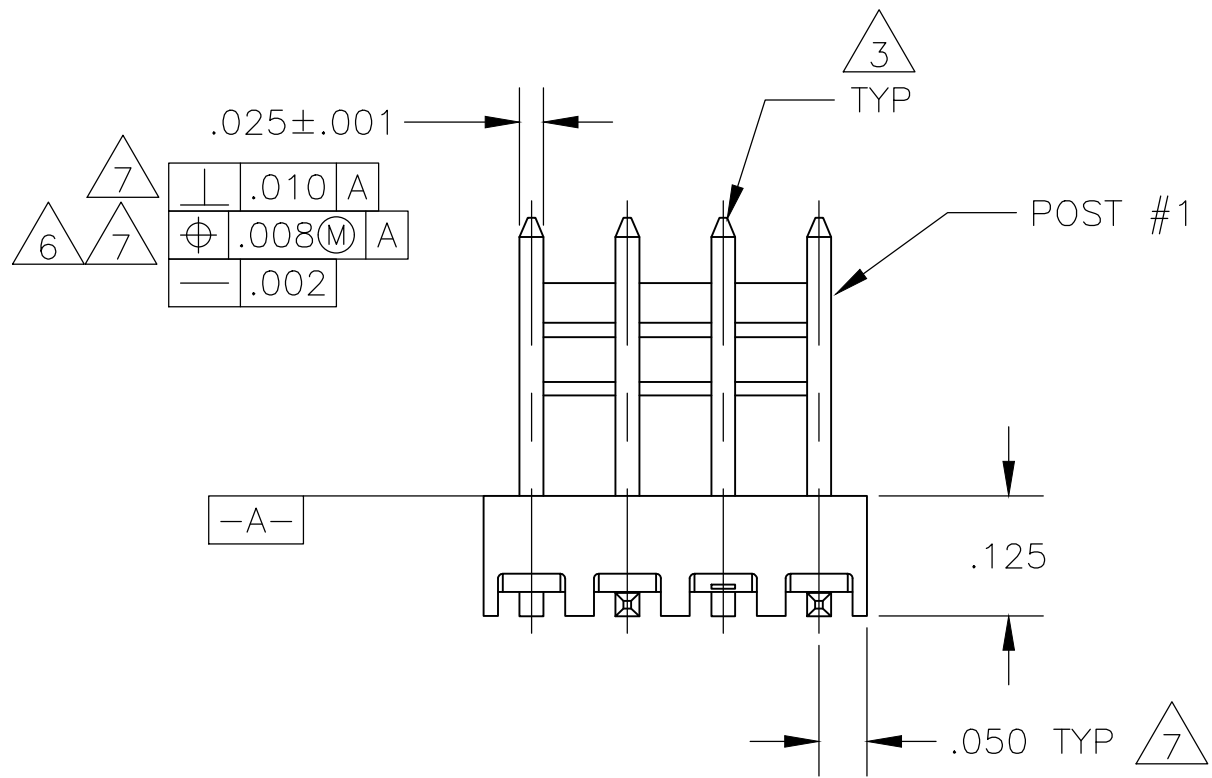
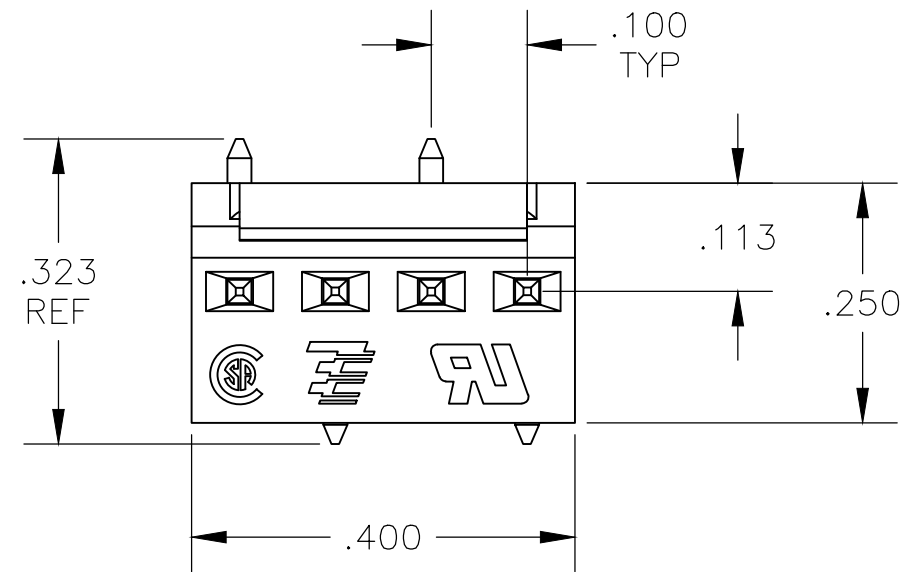
PICK AND PLACE COVER 147117-1
 SURFACE MOUNT HEADER 3-647168-4

1 REQ'D	1 REQ'D	4	3-1744400-4
PICK AND PLACE COVER	HEADER ASSEMBLY	NO. OF POSITIONS	PART NO

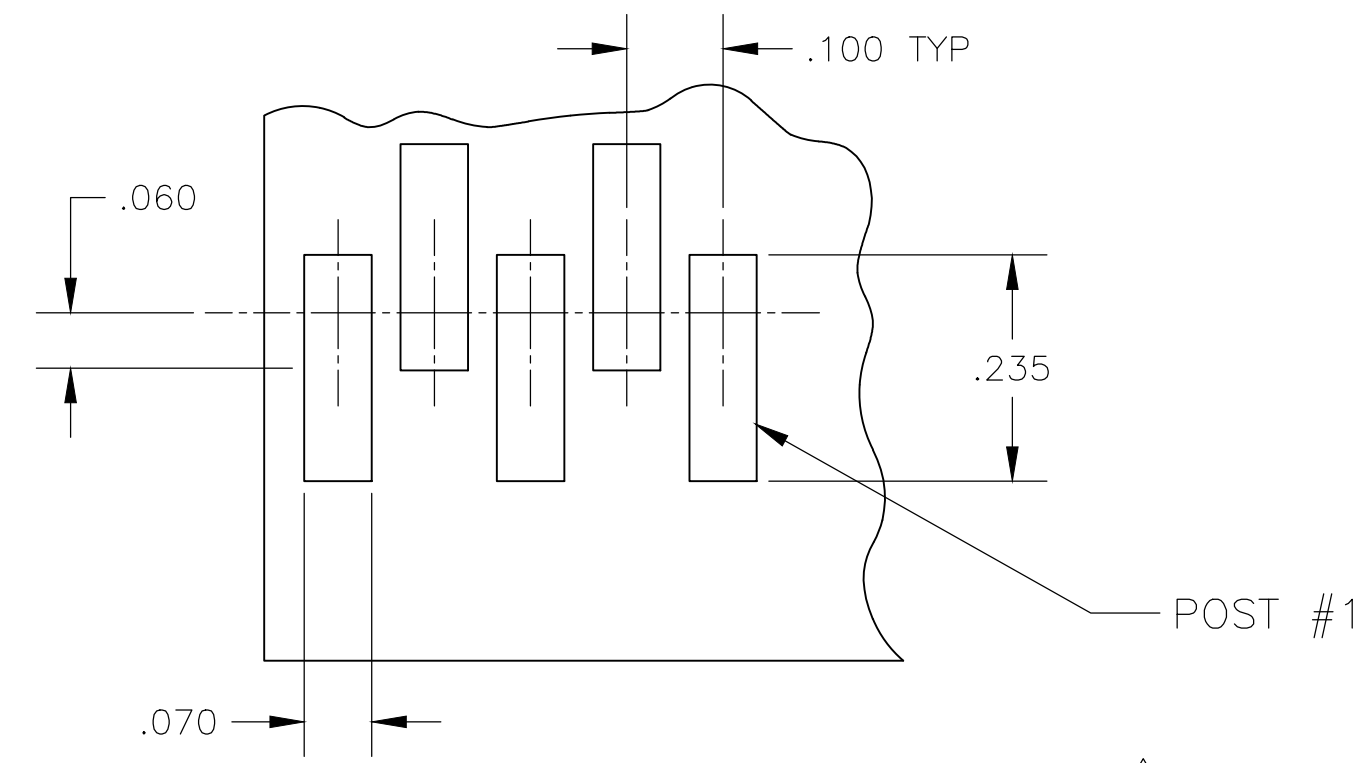
THIS DRAWING IS A CONTROLLED DOCUMENT.		DWN	jr_ruth	08JUN11		TE Connectivity		
DIMENSIONS: INCHES		CHK	SAM_MACE	08JUN11		NAME		
TOLERANCES UNLESS OTHERWISE SPECIFIED:		APVD	SAM_MACE	08JUN11		MTA-100 HEADER ASSY, SURFACE MOUNT, FRICTION LOCK, .025 SQ. POST, 030 GOLD PLATED, TAPE LOADED W/CAP		
0 PLC ± - 1 PLC ± - 2 PLC ± - 3 PLC ± .015 4 PLC ± - ANGLES ± 1°		PRODUCT SPEC	APPLICATION SPEC			SIZE	CAGE CODE	DRAWING NO
MATERIAL	FINISH	WEIGHT	-		A2	00779	C=1744400	
		CUSTOMER DRAWING		SCALE	3:1	SHEET	1 of 3	
						REV	D2	

THIS DRAWING IS UNPUBLISHED. RELEASED FOR PUBLICATION
 © COPYRIGHT - By - ALL RIGHTS RESERVED.

LOC	DIST	REVISIONS			
P	LTR	DESCRIPTION	DATE	DWN	APVD
AF	-	SEE SHEET 1	-	-	-



MTA-100 HEADER SHOWN

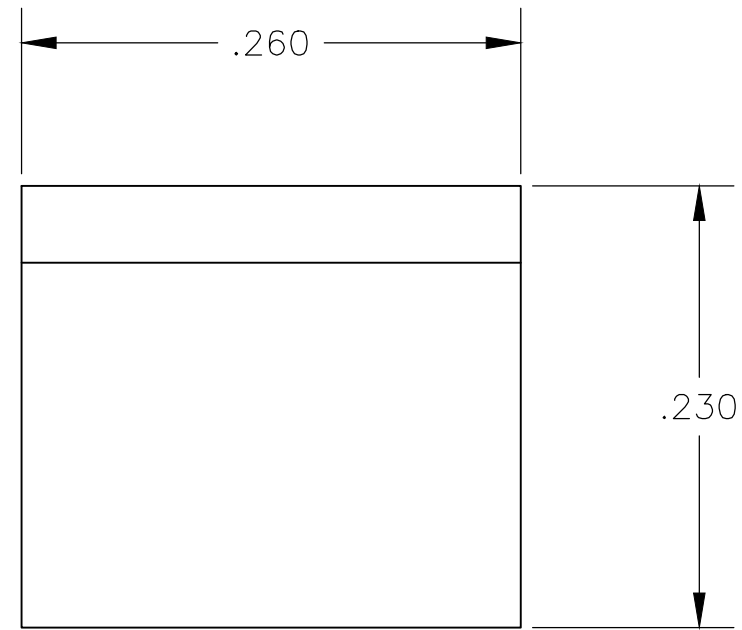
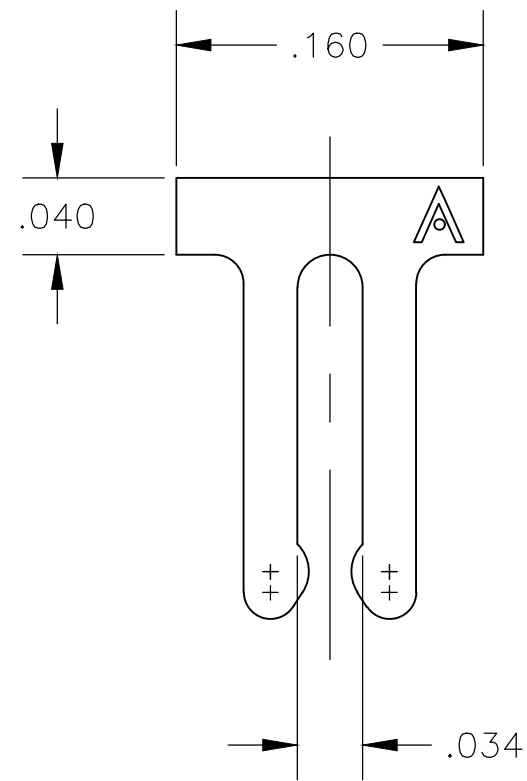


RECOMMENDED P.C. BOARD LAYOUT FOR USE WITH .010 THICK STENCIL


THIS DRAWING IS A CONTROLLED DOCUMENT.		DWN	jr ruth	08JUN11		TE Connectivity			
DIMENSIONS: INCHES		CHK	SAM MACE	08JUN11		NAME			
TOLERANCES UNLESS OTHERWISE SPECIFIED:		APVD	SAM MACE	08JUN11		MTA-100 HEADER ASSY, SURFACE MOUNT, FRICTION LOCK, .025 SQ. POST, 030 GOLD PLATED, TAPE LOADED W/CAP			
0 PLC ± - 1 PLC ± - 2 PLC ± - 3 PLC ± .015 4 PLC ± - ANGLES ± 1°		PRODUCT SPEC	APPLICATION SPEC			SIZE	CAGE CODE	DRAWING NO	RESTRICTED TO
MATERIAL		WEIGHT	-		A2	00779	C=1744400	-	
FINISH		CUSTOMER DRAWING		SCALE	5:1	SHEET	2 of 3	REV	D2

THIS DRAWING IS UNPUBLISHED. RELEASED FOR PUBLICATION
 © COPYRIGHT - By - ALL RIGHTS RESERVED.

LOC		DIST		REVISIONS			
P	LTR	DESCRIPTION	DATE	DWN	APVD		
-	-	SEE SHEET 1	-	-	-		



CAP FOR HEADER

THIS DRAWING IS A CONTROLLED DOCUMENT.		DWN	08JUN11	 TE Connectivity
DIMENSIONS: INCHES		CHK	08JUN11	
TOLERANCES UNLESS OTHERWISE SPECIFIED:		APVD	08JUN11	
0 PLC ± - 1 PLC ± - 2 PLC ± - 3 PLC ± .015 4 PLC ± - ANGLES ± 1°		PRODUCT SPEC		
MATERIAL		FINISH	WEIGHT	NAME
-		-	-	MTA-100 HEADER ASSY, SURFACE MOUNT, FRICTION LOCK, .025 SQ. POST, 030 GOLD PLATED, TAPE LOADED W/CAP
		CUSTOMER DRAWING		SIZE
				A2
				CAGE CODE
				00779
				DRAWING NO
				C=1744400
				RESTRICTED TO
				-
				SCALE
				10:1
				SHEET
				3 of 3
				REV
				D2