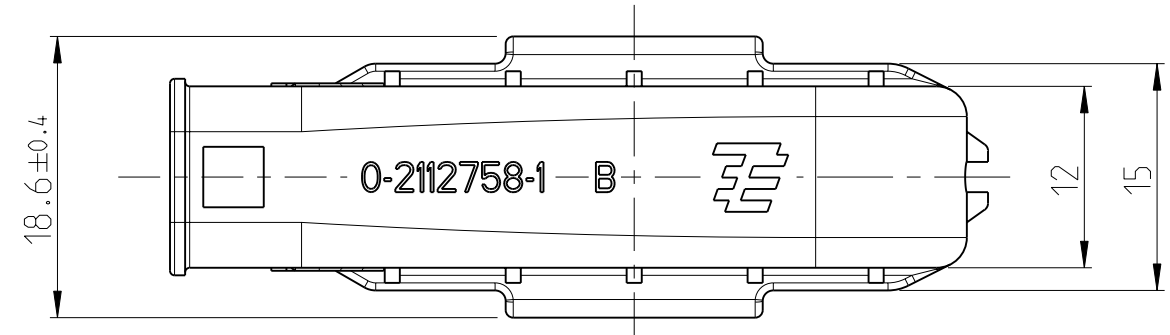
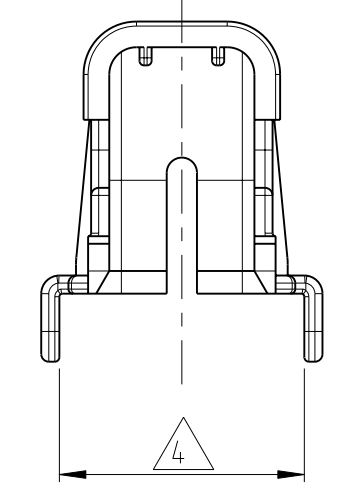
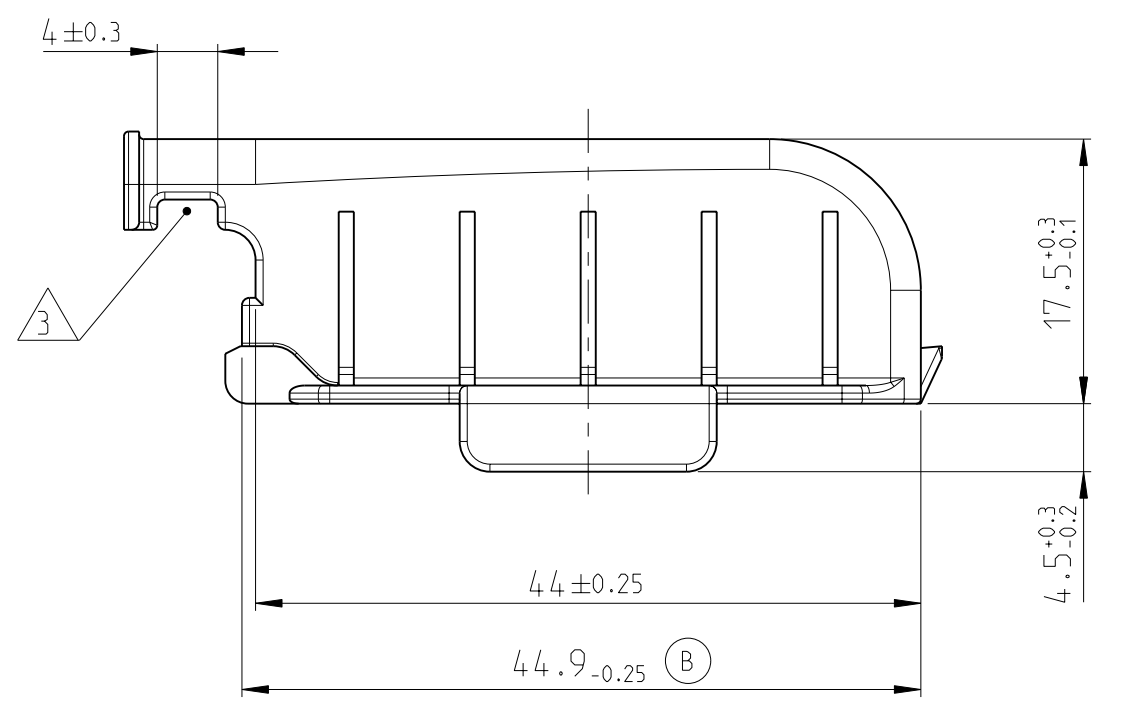
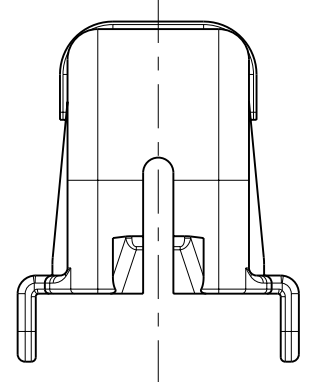
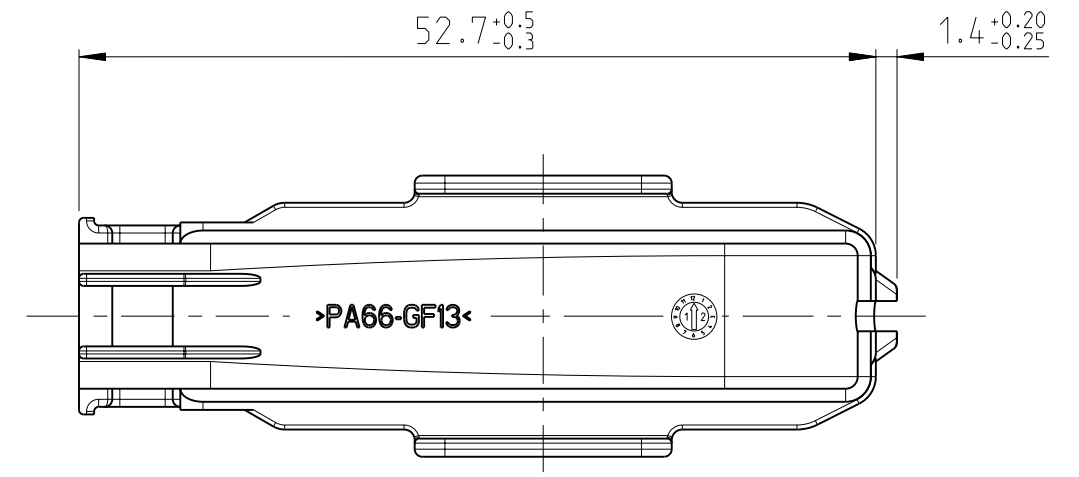


THIS DRAWING IS UNPUBLISHED
 RELEASED FOR PUBLICATION 2010
 ALL RIGHTS RESERVED.

© COPYRIGHT 2010 Tyco Electronics AMP GmbH

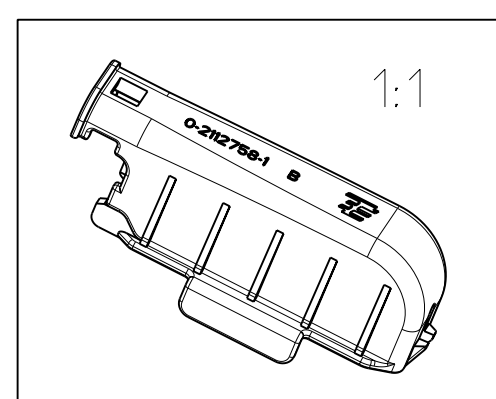
LOC	DIST	REVISIONS			
P	LTR	DESCRIPTION	DATE	DWN	APVD
A	-				
B		CLEARANCE FROM COVER OPTIMIZED	19MAR2012	RM	PNI



NOTES:
Bemerkungen:

- 1 PACKAGING: LOOSE PIECE INTO CARTON
Verpackung: Schuetzgut in Karton
- 2 SUITABLE FOR: SEE TE DRAWING NO 2112780
Passend zu: Siehe TE Zeichnungs Nr. 2112780
- 3 RECOMMENDED CABLE TIES: 4-160968-X / 4-160971-X
Empfohlene Kabelbinder: 4-160968-X / 4-160971-X
- 4 WARPAGE MAX. 0.5mm PERMITTED (TO MINUS-DIRECTION)
Verzug max. 0.5mm zulässig (in Minus-Richtung)

0-2112758-1	B	COVER	PA66-GF13	BLACK	1
TE PART NO.	REV.	DESCRIPTION	MATERIAL	COLOUR	QTY
		STE TE Connectivity			
		NAME: COVER Kappe			
		PRODUCT SPEC	RESTRICTED TO		
		108-94094			
		APPLICATION SPEC			
		114-18853			
		WEIGHT			
		-			
CUSTOMER DRAWING		SCALE 5:1	SHEET 1 OF 1	REV B	



THIS DRAWING IS A CONTROLLED DOCUMENT.	
DIMENSIONS:	TOLERANCES UNLESS OTHERWISE SPECIFIED:
mm	Allgemeintoleranzen
	DIN/ISO 16907-140 CENTER/mittig
	0-PLC ±
	1-PLC ±
	2-PLC ±
	3-PLC ±
	4-PLC ±
	ANGLES ±°
	FINISH
	-