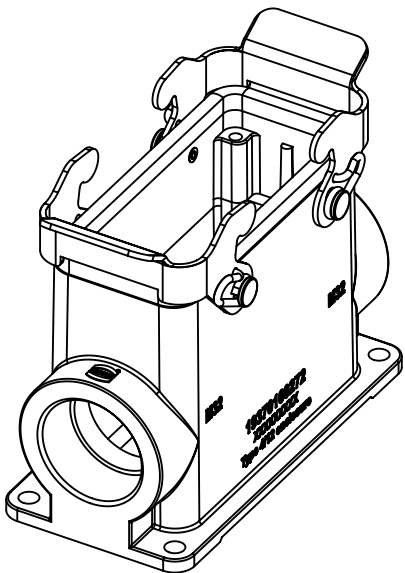
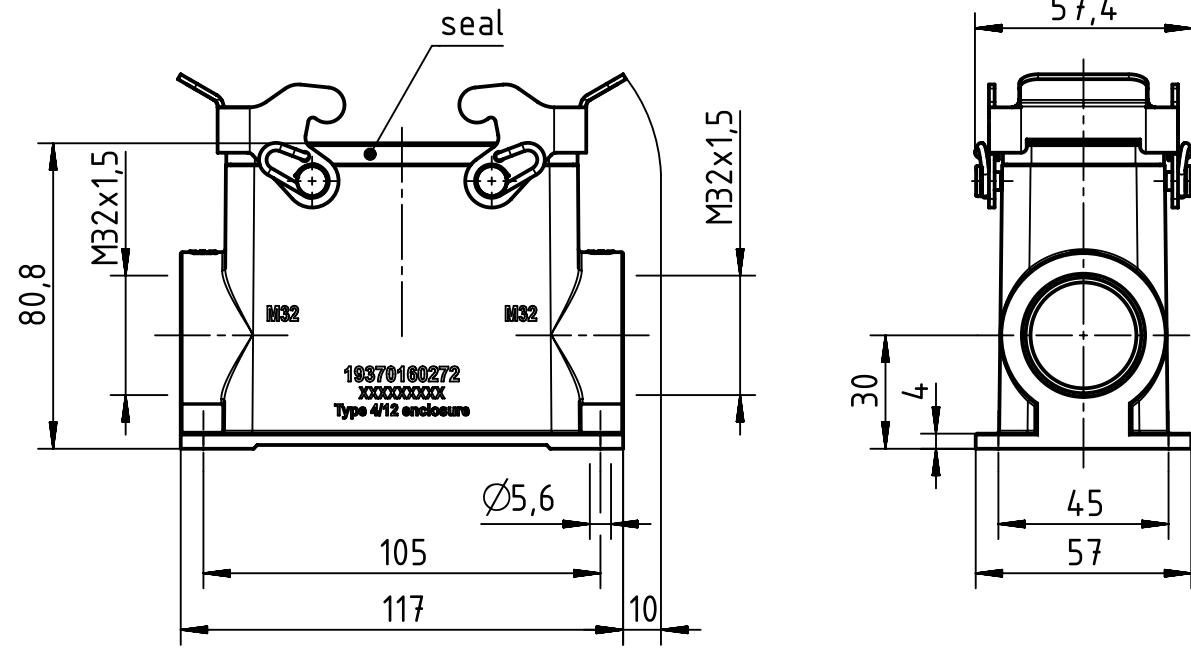


A

B

C

D



| | | | | | | | | | |
|---|--|---|--------------|------------------------------|--------------------------|--|--|------------------------|-------------|
| | All Dimensions in mm Original Size DIN A4 | | Scale 1:2 | Free size tol. | | Ref. Sub. TB 19 37 016 0272 v. 30.05.11 | | | |
| | | All rights reserved Department EL PD | | Created by SPRENB | Inspected by GERB | Standardisation GARSKE | Date 2020-01-07 | State Final Release | |
| HARTING Electric GmbH & Co. KG D-32339 Espelkamp | | | | Title Han 16M-asg2-QB-M32 | | | Doc-Key / ECM-Nr. 100211828/UGD/004/C 500000162090 | | |
| | | | | Type TB | Number 19 37 016 0272 | | | Rev. C | Page 1/1 |