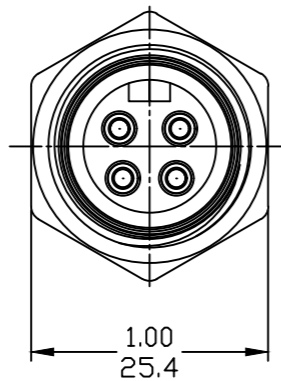
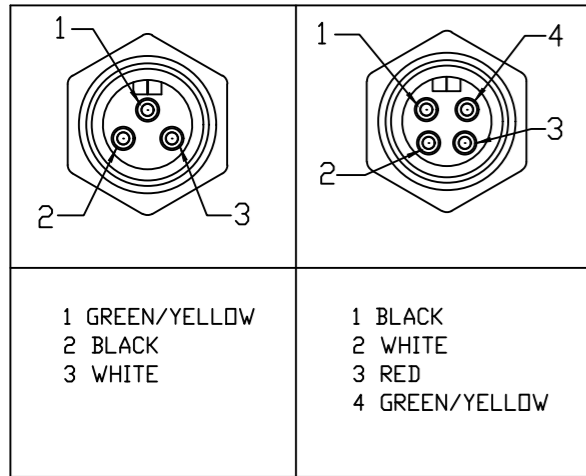


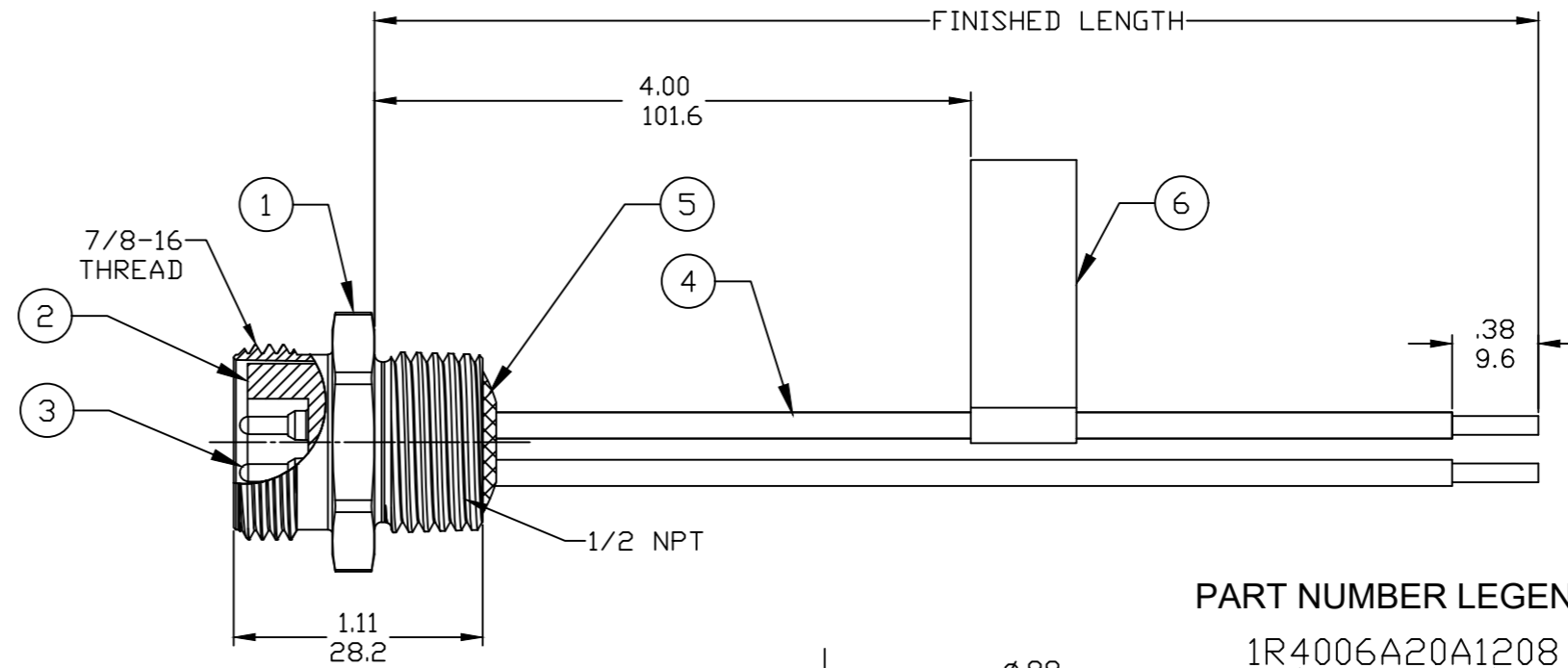
PART NO.	ENGINEERING NO.	FINISHED LENGTH
1300660076	1R4006A20A1208	12 IN
1300131136	1R4006A20F0308	3.0 FT
1300130369	1R4006A20M0108	1.0M

CABLE LENGTH TOLERANCES	
>.3M [1FT]:	+19mm-0 [+ .75in-0]
.3 - .9M [1 - 3FT]:	+44.5mm-0 [+1.75in-0]
.9 - 1.8M [3 - 6FT]:	+55.6mm-0 [+2.19in-0]
1.8 - 3.7M [6 - 12FT]:	+88.9mm-0 [+3.50in-0]
3.7 - 7.3M [12 - 24FT]:	+165.1mm-0 [+6.50in-0]
7.3-14.6M [24 - 48FT]:	+317.5mm-0 [+12.50in-0]
14.6 - 30.5M [48-100FT]:	+622.3mm-0 [+24.50in-0]
OVER 30M [100FT]	+2% OF FINISHED LENGTH

FACE VIEW - MALE INSERT



- NOTES:**
- MATERIAL: AS NOTED
 - FINISH: AS NOTED
 - ELECTRICAL:
VOLTAGE: 600V PER UL 2238
3P 500V PER IEC 60664
4P 483V PER IEC 60664
CURRENT: 3 POLE: 13A
4 POLE: 10A
 - TEMP RATING: -20°TO +105°C
 - PROTECTION: IP67, IP69K (WHEN MATED)
 - UL LISTED, FILE: E258922 FOR 3 & 4 POLE
 - ALL DIMS ARE FOR REFERENCE UNLESS OTHERWISE NOTED



PART NUMBER LEGEND

1R4006A20A1208

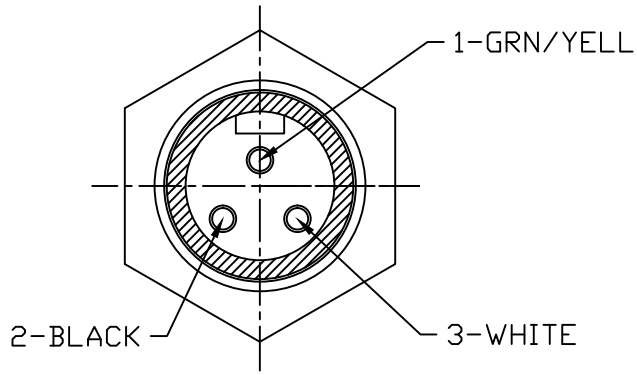
↑ POLES ↑ FINISHED LENGTH:
 A120= 12 IN.
 F030= 3 FEET
 F100= 10 FEET

M005= 0.5 METER
 M010= 1 METER
 M100= 10 METER

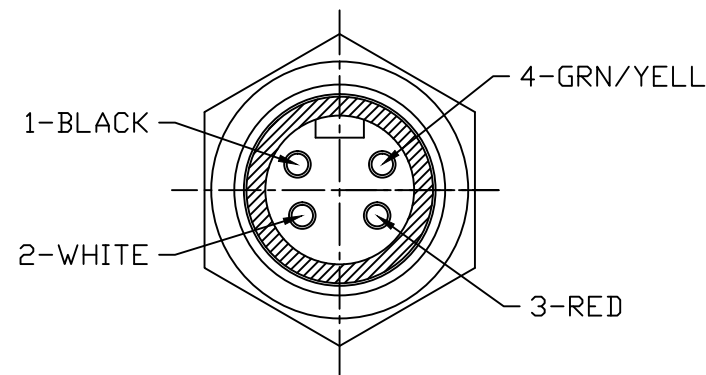
ITEM	COMPONENT	MATERIAL	FINISH
6	LABEL	VINYL	BLACK/YELLOW
5	POTTING	EPOXY	
4	WIRE, 16 AWG, UL 1015	PVC INSUL.	SEE FACE VIEW
3	CONTACT PIN	CU ALLOY	GOLD PLATED
2	INSERT	TPE	YELLOW
1	RECEPTACLE SHELL	STAINLESS STEEL 316	PASSIVATED

FUNCTIONAL SYMBOLS $F=0$ $E=0$ $P=0$ DIVISIONAL SYMBOLS	THIS DRAWING CONTAINS INFORMATION THAT IS PROPRIETARY TO MOLEX ELECTRONIC TECHNOLOGIES, LLC AND SHOULD NOT BE USED WITHOUT WRITTEN PERMISSION		CURRENT REV DESC: INITIAL RELEASE		
	DIMENSION UNITS INCH/MM	SCALE NTS	<div style="text-align: center; font-size: 2em; font-weight: bold;">molex</div> <p>MC MALE RECEPT 3P 4P SS 16 AWG</p> <p>PRODUCT CUSTOMER DRAWING</p> <p>DOCUMENT NUMBER: 1300660076 DOC TYPE: PSD DOC PART: 000 REVISION: A</p>		
	GENERAL TOLERANCES (UNLESS SPECIFIED)				
	4 PLACES ±--- ±--- 3 PLACES ±--- ±--- 2 PLACES ±--- ±--- 1 PLACE ±--- ±--- 0 PLACES ±--- ±---	mm INCH ±--- ±--- ±--- ±--- ±--- ±--- ±--- ±---			
ANGULAR TOL ± 1.0 °					
DRAFT WHERE APPLICABLE MUST REMAIN WITHIN DIMENSIONS		THIRD ANGLE PROJECTION	DRAWING B-SIZE	SERIES 130066	

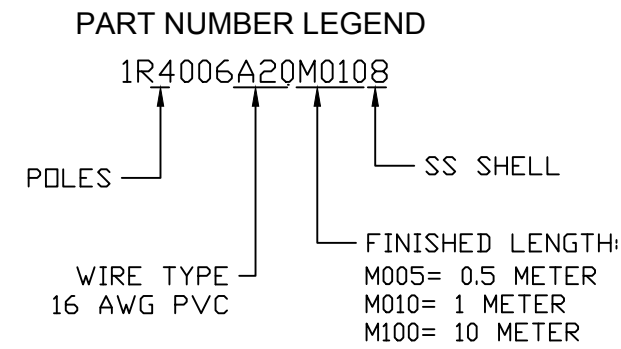
10 9 8 7 6 5 4 3 2 1



FEMALE FACE VIEW-3P

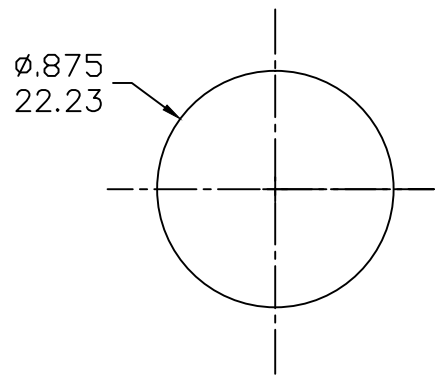


FEMALE FACE VIEW 4P

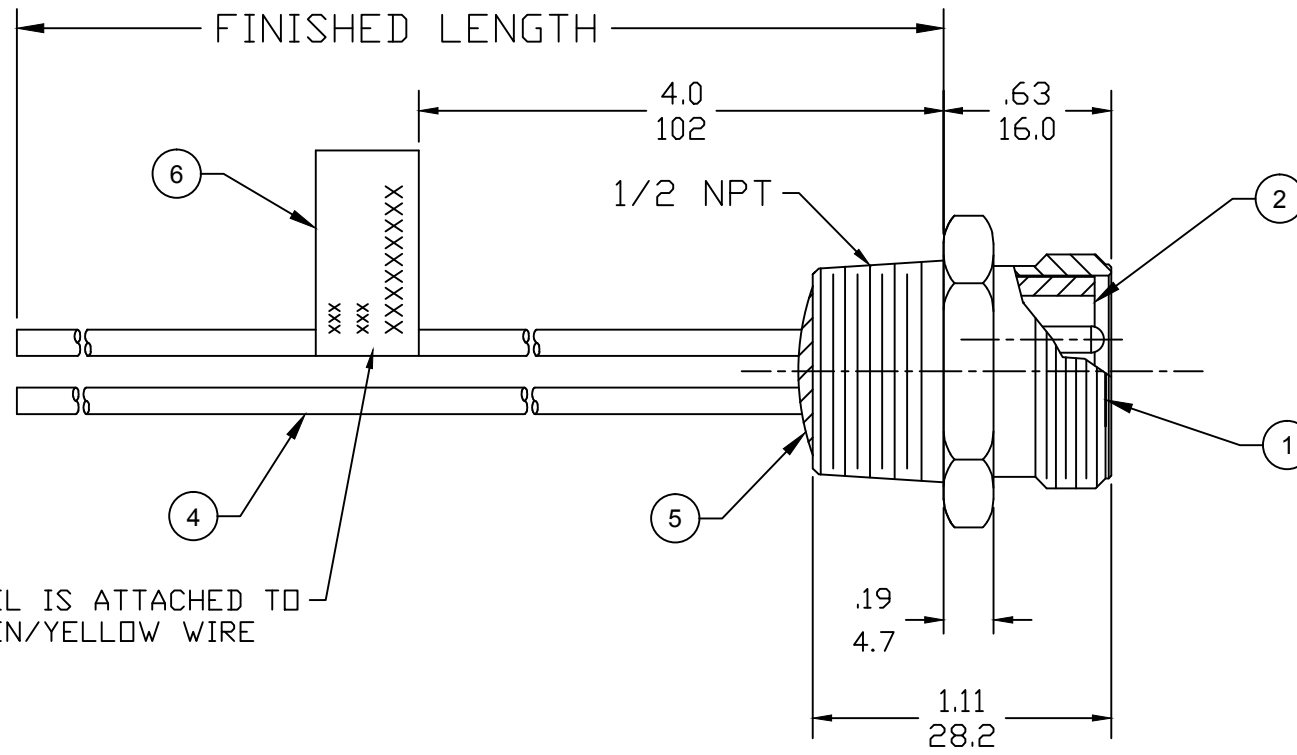


CABLE LENGTH TOLERANCES

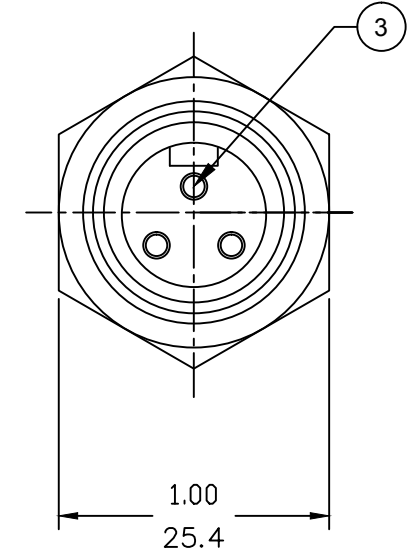
>.3M [1FT]:	+19mm-0 [+ .75in-0]
.3 - .9M [1 - 3FT]:	+44.5mm-0 [+1.75in-0]
.9 - 1.8M [3 - 6FT]:	+55.6mm-0 [+2.19in-0]
1.8 - 3.7M [6 - 12FT]:	+88.9mm-0 [+3.50in-0]
3.7 - 7.3M [12 - 24FT]:	+165.1mm-0 [+6.50in-0]
7.3-14.6M [24 - 48FT]:	+317.5mm-0 [+12.50in-0]
14.6 - 30.5M [48-100FT]:	+622.3mm-0 [+24.50in-0]
OVER 30M [100FT]	+2% OF FINISHED LENGTH



REF. KNOCKOUT HOLE



LABEL IS ATTACHED TO GREEN/YELLOW WIRE



- NOTES:**
- MATERIAL: AS NOTED
 - FINISH: AS NOTED
 - ELECTRICAL:
 VOLTAGE: 3P: 500V PER IEC60664
 4P: 483V PER IEC60664
 600V PER UL2238
 CURRENT- 3P: 13A
 CURRENT- 4P: 10A
 - TEMP RATING: -20°TO +90°C
 - PROTECTION: IP67 (WHEN MATED)
 - COUPLING THREAD: 7/8-16UN
 - UL LISTED FILE: E258922
 CSA CERTIFIED: LR6837
 - ALL DIMS ARE FOR REFERENCE UNLESS NOTED OTHERWISE

CHART

PART NO.	ENGINEERING NO.	FINISHED LENGTH	POLES
1300130369	1R4006A20M0108	1.0M (3FT 3IN)	4

ITEM	DESCRIPTION	MATERIAL	FINISH
6	FLAG LABEL	VINYL	BLACK/YELLOW
5	POTTING MATERIAL	EPOXY	
4	WIRE, 16 AWG UL 1015	PVC INSULATION	SEE FACE VIEW
3	CONTACT PIN	COPPER ALLOY	GOLD PLATED
2	MALE INSERT (A-SIZE)	PVC	YELLOW
1	RECEPTACLE SHELL	ST. STEEL	PASSIVATED

EC NO: IPG2018-0167 DRWN: RSTONE 2017/09/13 CHKD: M ZIELIN APPR: BWOODMAN 2017/10/04 REV A	DESCRIPTION QUALITY SYMBOLS ▽=0 ∇=0	GENERAL TOLERANCES (UNLESS SPECIFIED)		DIMENSION STYLE IN/MM		SCALE ---	DESIGN UNITS INCH	THIRD ANGLE PROJECTION		
		4 PLACES	±---	±---	DRAWN BY	DATE	TITLE MINI-CHANGE RECEPTACLE MALE, 16 AWG ST. STEEL			
		3 PLACES	±---	±---	RSTONE	2017/09/13				
		2 PLACES	±---	±---	CHECKED BY	DATE	MOLEX INCORPORATED DOCUMENT NO. SD-130013-123 SHEET NO. 1 OF 1			
1 PLACE	±---	±---	M ZILEIN	---						
ANGULAR ±---°		DRAFT WHERE APPLICABLE MUST REMAIN WITHIN DIMENSIONS		APPROVED BY DATE BWOODMAN 2017/10/04		SEE CHART THIS DRAWING CONTAINS INFORMATION THAT IS PROPRIETARY TO MOLEX INCORPORATED AND SHOULD NOT BE USED WITHOUT WRITTEN PERMISSION				

10 9 8 7 6 5 4 3 2 1