

6

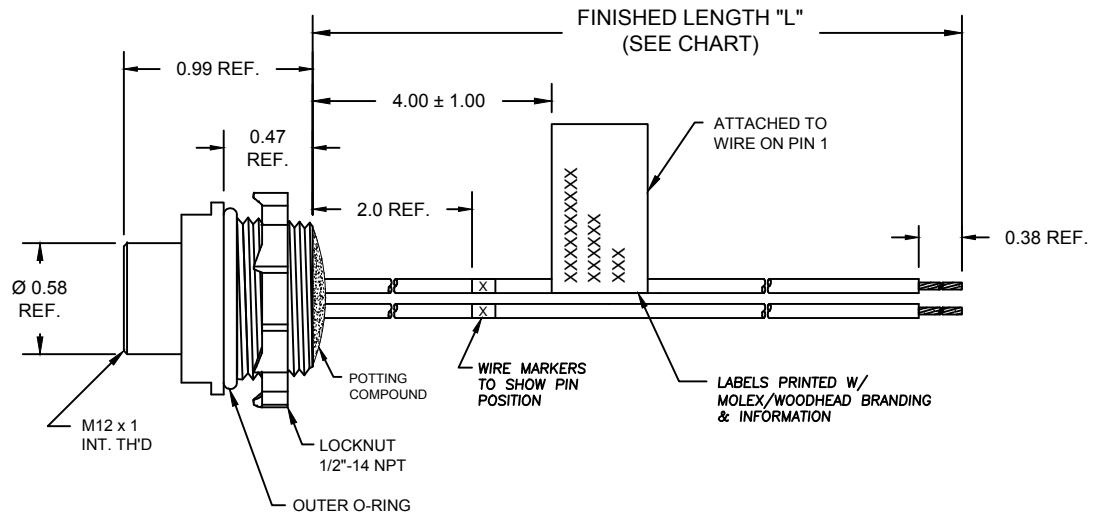
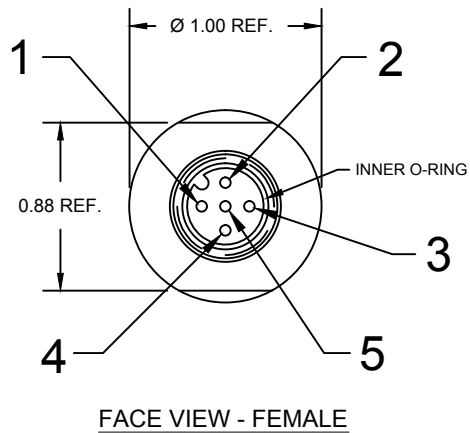
5

4

3

2

1



| | |
|---|-------------|
| 1 | BLUE/YELLOW |
| 2 | BLUE/YELLOW |
| 3 | WHITE/BLUE |
| 4 | BLUE/YELLOW |
| 5 | GREEN |

SPECIFICATIONS:

SHELL MATERIAL: NICKEL PLATED ZINC DIECAST
 CONTACT MATERIAL: GOLD/NICKEL OVER COPPER ALLOY
 INSERT MATERIAL: BLACK NYLON
 INNER O-RING: RED NITRILE
 LOCKNUT: ZINC-PLATED STEEL
 OUTER O-RING: BLACK NITRILE

WIRES: #18-1, PVC LEADS
 ASSEMBLY RATING: 250V, 4A

ENVIRONMENTAL: -20°C TO 105°C
 IP67 WHEN MATED

AGENCY: UL LISTED

| MOLEX SAP P/N# | ENGINEERING P/N# | "L" (Meters) | "L" (INCH) | TOLERANCE (INCH) |
|----------------|------------------|-----------------|---------------|---------------------|
| 1200700483 | 8R5000AB6M020N | 2.0 M | 78.74" | +3.50"/-0.00" |
| 1200700485 | 8R5000AB6M040N | 4.0 M | 157.48" | +6.50"/-0.00" |

| | | | | | | | | |
|---|--------------------------------|---------------------------------------|------|--|---|--------------------|--|------------------------|
| A20110637 RELEASE EC NO: WNA2011-0422 DRWN: YOU 2011/01/28 CHKD: LHARTMAN APPR: JFMURPHY 2012/03/20 | QUALITY SYMBOLS ▽=0 ▽C=0 | GENERAL TOLERANCES (UNLESS SPECIFIED) | | DIMENSION STYLE INCH ONLY | | SCALE 1:1 | DESIGN UNITS INCH | THIRD ANGLE PROJECTION |
| | | | mm | INCH | DRAWN BY YOU | DATE 2011/01/28 | TITLE M12 MICRO-CHANGE RECEPT 5P F/FR 1/2 NPT MOUNT #18-1 PVC WIRES | |
| 2 | REV | 4 PLACES | ±--- | ±--- | CHECKED BY LHARTMAN | DATE 2012/02/17 | MOLEX INCORPORATED | |
| | | 3 PLACES | ±--- | ±.005 | APPROVED BY JFMURPHY | DATE 2012/03/20 | DOCUMENT NO. SD-120070-036 | |
| | | 2 PLACES | ±--- | ±.010 | MATERIAL NO. SEE CHART | | SHEET NO. 1 OF 1 | |
| | | 1 PLACE | ±--- | ±.020 | THIS DRAWING CONTAINS INFORMATION THAT IS PROPRIETARY TO MOLEX INCORPORATED AND SHOULD NOT BE USED WITHOUT WRITTEN PERMISSION | | | |
| | | ANGULAR ±1/2° | | DRAFT WHERE APPLICABLE MUST REMAIN WITHIN DIMENSIONS | | | | |

6

5

4

3

2

1