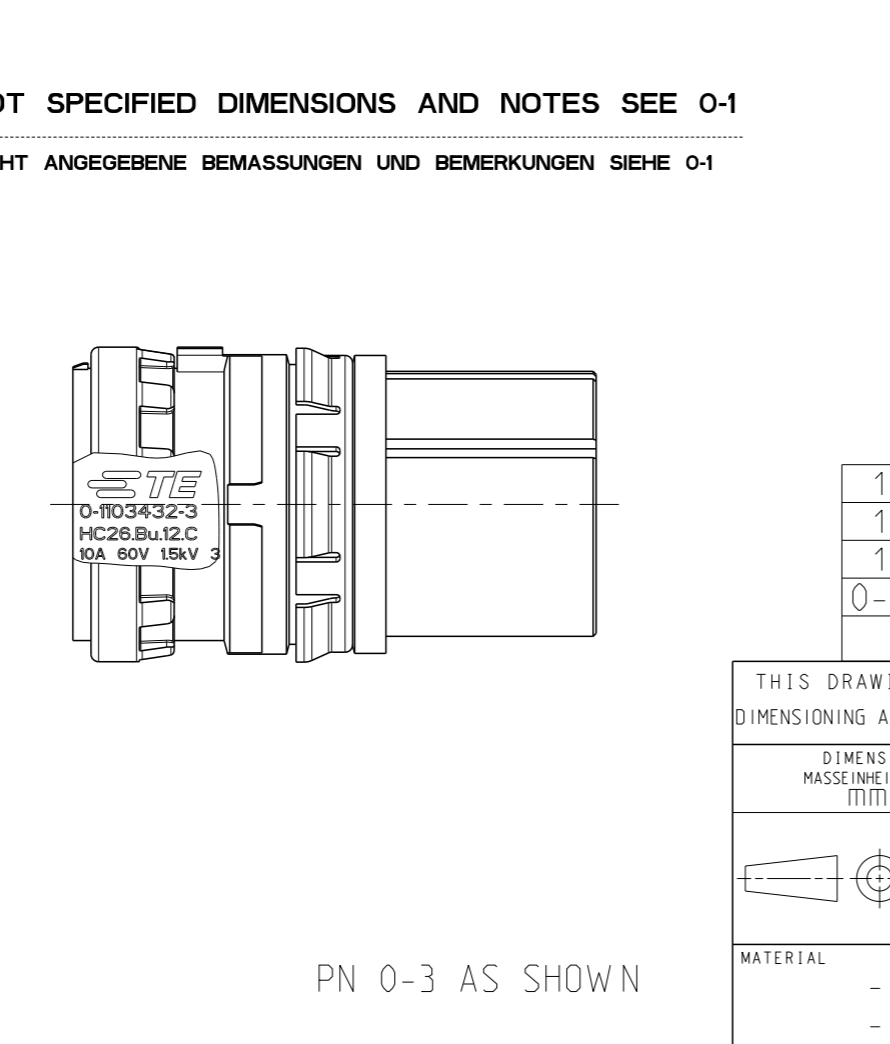
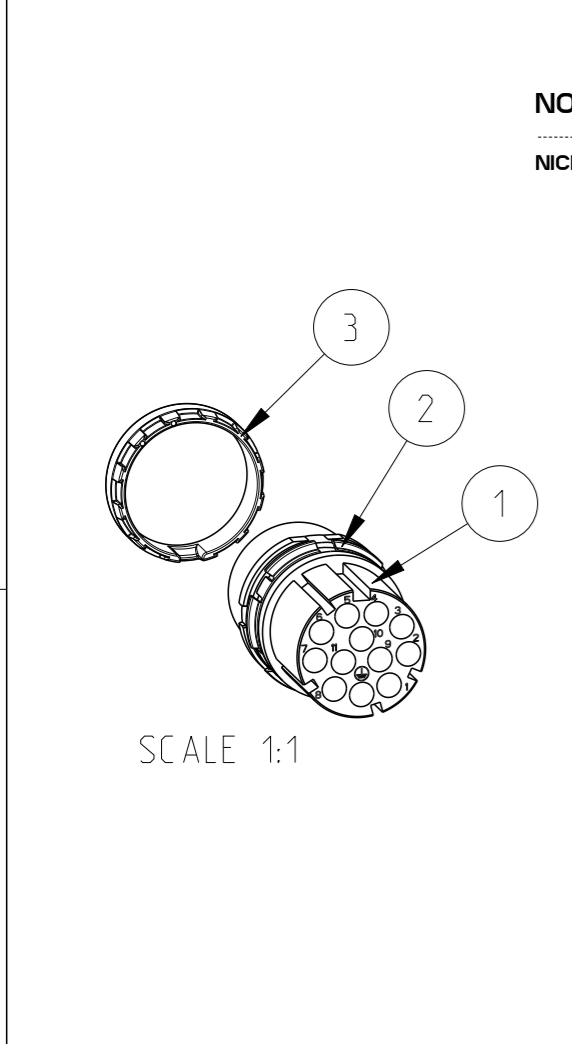


P	LTR	DESCRIPTION BESCHREIBUNG	DATE	DWN	APVD
[3]		VARIANT 0--3 ADDED PER PCN E-15-007254	12MAY2015	ER	DO
[4]		ECR-15-014241	14OCT2015	GSK	JB
[5]		LASER PRINT PARTIAL MOVED TO ITEM NO.1 (PCN E-16-013596)	28SEP2016	ER	DO
[6]		LASER PRINT PARTIAL ADDED FROM ITEM NO.1 (PCN E-17-007296)	02JUN2017	ER	DO

- Notes
- SUITABLE HOUSINGS: SERIES HC26
CUSTOMER DRAWING: 11034XX/33/34/36/37/39/40/70
 - OUTER DIMENSIONS OF INSULATION: MAX. Ø3.2 MM
 - SUITABLE CRIMP CONTACTS:
CUSTOMER DRAWING: 166824
 - SUITABLE SUB-MIN. COAXICON CONTACTS:
CUSTOMER DRAWING: 51565
 - SUITABLE LWL (OPTICS) CONTACTS:
CUSTOMER DRAWING: 216342 AND 1102921
 - SUITABLE INSERTION TOOL:
CUSTOMER DRAWING: 1102855
 - SUITABLE EXTRACTION TOOL:
CUSTOMER DRAWING: 1102855
 - STANDARDS:
DIN EN 61984, DIN EN 60664-1
 - △ POLARIZATION RIPS
 - PACKAGING PN 0-1 AND 0-3:
40 SETS IN A CARTON
 - PACKAGING PN 0-2:
500 SETS IN A CARTON

NOT SPECIFIED DIMENSIONS AND NOTES SEE 0-1
 NICHT ANGEGEBENE BEMASSUNGEN UND BEMERKUNGEN SIEHE 0-1



QTY/PN	DESCRIPTION	MATERIAL	SURFACE/COLOR	NOTE	ITEM
1 - -	ADAPTOR RING	PA66-GF25	GREY	SERIES HC26, INSERT	3
1 1 1	RETAINING RING	PA66-GF25	GREY	SERIES HC26, INSERT	2
1 1 1	FEMALE INSERT	PBT-GF10	GREY	SERIES HC26, 12 POS. TYPE III+	1
0-3 0-2 0-1	DESCRIPTION	MATERIAL	SURFACE/COLOR	NOTE	ITEM

THIS DRAWING IS A CONTROLLED DOCUMENT. DIMENSIONING AND TOLERANCING PER GPS (ISO STANDARDS).

DIMENSIONS: MASSEINHEITEN: (MM)

TOLERANCES UNLESS OTHERWISE SPECIFIED: ALLGEMEINTOLERANZEN

0 PLC	±
1 PLC	±
2 PLC	±
3 PLC	±
4 PLC	±
ANGLES/WINKEL	±

MATERIAL: -

FINISH/OBERFLAECHE/FARBE: -

THIS DRAWING IS A CONTROLLED DOCUMENT. DWN: H.BRAUN 08NOV2007. CHK: T.VETTER 28OCT2008. APVD: T.SCHNURPFEL 28OCT2008. PRODUCT SPEC: 108-74097. APPLICATION SPEC: 114-74103. WEIGHT: -.

STE TE Connectivity

NAME: FEMALE INSERT ASS'Y. SERIES HC26, 12-POS., TYPE III+ CIRCULAR HYBRID CONNECTOR.

SIZE: A3. CAGE CODE: 00779. DRAWING NO: 1103432. RESTRICTED TO NUR FUER: -.

CUSTOMER DRAWING /KUNDENZEICHNUNG. SCALE: 2:1. SHEET: 1 OF 1. REV: C6.