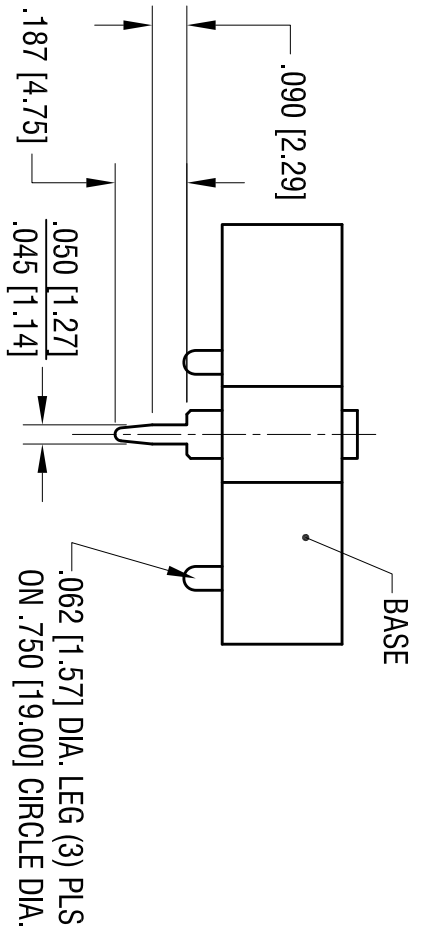
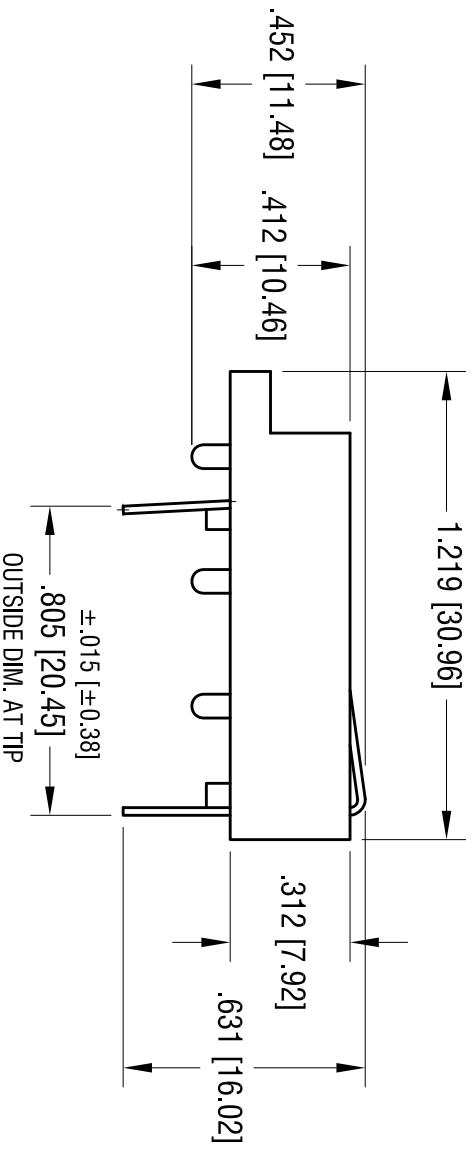
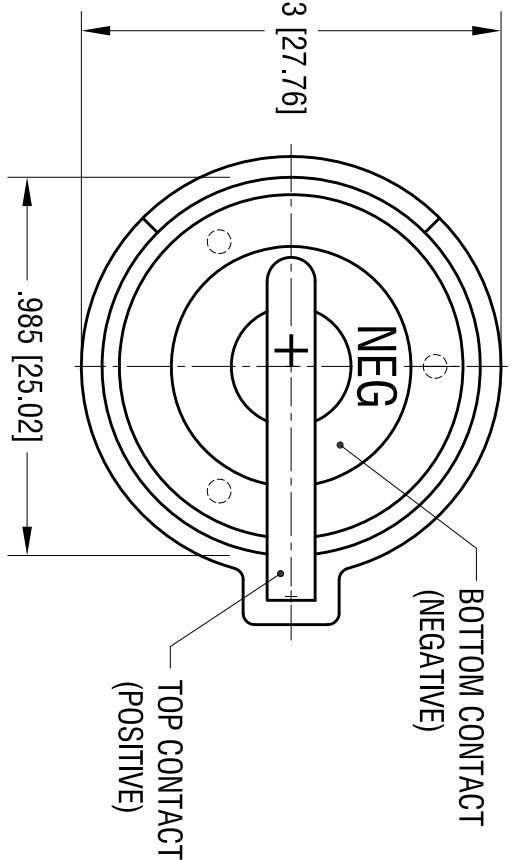
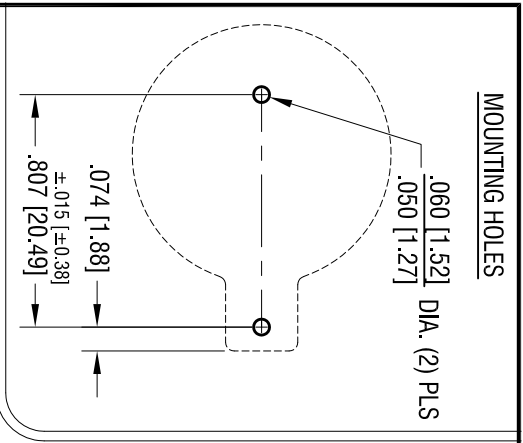
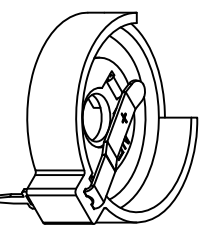


DATE	DESCRIPTION	REV.
9.20.04	CHANGE AS PER ECN 04-115	C
11.2.11	CHANGE AS PER ECN 11-147	D
1.29.21	CHANGE AS PER ECN 21-012	E



- NOTES:
1. BASE:  
MATERIAL - PBT (UL 94V-0), COLOR BLACK
  2. CONTACTS (TOP AND BOTTOM):  
MATERIAL - .020 [0.50] THK SPRING STEEL

FINISH: TIN NICKEL PLATE



ACTUAL SIZE

<p><b>KEYSTONE ELECTRONICS CORP.</b> www.keystec.com • NEW HYDE PARK, NY 11040 • Tel (516) 328-7500</p>			
PART NAME			
COIN CELL PC BATTERY HOLDER			
MATERIAL			
AS NOTED			
FINISH			
AS NOTED			
TOLERANCES	INCH	[MM]	CODE
DECIMAL	± .010	[± 0.25]	C
ANGULAR	± 1°		
UNLESS OTHERWISE SPECIFIED			
DRN BY	BOONE	DATE	8.15.84
APP'D	LN	SCALE	2X
DWG NO.		1025	

THIS DOCUMENT IS THE PROPERTY OF KEYSTONE ELECTRONICS CORP. AND SHALL NOT BE REPRODUCED, DISTRIBUTED OR USED AS A BASIS FOR MANUFACTURE WITHOUT PRIOR WRITTEN PERMISSION FROM KEYSTONE ELECTRONICS CORP.