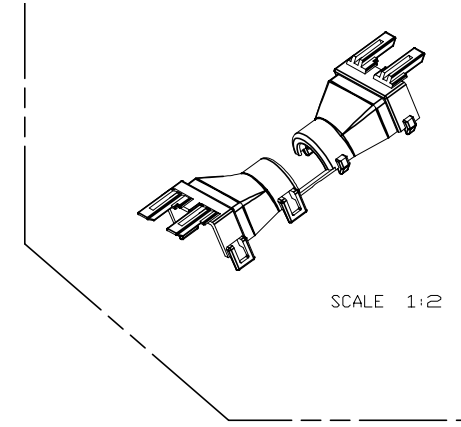
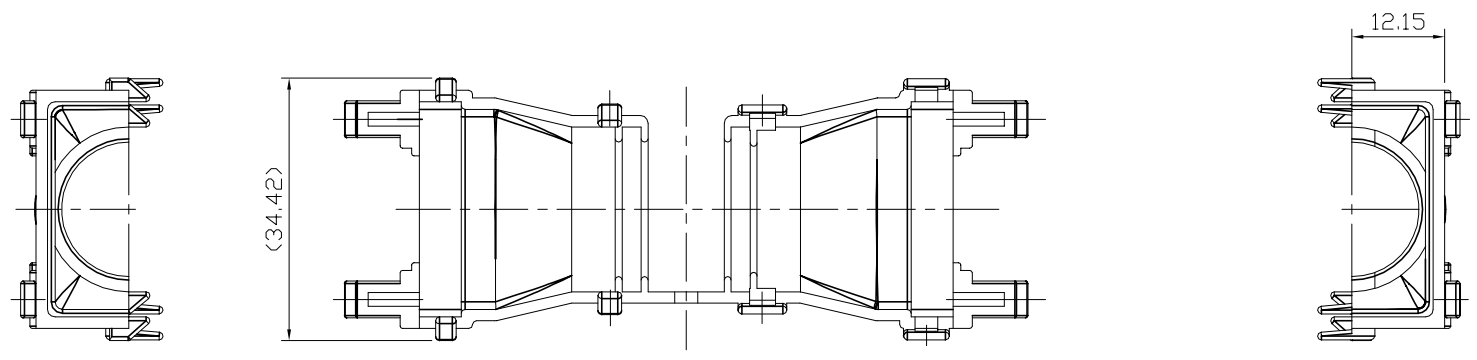


REVISIONS

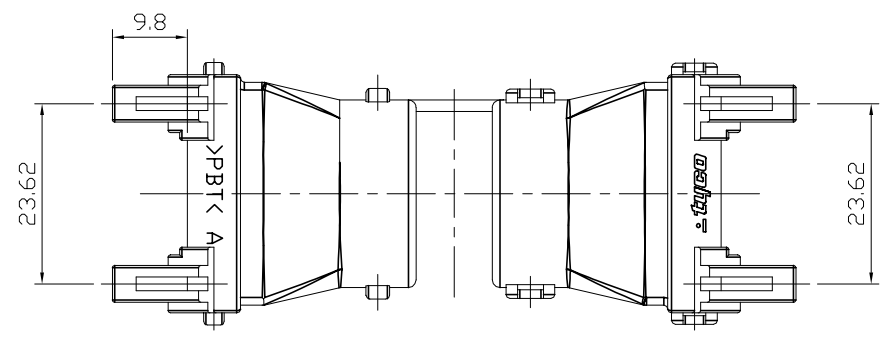
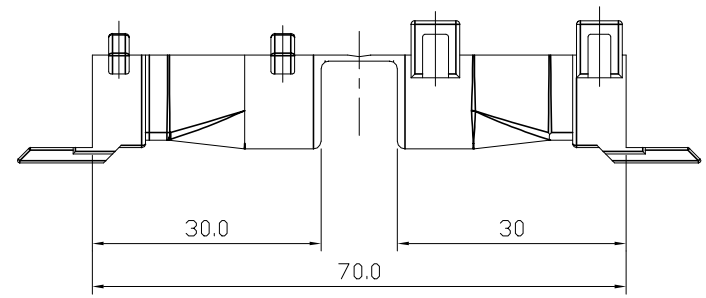
P	LTR	DESCRIPTION	DATE	DWN	APVD
	A1	REVISED	ECR-20-006478	07SEP2020	PSJ SPB



SCALE 1:2

NOTES;

- GENERAL TOLERANCE IS  $\pm 0.3$ ,  $\pm 3^\circ$
- APPLICABLE PLUG HSG : X-1438617-X, X-1438618-X, X-1438619-X, X-1438620-X, X-1438679-X
- APPLICABLE CORRUGATE TUBE :  $\phi 16$  mm
- APPLICATION TEST SPEC. : MS210-06C (EXCEPT 4.4)



COLOR	MATERIAL	DESCRIPTION	P/N
WATER BLUE (RAL 5021)	PBT	COVER HSG	1-1743235-6
SIGNAL BLUE (RAL 5005)	PBT	COVER HSG	1-1743235-5
TRAFFIC PURPLE (RAL 4006)	PBT	COVER HSG	1-1743235-4
DUSTY GRAY (RAL 7037)	PBT	COVER HSG	1-1743235-3
PURPLE VIOLET (RAL 4007)	PBT	COVER HSG	1-1743235-2
OBSOLETE BEIGE (RAL 1001)	PBT	COVER HSG	1-1743235-1
OBSOLETE ORANGE	PBT	COVER HSG	0-1743235-9
OBSOLETE LIGHT BLUE (RAL 5012)	PBT	COVER HSG	0-1743235-8
OBSOLETE MOSS GREEN (RAL 6005)	PBT	COVER HSG	0-1743235-7
OBSOLETE RED	PBT	COVER HSG	0-1743235-6
OBSOLETE YELLOW	PBT	COVER HSG	0-1743235-5
OBSOLETE CLAY BROWN (RAL 8003)	PBT	COVER HSG	0-1743235-4
LIGHT GRAY (RAL 7035)	PBT	COVER HSG	0-1743235-3
BLACK	PBT	COVER HSG	0-1743235-2
NATURAL	PBT	COVER HSG	0-1743235-1

THIS DRAWING IS A CONTROLLED DOCUMENT.		DWN	-					
		CHK	-					
		APVD	-					
		PRODUCT SPEC	-					
		APPLICATION SPEC	-		NAME COVER HSG FOR ACU CONNECTOR 40POS.			
		WEIGHT	0					
MATERIAL		FINISH	-		SIZE	CAGE CODE	DRAWING NO	RESTRICTED TO
SEE TABLE				A3	00779	C-1743235	-	
CUSTOMER DRAWING				SCALE	SHEET	REV		
				FREE	1 of 1	A1		

DIMENSIONS:	TOLERANCES UNLESS OTHERWISE SPECIFIED:
mm	
	$\pm -$
	$\pm -$
	$\pm -$
	$\pm -$
	$\pm -$
	$\pm -$