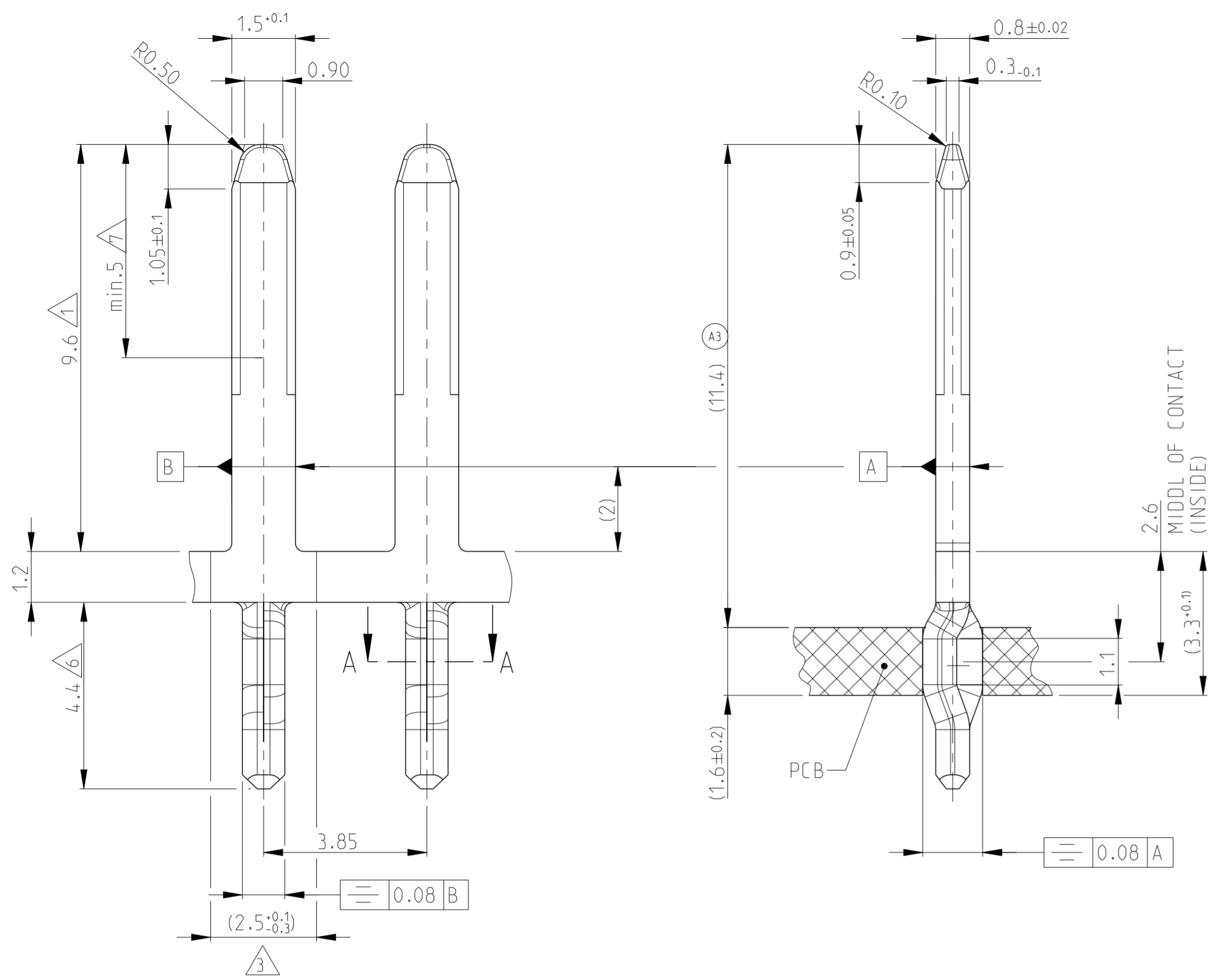
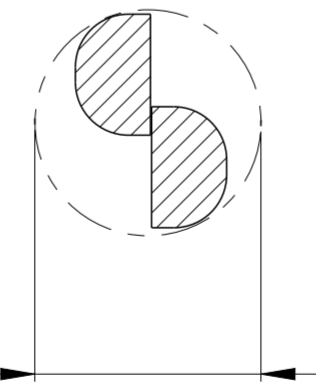


REVISIONS		ÄNDERUNGEN			
P	LTR	DESCRIPTION	DATE	DWN	APVD
A1		PART NO. 2-1563229-2/-3 ADDED	24SEP2014	RM	JRY
A2		NOTE 7 CHANGED. NOTE 8 ADDED	01DEC2014	RM	HJA
A3		VIEWED PCB POSITION CORRECTED	20JAN2016	ST	PNI



A-A
20:1

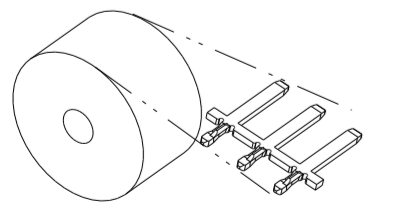


NOTES:
BEMERKUNGEN:

- 1 2 µm-4 µm Sn OVER 1.2 µm-2.7 µm Ni
2 µm-4 µm Sn UEBER 1.2 µm-2.7 µm Ni
- 2 RESTRING UEBERSTAND MIN. 50 µm
- 3 DIMENSION OF LOOSE PIECE MASS FUER EINZELTEIL
- 4 TO BE REELED ON PANCAKE REEL WITH INTERLEAVING PAPER PAPPSPULEN MIT ZWISCHENLAGENPAPIER
- 5 TO BE REELED ON PLASTIC REEL WITH INTERLEAVING PAPER KUNSTSTOFFSPULEN MIT ZWISCHENLAGENPAPIER
- 6 0.8 µm-1.8 µm Sn OVER 1.2 µm-2.7 µm Ni (ACTION PIN AREA)
0.8 µm-1.8 µm Sn UEBER 1.2 µm-2.7 µm Ni (ACTION-PIN-BEREICH)
- 7 MIN. 0.8 µm Au OVER 1.0 µm-2.2 µm Ni
MIN. 0.8 µm Au UEBER 1.0 µm-2.2 µm Ni
- 8 MAX. TWO LOOSE SPLICES PER REEL
MAX. ZWEI LOSE TRENNSTELLEN PRO SPULE

PLATED THROUGH HOLE SPECIFICATION		SPEZIFIKATION FUER DURCHPLATIERTE BOHRUNGEN	
Cu THICKNESS KUPFER-SCHICHTDICKE	25-50 µm	Sn THICKNESS ZINN-SCHICHTDICKE	4-15 µm
DRILLED HOLE Ø1.5±0.025 BOHRLOCH-Ø1.5±0.025	FINISHED HOLE Ø1.29 ^{+0.15} PLATIERTER LOCH-Ø1.29 ^{+0.15}		

DIRECTION OFF TOP OF REEL



1-	-2
1-	-3
2-	-2
2-	-3



TE PART NO.	REV.	MATERIAL	SURFACE	REEL PACKING
2-1563229-3	A	CuSn 4	6 + 7	5 8
2-1563229-2	A	CuSn 4	6 + 7	4 8
1-1563229-3	A	CuSn 4	1 + 6	5 8
1-1563229-2	A	CuSn 4	1 + 6	4 8

DIMENSIONS: MASSENHEITEN: (mm)		TOLERANCES UNLESS OTHERWISE SPECIFIED: ALLGEMEINTOLERANZEN	
0-PLC	±0.2	0-PLC	±0.2
1-PLC	±0.1	1-PLC	±0.1
2-PLC	±0.1	2-PLC	±0.1
3-PLC	±0.1	3-PLC	±0.1
4-PLC	±0.1	4-PLC	±0.1
ANGLES /WINKEL	±	FINISH /OBERFLAECHE/FARBE	-

DWN	31AUG2007
H.-J. Arnold	
CHK	31AUG2007
J. Ryll	
APVD	-
PRODUCT SPEC	108-18867
APPLICATION SPEC	114-18570
WEIGHT	0.14 g
Customer Drawing	

		TE Connectivity	
NAME			
TAB 1.5 x 0.8 WITH ACTION PIN Flachstecker 1.5 x 0.8 mit ACTION PIN			
SIZE	CAGE CODE	DRAWING NO.	RESTRICTED TO
A2	-	114-18570	NUR FUER
SCALE	SHEET	REV	
MASSSTAB 10:1	BLATT 1	A3	