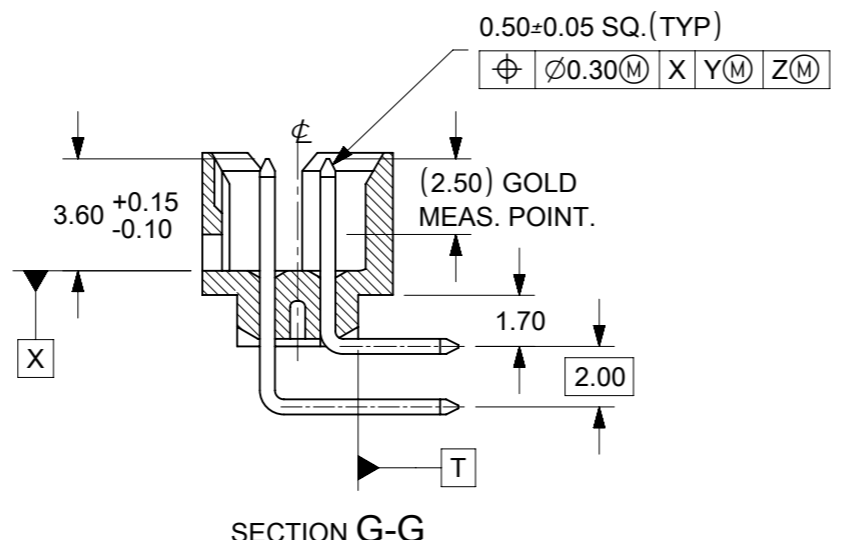


RECOMMENDED PCB PATTERN

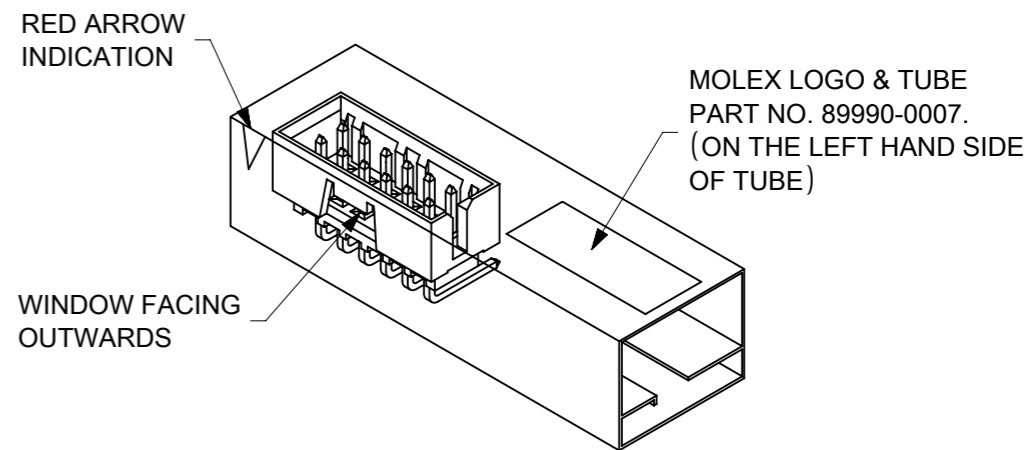


PART NUMBER LEGEND
 87833 - * * 3 *
 CKT SIZE PLATING OPTION

3 - 0.38µm/15µin GOLD IN CONTACT AREA AND 1.88µm/75µin MIN. TIN IN SOLDER TAIL AREA OVER 1.27µm/50µin MIN. NICKEL OVERALL.

4 - 0.76µm/30µin GOLD IN CONTACT AREA AND 1.88µm/75µin MIN. TIN IN SOLDER TAIL AREA OVER 1.27µm/50µin MIN. NICKEL OVERALL.

PART NO.	CKT SIZE	DIMENSION				
		A	B	C	D	E
87833-043*	4	2.00	4.85	6.65	5.00	1.00
87833-063*	6	4.00	6.85	8.65	7.00	2.00
87833-083*	8	6.00	8.85	10.65	9.00	3.00
87833-103*	10	8.00	10.85	12.65	11.00	4.00
87833-123*	12	10.00	12.85	14.65	13.00	5.00



ORIENTATION OF PART IN TUBE.
 (FOR THE REFERENCE OF PART/TUBE ASSEMBLY.)

- NOTES:**
- FOR ILLUSTRATION PURPOSES, 8 CKT. SIZE WAFER IS SHOWN.
 - MATERIAL:
 HOUSING: 30% GF, NYLON 46
 UL 94v-0, COLOR BLACK
 PIN : 0.50mm SQ. PHOSPHOR BRONZE
 - PIN PUSHOUT FORCE 0.91kg MIN.
 - CKT 4 & 6 HAS NO IDENTIFICATION TAG.
 - PRODUCT SPECIFICATION PS-87831-027 APPLIES.
 - THIS HEADER MATES WITH MOLEX:
 a) CRIMP RECEPTACLE HOUSING, 51110 SERIES WITH CRIMP TERMINAL, 50394 SERIES.
 b) 2mm MILLIGRID DUAL ROW IDT, 87568 SERIES.
 - PARTS TO BE PACKED IN TUBE WITH MOISTURE BARRIER BAG.
 - NO CENTRE POLARIZATION SLOT FOR CKT 4 AND 6.

SYMBOLS		THIS DRAWING CONTAINS INFORMATION THAT IS PROPRIETARY TO MOLEX ELECTRONIC TECHNOLOGIES, LLC AND SHOULD NOT BE USED WITHOUT WRITTEN PERMISSION		CURRENT REV DESC: MIGRTAED TO ECTR		molex	
▽ = 0	MM	SCALE	1:1	EC NO: 611028			
▽ = 0	GENERAL TOLERANCES (UNLESS SPECIFIED)		MM	INCH	DRWN: ME	2019/01/17	PRODUCT CUSTOMER DRAWING
▽ = 0	4 PLACES	±	±	CHK'D: MKAMATHMARAK	2019/01/25	DOCUMENT NUMBER	
▽ = 0	3 PLACES	±	±	APPR: ME	2019/01/28	SD-87833-037	
▽ = 0	2 PLACES	±	0.2	INITIAL REVISION:		DOC TYPE	
▽ = 0	1 PLACE	±	±	DRWN: ATSEE	2004/09/08	DOC PART	
▽ = 0	0 PLACES	±	±	APPR: SKTOH	2004/09/23	REVISION	
▽ = 0	ANGULAR TOL	±	3.0°	DRAWING		A3-SIZE	
▽ = 0	DRAFT WHERE APPLICABLE MUST REMAIN WITHIN DIMENSIONS		THIRD ANGLE PROJECTION		SERIES	87833	
▽ = 0					MATERIAL NUMBER	SEE TABLE	
				CUSTOMER		GENERAL MARKET	
				SHEET NUMBER		1 OF 1	