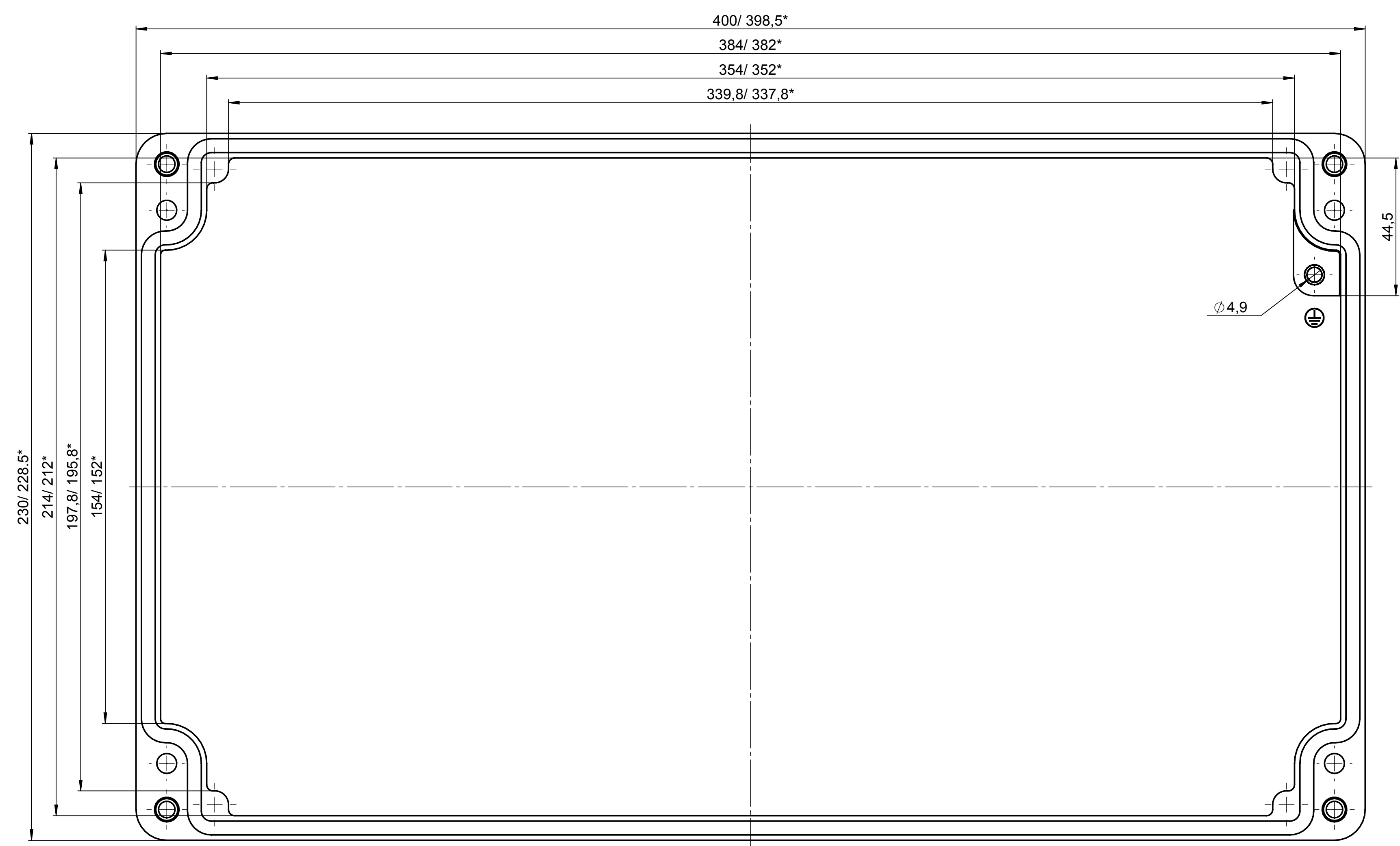
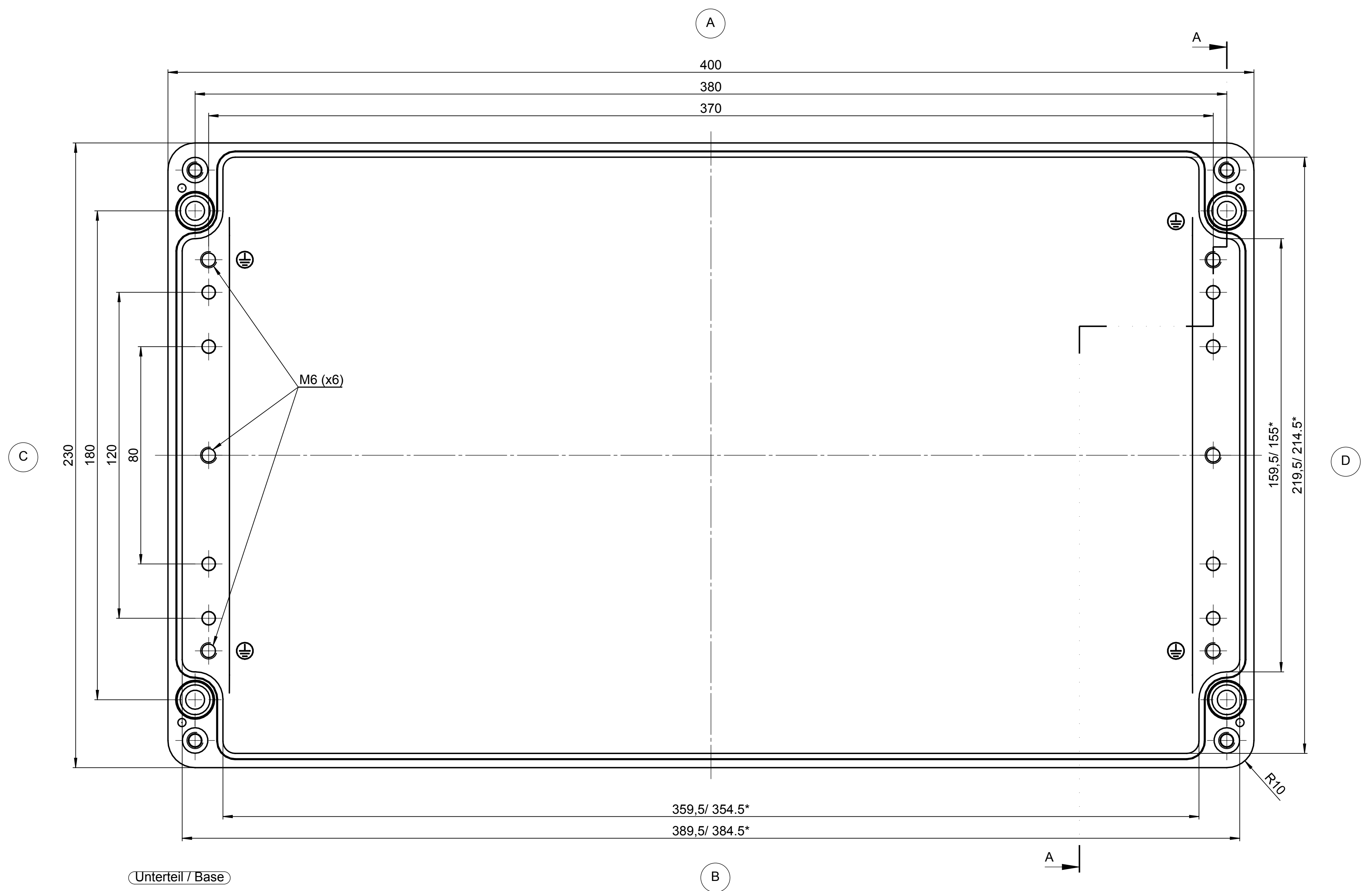


All rights reserved. No copies or reproductions are permitted without the written consent of the manufacturer. The manufacturer is not liable for any damage or injury resulting from the use of the product.

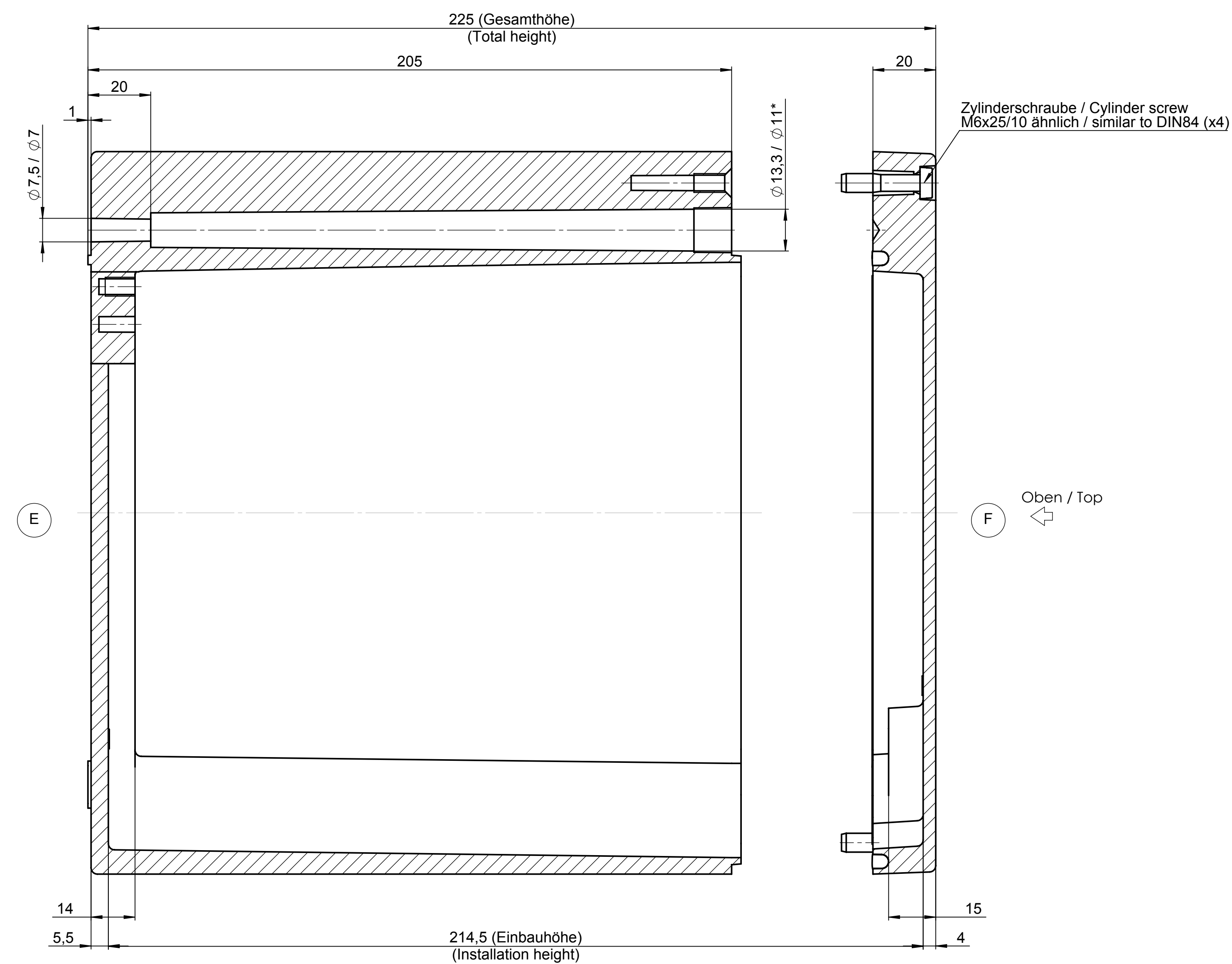


Deckel / Lid

\* = Mass durch Formkonizität nach unten verringert.  
 Freimass - Toleranz nach GTA 14/5 - DIN 1688  
 \* = Dimensions reduced in the lower part by mould incline  
 General tolerances according to GTA 14/5 - DIN 1688



Unterteil / Base



Oben / Top

Index		Änderung/Modification		Datum/Date		Name		Projekt-Nr./project-no.	
ROSE		Systemtechnik GmbH		10.11.16		D.Mack		7.97kg	
Scale		Benennung/Description		checked		J.Pla		Werkstoff/Material	
1:1		Aluminium Gehäuse		30.11.16		J.Pla		DIN 1688-GTA 13/5	
DIN A0		Aluminium enclosure						KAT01.234023	