

Hybrid Motor With Batteryless Absolute Encoder

M23PM-K

Minebea

Outline

56mm \square

1.8°/step

UNIT: $\frac{\text{mm}}{\text{inch}}$

Model	"M"	"L"
M23KMK358x	50.0(2.0)	64.0(2.52)
M23KMH049x	55.0(2.17)	69.0(2.72)
M17PMH744x	77.0(3.03)	91.0(3.58)

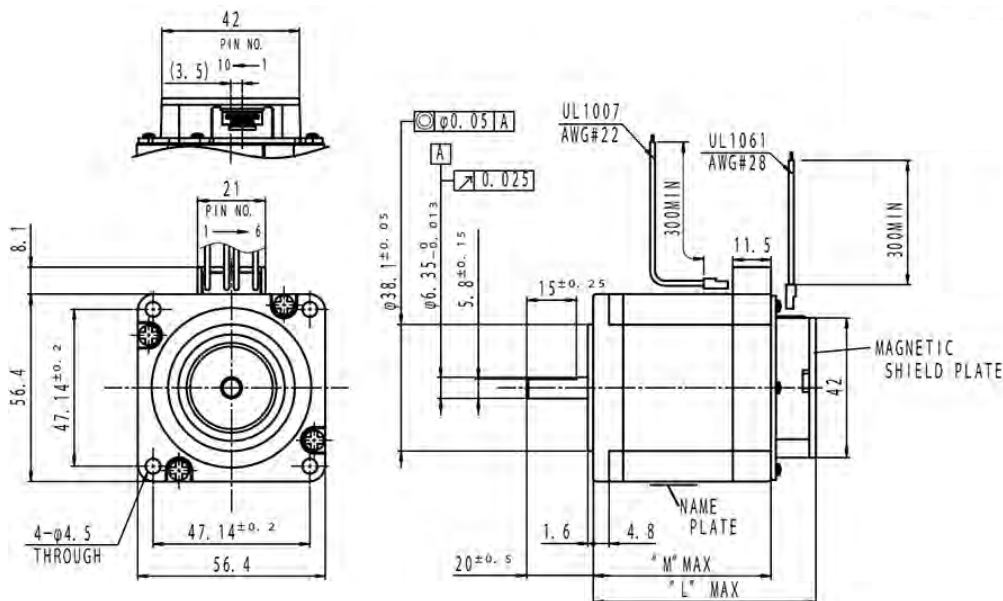


For Motor

PIN NO.	1	2	3	4	5	6
L/W Color	Org	-	Blu	Yel	-	Red
Phase	\bar{B}	-	B	\bar{A}	-	A

For Encoder

PIN NO.	1	2	3	4	5	6	7	8	9	10
L/W Color	Red	Prl	Gry	Wht	Grn	Brn	Yel	Blu	Org	Blk
Signal	Vcc	RS485-	RS485+	PA	NA	PB	NB	PZ	NZ	GND



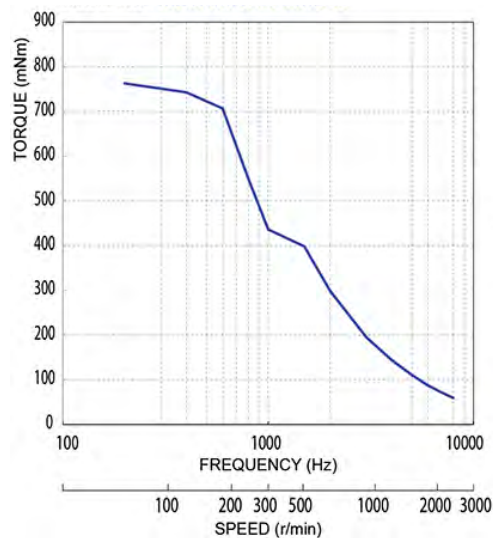
Specifications

MODEL	Step Angle	Drive Sequence	Rated Current	Resistance	Holding Torque	Inductance	Rotor Inertia	Detent Torque	Encoder Resolution	Mass	Max. Turn Count
	(deg)		(A)	(Ohms)	(mNm)	(mH)	(g·cm ²)	(mNm)	CPR		
M23KMK358CMB03	1.8	BI-POLAR	1.7	1.9	800	7.8	180	29	4000	660	1000
M23KMH049CMB03	1.8	BI-POLAR	2.0	0.9	1300	3.7	320	54	4000	750	1000
M23KMH744CMB03	1.8	BI-POLAR	3.0	0.7	1800	2.8	490	93	4000	1130	1000

Torque / Speed Characteristics

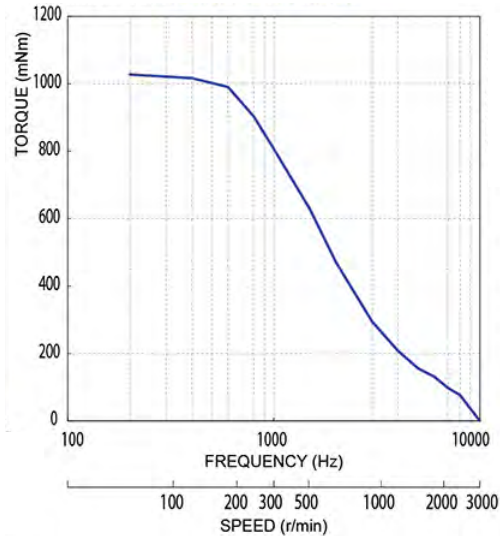
Model No: M23KMK358CMB03

Driver: Chopper Dual
Supply Voltage: 24.0 (Volt)



Model No: M23KMH049CMB03

Driver: Chopper Dual
Supply Voltage: 24.0 (Volt)



Model No: M23KMH744CMB03

Driver: Chopper Dual
Supply Voltage: 24.0 (Volt)

