

## Features

- **Economical, fifth-generation line interface solution for VoIP processors and SoCs**
- **Dual Channel Architecture**
- **Single port 4-wire interface control (ZSI)**
  - Compatible with numerous VoIP processors and SoC solutions
  - Less expensive isolation than multi-port control
  - Simplifies board routing
- **VoicePath SDK and VP-API-II Software available to implement FXS functions**
- **VeriVoice Professional Test Suite Software**
  - Comprehensive subscriber loop testing, including *Telcordia GR-909-CORE / TIA-1063* diagnostic testing
  - Industry leading advanced test software
- **VeriVoice Manufacturing Test Package (VVMT)**
  - Facilitates factory testing and calibration of assembled boards
- **Low cost, Energy Efficient Shared Switching Regulator Architectures**
  - Dual Output power supplies
  - Integrated battery switches
  - Up to 70 V<sub>RMS</sub> open circuit ringing with 5 REN load
- **Low cost, 2-Layer PCB Reference Designs**
- **Complete Wideband BORSCHT functionality**
- **Worldwide Programmability**
- **Per channel Narrowband or Wideband operation**

## Applications

- **DSL Residential Gateways and Integrated Access Devices (IADs)**
- **Cable Embedded Multimedia Terminal Adapters (eMTAs)**
- **PON Single Family Units (SFU)**
- **Fiber-to-the-premise (FTTX) solutions**

Document ID# 147600

Version 2

October 2013

### Ordering Information

Device OPN	Device Type	Package	Packing
Le9662WQCT	SLIC, BBABS/FBABS	56-pin QFN	Tape&Reel
Le9662WQC	SLIC, BBABS/FBABS	56-pin QFN	Tray

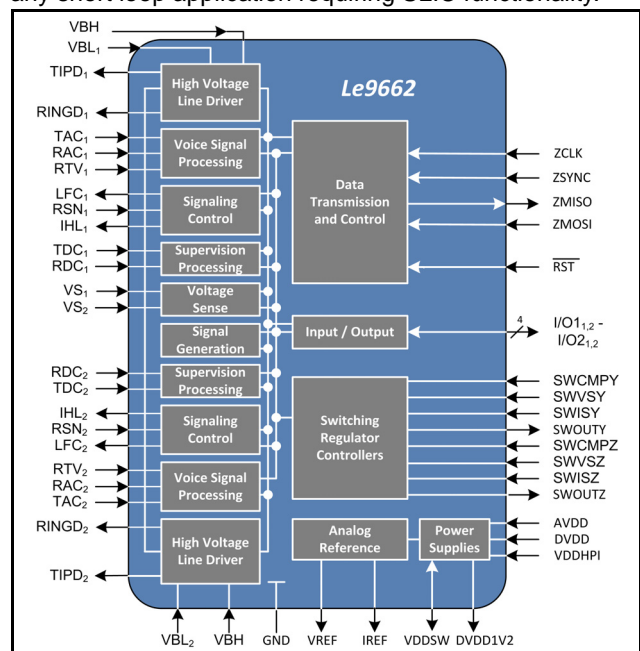
*These Green packages meet RoHS Directive 2002/95/EC of the European Council to minimize the environmental impact of electrical equipment.*

## Description

The miSLIC™ Line Circuits together with a VoIP processor or SoC, provides an economical turn-key solution for derived voice applications. The miSLIC devices are controlled by a VoIP processor or SoC through a simple, single serial interface.

The dual channel Le9662 miSLIC device uses energy efficient shared power supply topologies for reduced BOM cost. The Le9662 can be configured for patent-pending shared Buck-Boost Automatic Battery Switching (BBABS) or for shared Flyback ABS (FBABS) operation. Ringing and system power management are supported to limit the peak power requirements of each telephone line FXS port. The dual channel Le9662 features wideband clarity and complete BORSCHT functionality.

Manufacturing self test and subscriber line diagnostics are available features. All AC, DC, and power parameters are programmable making the Le9662 device suitable for any short loop application requiring SLIC functionality.



**Figure 1 - Le9662 Block Diagram**

