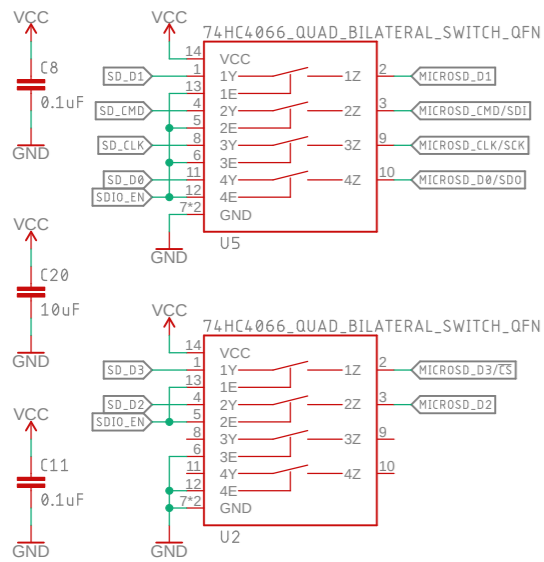
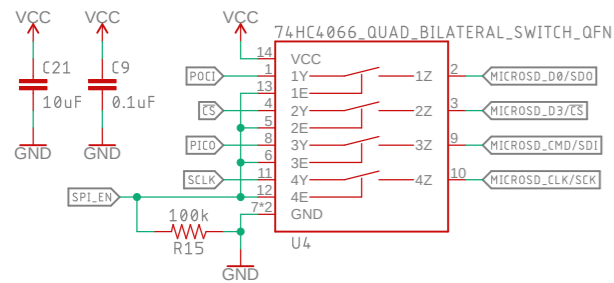


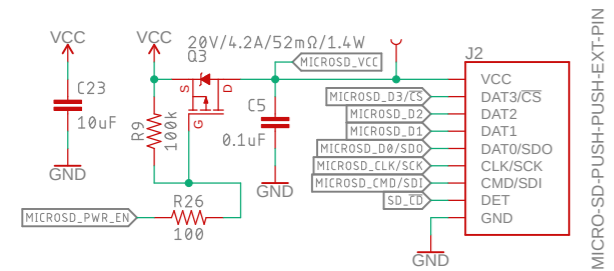
### SDIO Buffers



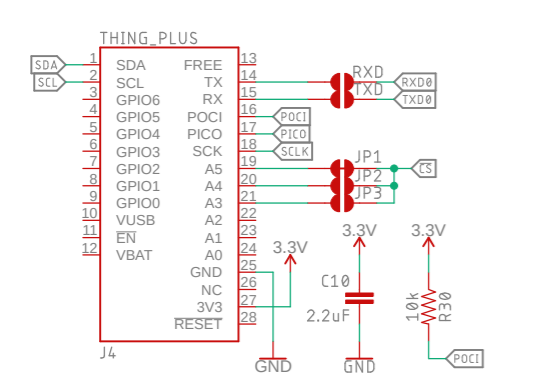
### SPI Buffer



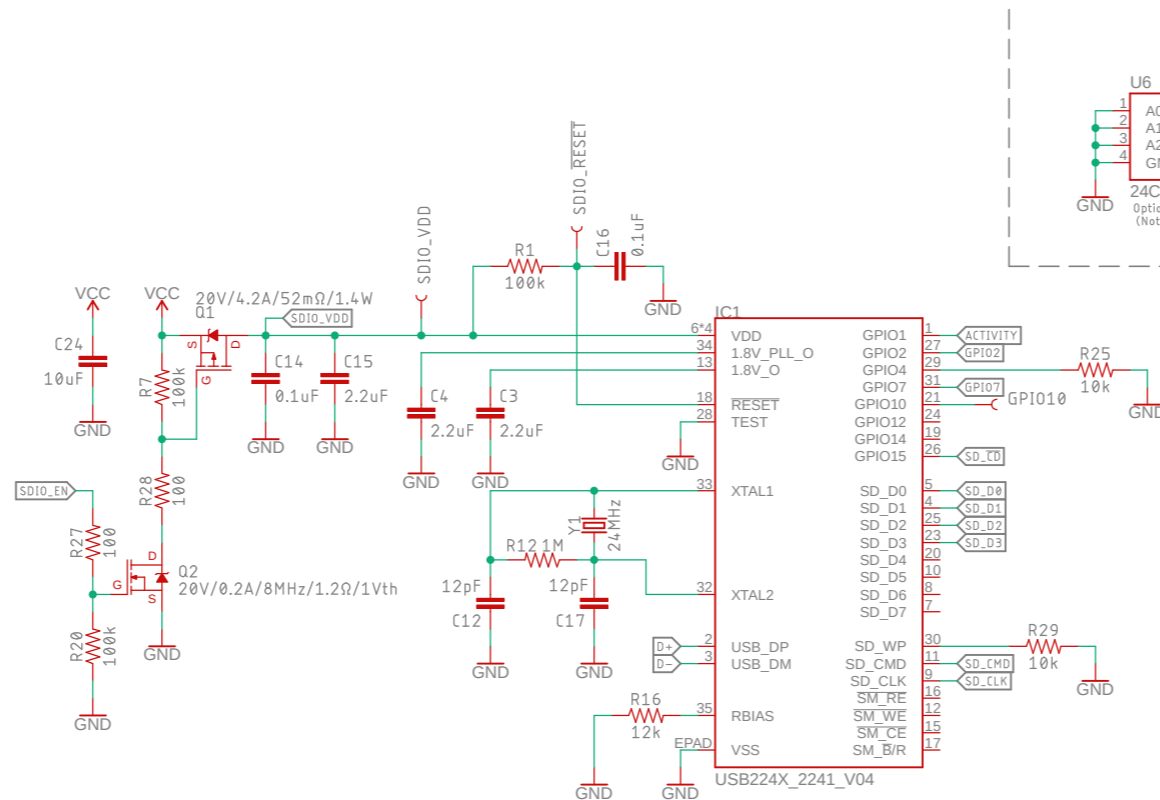
### microSD Socket



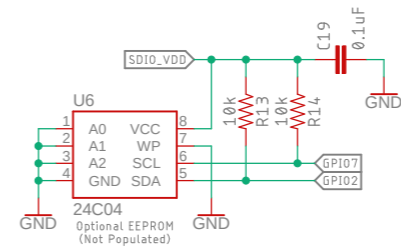
### Thing Plus Footprint



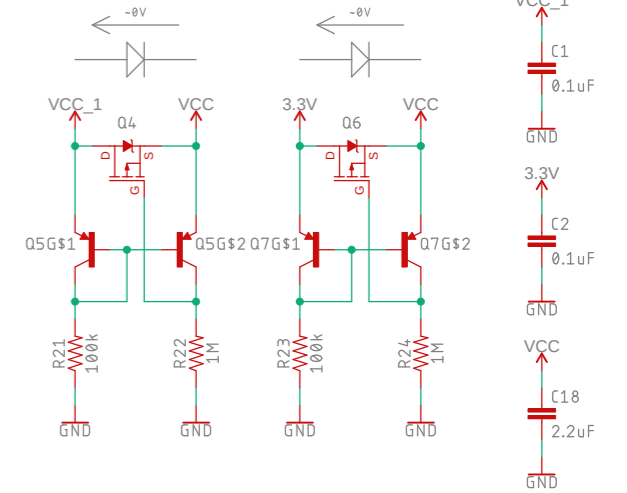
### USB to SDIO Interface (USB2241)



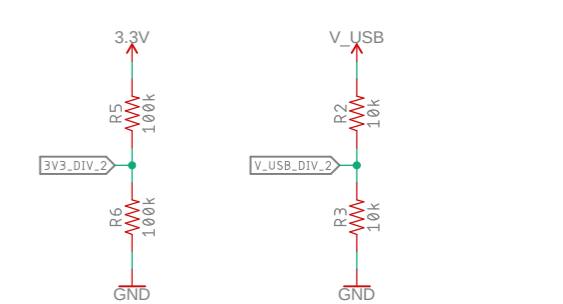
### Optional EEPROM



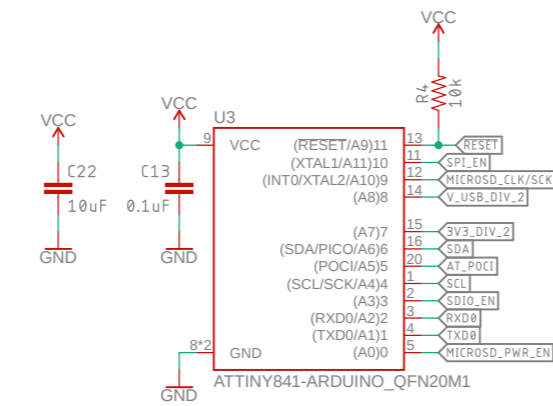
### Power Mux



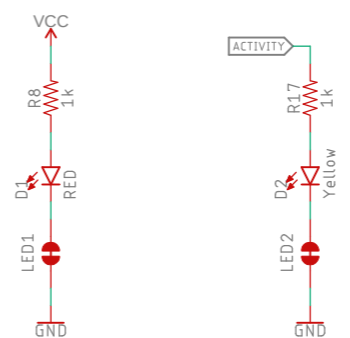
### Voltage Sensing



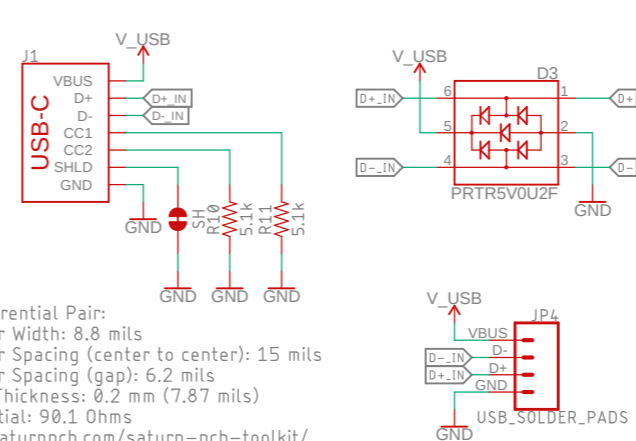
### Attiny841



### LEDs

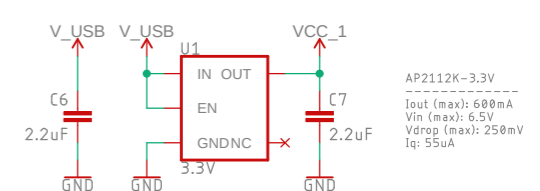


### USB



USB Differential Pair:  
 Conductor Width: 8.8 mils  
 Conductor Spacing (center to center): 15 mils  
 Conductor Spacing (gap): 6.2 mils  
 Prepreg Thickness: 0.2 mm (7.87 mils)  
 Zdifferential: 90.1 Ohms  
<https://saturnpcb.com/saturn-pcb-toolkit/>

### USB Voltage Regulation



Released under the Creative Commons Attribution Share-Alike 4.0 License  
<https://creativecommons.org/licenses/by-sa/4.0/>

TITLE: Dual-Port\_Logging\_Shield  
 Design by: Paul Clark  
 REV: v11

Date: 10/05/2022 10:15 Sheet: 1/1