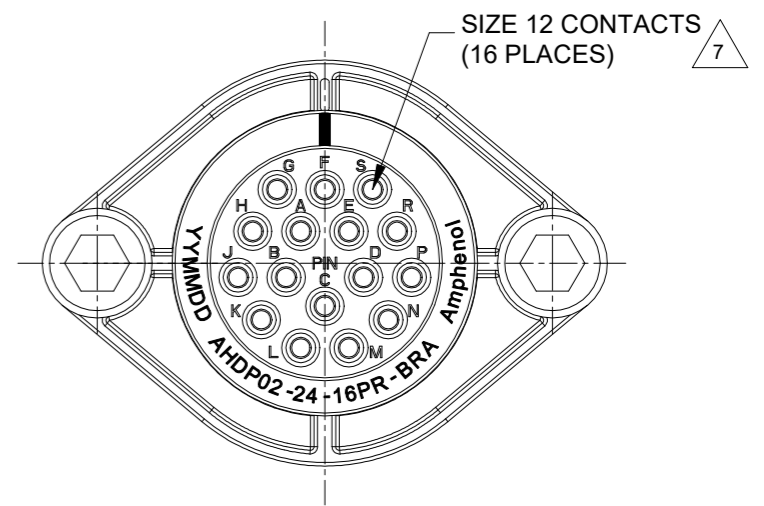
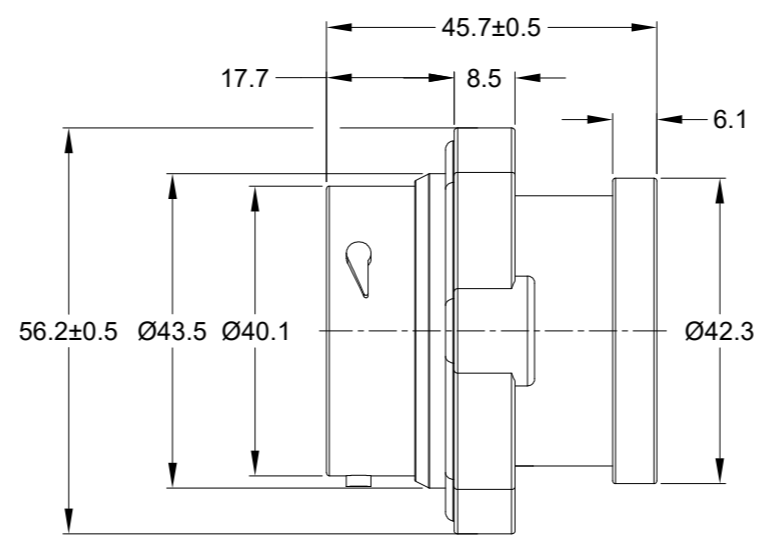
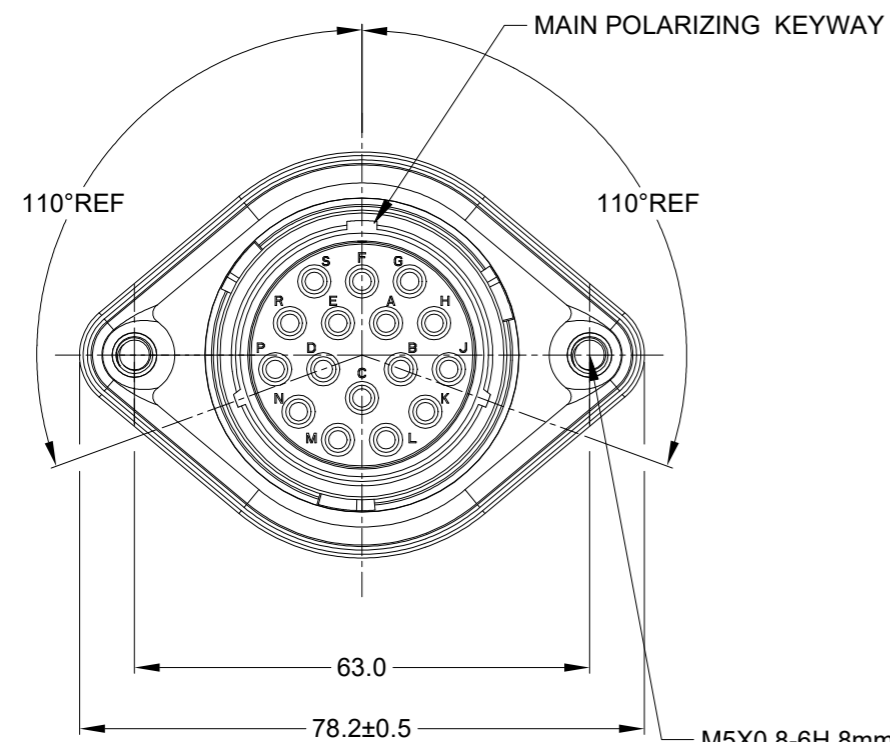
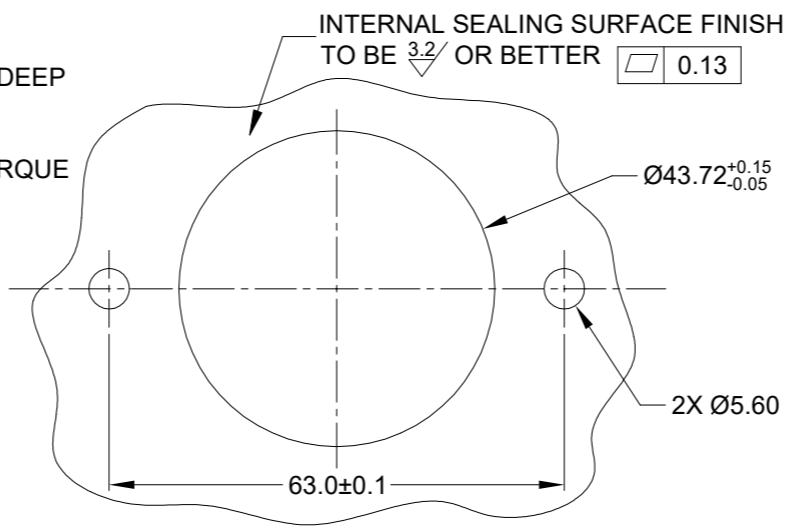


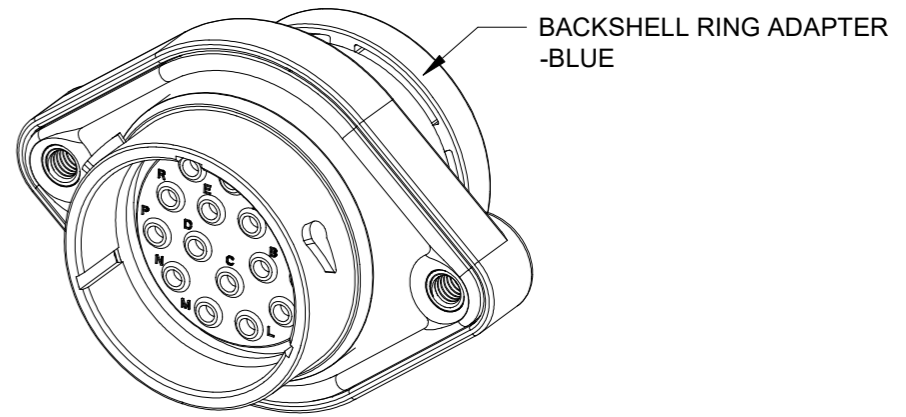
REVISIONS					
REV	ECO	DESCRIPTION	DATE	BY	APPR
A1	-	RELEASE NEW DRAWING	01/APR/22	MILO	TOMMY



M5X0.8-6H 8mm(2X) DEEP THREADED INSERT
 RECOMMENDED TORQUE VALUES: 1.9-2.2 N.m



RECOMMENDED PANEL MOUNTING HOLE
 RECOMMENDED PANEL THICKNESS: 1.6 TO 4.7MM



- NOTES: UNLESS OTHERWISE SPECIFIED
- MATERIAL:
 HOUSING: THERMOPLASTIC; BLACK
 SEAL: SILICONE RUBBER
 THREADED INSERT: STAINLESS STEEL
 - MODIFICATIONS: BACKSHELL RING ADAPTER (BRA);
 REDUCED DIA. WIRE SEAL
 SEALED PANEL MOUNT
 - SPECIFICATIONS:
 - OPERATING TEMPERATURE: -55°C TO +125°C.
 - DIELECTRIC WITHSTANDING VOLTAGE: LESS THAN 2 MILLIAMPS CURRENT LEAKAGE @ 1500 VOLTS AC.
 - INSULATION RESISTANCE: 1000 MEGOHM MIN @ 25°C.
 - MOISTURE RESISTANCE:
 IP68(IM OF WATER FOR A PERIOD OF 24 HOURS, MATED CONDITION);
 IP69K(MATED CONDITION)
 - MATING CYCLE DURABILITY: 100 CYCLES
 - RoHS COMPLIANT
 - MATING PART: AHDP06-24-16S* (* = SEAL TYPE)
 - ALL DIMENSIONS ARE FOR REFERENCE USE ONLY.
 - RECEPTACLE IS SUPPLIED WITH DUST CAP (NOT SHOW)

CONTACT SIZE AND WIRE RANGE:

CONTACT SIZE	MIN. INSUL O.D.	MAX. INSUL O.D.	TYPICAL WIRE RANGE	CURRENT RATING
12	2.46 mm (.097 in)	4.01 mm (.158 in)	10-14 AWG (6.0-2.0mm ²)	25 AMPS

QUANTITY	AHDP02-24-16PR-BRA	PART NUMBER	DESCRIPTION	ITEM

SIGNATURES			DATE
DRAWN:	MILO		01/APR/22
CHECKED:	SULLEN		02/APR/22
ENGINEER:			
APPROVAL:	TOMMY		06/APR/22

Amphenol
 Sine Systems - www.amphenol-sine.com
 44724 Morley Drive
 Clinton Township, MI 48036

16 POS, RECEPTACLE, PIN, PANELMATE
 AHDP SIZE 24, RD SEAL, BRA

SIZE	TYPE	DWG NO:	REVISION
B	C-	AHDP02-24-16PR-BRA	A1

SCALE: NONE SHEET 1 OF 1

TITLE: 16 POS RECEPTACLE, PIN, PANELMATE AHDP SIZE 24, RD SEAL, BRA
 DWG NO: AHDP02-24-16PR-BRA
 REV: A1
 SH: 1
 OF: 1