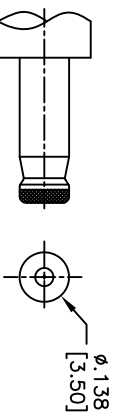
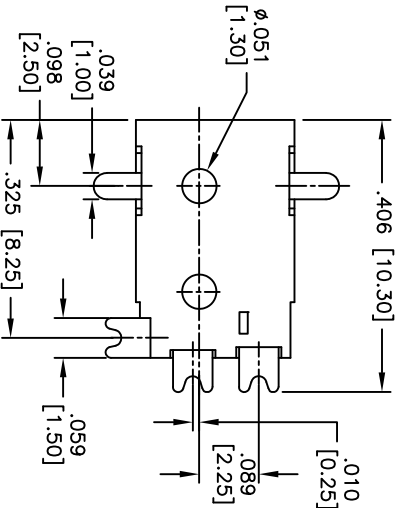
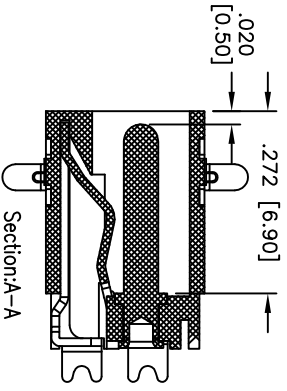
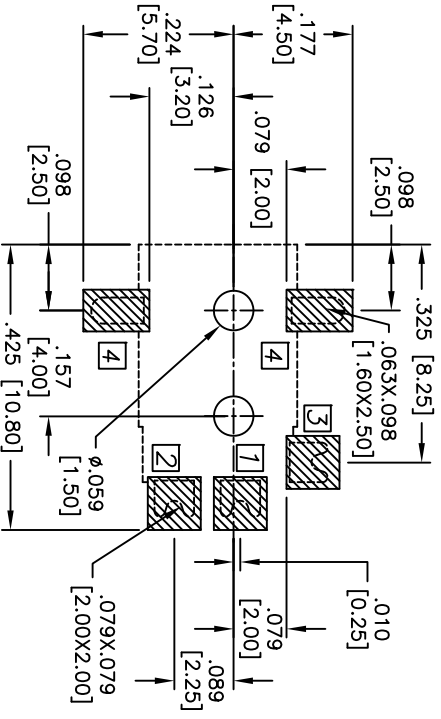
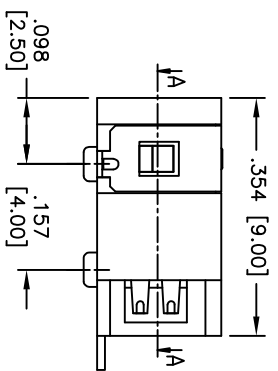
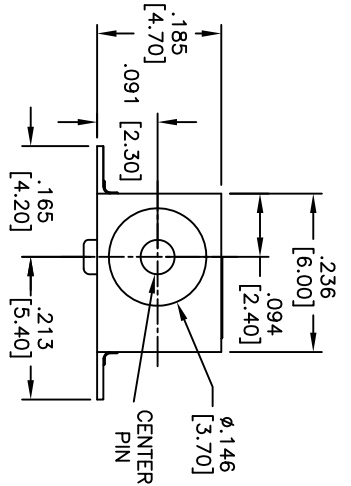


Rev	AWO #	Description	Date	Appr
-		RELEASED	11/26/13	

APPROVED: \_\_\_\_\_  
 DATE: \_\_\_\_\_ TITLE: \_\_\_\_\_



RECOMMENDED PCB LAYOUT  
(TOP VIEW)

DC MALE PLUG

PACKAGED ON TAPE & REEL

PART NO.	CENTER PIN DIA.
ADC-037-3-T/R	Ø.039 [1.00]
ADC-037-4-T/R	Ø.051 [1.30]

SPECIFICATIONS:  
 Material: Insulator: Hi-temp thermoplastic, rated UL 94V-0  
 Insulator color: Black  
 Contacts: Copper Alloy, Silver plated  
 Center Pin: Brass, Nickel plated  
 Electrical:  
 Operating voltage: 12 VDC max.  
 Current rating: 1 Amps  
 Contact resistance: 30 mohms max.  
 Insulation resistance: 100 Mohms min.  
 Dielectric withstanding voltage: 500 VAC for 1 minute  
 Temperature Rating:  
 Operating temperature: -20°C to +70°C  
 Environmental:  
 Lead free, RoHS compliant

UNLESS OTHERWISE SPECIFIED  
 ALL DIMENSIONS ARE IN INCHES [MM]  
 TOLERANCES: EXCEPT AS NOTED  
 INCHES Holes ±.10  
 .XX ±.020  
 .XXX ±.015  
 .XXX ±.010  
 ØXX ±.10  
 ØXXX ±.015  
 ØXXX ±.010

**ADAM TECH**

909 Railway Avenue, Union, NJ 07083  
 Phone: 908-687-5000 Fax: 908-687-5710

TITLE: DC POWER JACK, 1.00mm, 1.30mm CENTER PIN

APPROVALS	DATE	SIZE	PART NO.	REV.
DRAWN AY	11/26/13	X	ADC-037-X-T/R	-
CHECKED AH	11/26/13	X		
APPROVED				

