

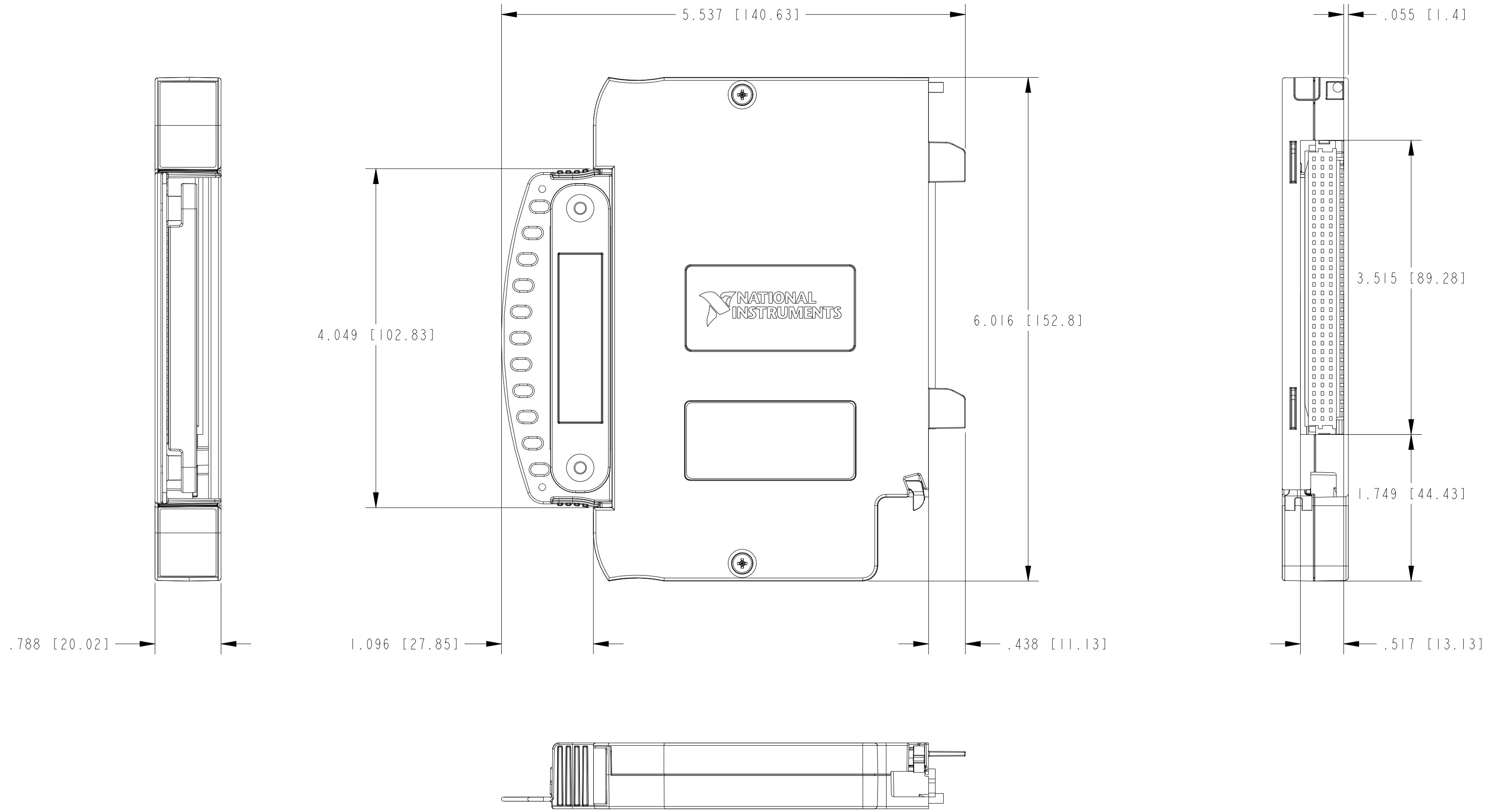
4

3

2

1

COPYRIGHT ©2010 NATIONAL INSTRUMENTS CORPORATION AND ITS LICENSORS. ALL RIGHTS RESERVED.

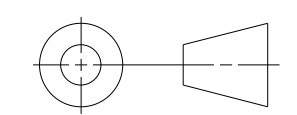


CUSTOMER DRAWING

UNLESS OTHERWISE SPECIFIED
DIMENSIONS ARE IN INCHES AND
[MILLIMETERS].

DO NOT SCALE DRAWING

THIRD ANGLE PROJECTION



		AUSTIN, TEXAS	
TITLE			
PXIE SIGNAL CONDITIONING TERMINAL BLOCK, TB-4353			
SIZE	CODE	IDENT NO.	MM/DD/YYYY
C	7U	296	12/13/10
SCALE:	1/1	SHEET	1 OF 1

4

3

2

1