

PLEASE CHECK WWW.MOLEX.COM FOR LATEST PART INFORMATION

Part Number: [0521510210](#)
Status: **Active**
Overview: [Wire Trap](#)
Description: 2.00mm Pitch Wire Trap, Pull-Cover Style, Right-Angle, 2 Circuits

Documents:

[3D Model](#) [Packaging Specification SPK-52151-001-001 \(PDF\)](#)
[Drawing \(PDF\)](#) [RoHS Certificate of Compliance \(PDF\)](#)
[Product Specification PS-52147-001-001 \(PDF\)](#)

Agency Certification

UL E29179

General

Product Family Ribbon Cable / Wire Trap Connectors
 Series [52151](#)
 Comments Pull-Cover, Pull-Cover
 Component Type One Piece
 Glow-Wire Capable No
 Overview [Wire Trap](#)
 Product Name Board-in, Wire Trap
 UPC 800753570672

Physical

Circuits (Loaded) 2
 Entry Angle 90° Angle
 Flammability 94V-0
 Lock to Mating Part None
 Material - Metal Phosphor Bronze
 Material - Plating Mating Tin
 Material - Plating Termination Tin
 Net Weight 296.400/mg
 Number of Rows 1
 PCB Retention Yes
 PCB Thickness - Recommended 1.60mm
 Packaging Type Tray
 Pitch - Mating Interface 2.00mm
 Plating min - Mating 0.914µm
 Plating min - Termination 0.914µm
 Polarized to Mating Part N/A
 Polarized to PCB No
 Stackable No
 Surface Mount Compatible (SMC) No
 Temperature Range - Operating -40° to +105°C
 Termination Interface: Style Through Hole - Kinked Pin
 Wire Insulation Diameter 1.60mm max.
 Wire Size AWG 26
 Wire/Cable Type Ribbon Cable

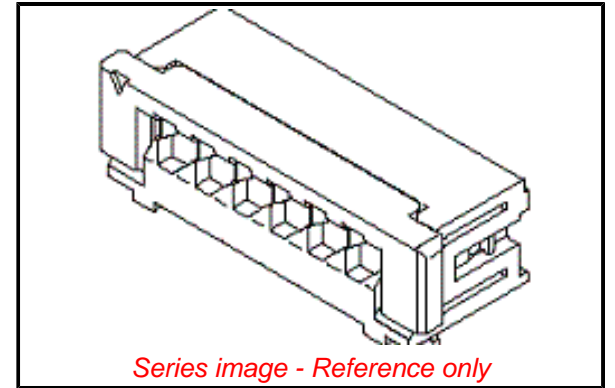
Electrical

Current - Maximum per Contact 2.0A
 Voltage - Maximum 150V

Material Info

Reference - Drawing Numbers

Packaging Specification SPK-52151-001-001
 Product Specification PS-52147-001-001



Series image - Reference only

EU ELV

Not Relevant

EU RoHS

Compliant

REACH SVHC

Not Contained Per -
 ED/71/2019 (16 July
 2019)

Halogen-Free

Status

Not Low-Halogen

For more information, please visit [Contact US](#)

China ROHS

ELV

RoHS Phthalates

China RoHS

Green Image

Not Relevant

Not Contained

Search Parts in this Series

[52151 Series](#)

Mates With

N/A

Use With

Topcoated Ribbon Cable

This document was generated on 08/19/2019

PLEASE CHECK WWW.MOLEX.COM FOR LATEST PART INFORMATION