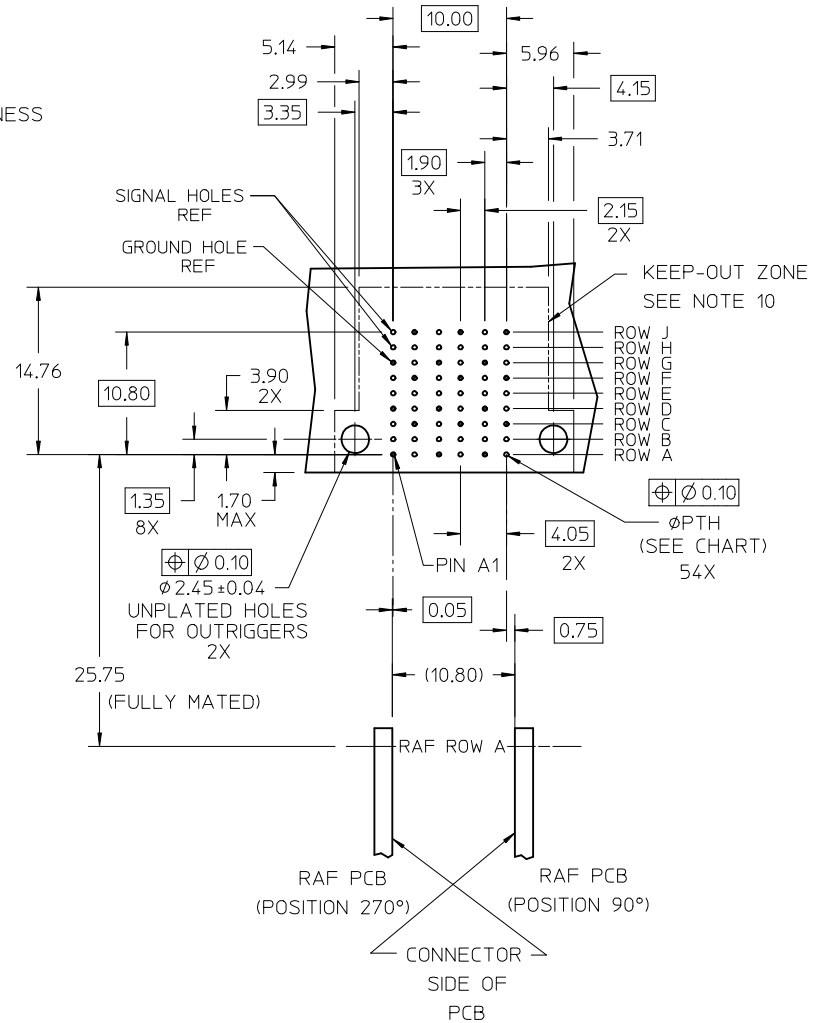
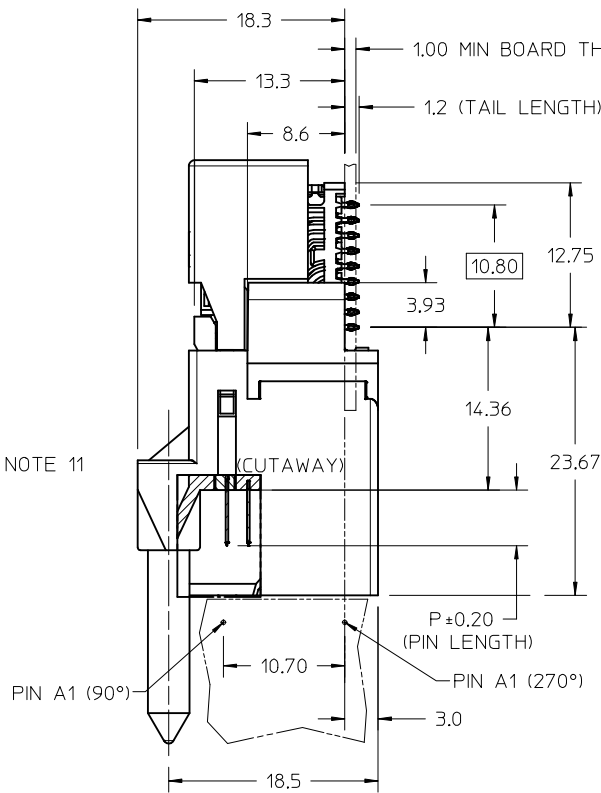
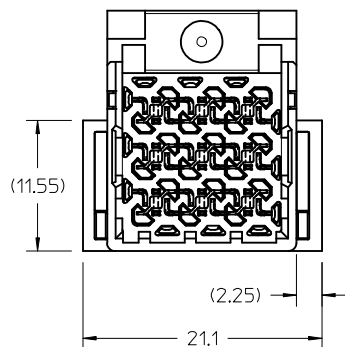


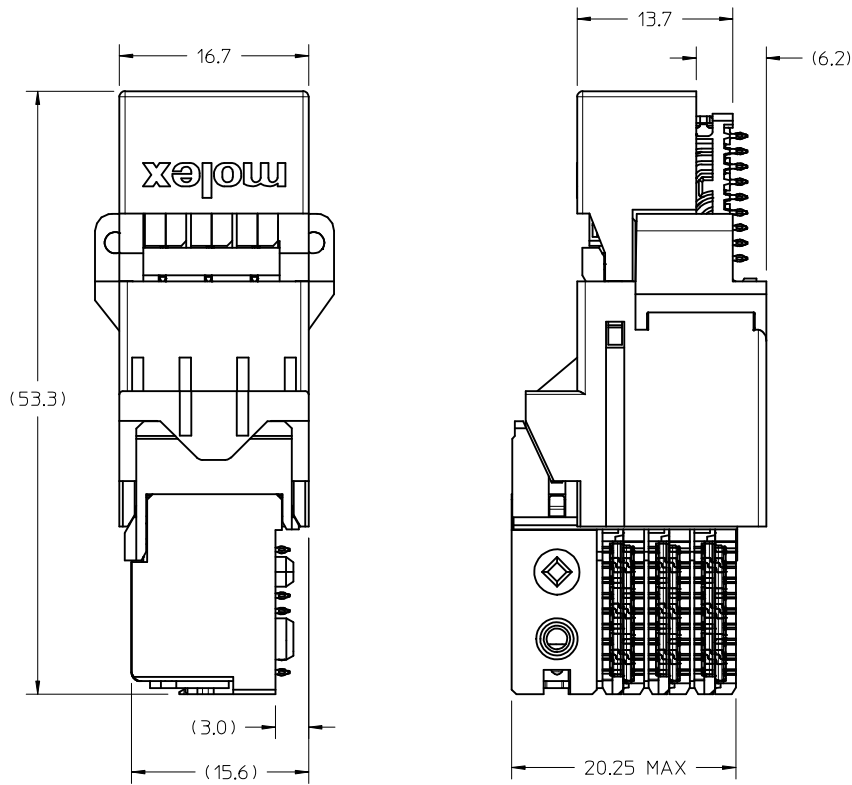
SEE NOTE 11



OD-RAM HOLE PATTERN
(CONNECTOR SIDE)



2ND GATE AND OUTRIGGERS EC NO: UCP2015-5544 DRAWN BY: MILLER 2016/10/07 CHKD: TELO APPR: TELO 2016/10/10	QUALITY SYMBOLS	GENERAL TOLERANCES (UNLESS SPECIFIED)		DIMENSION STYLE	SCALE	DESIGN UNITS	THIRD ANGLE PROJECTION	
	$\nabla=0$ $\nabla=0$	mm	INCH	MM ONLY	3:1	METRIC		
		4 PLACES ± --- ± ---		DRAWN BY DATE	TITLE			
		3 PLACES ± --- ± ---		JMENDOZA 2012/12/14	IMPACT ORTHOGONAL DIRECT 3 PAIR RAM 90 & 270 ASSY TOP GUIDED SALES DRAWING			
	2 PLACES ± 0.13 ± ---		CHECKED BY DATE	MATERIAL NO. DOCUMENT NO. SHEET NO.				
	1 PLACE ± 0.25 ± ---		TELO 2012/12/14	SEE CHART SD-171573-0002 1 OF 4				
	ANGULAR ± 1/2°	DRAFT WHERE APPLICABLE MUST REMAIN WITHIN DIMENSIONS		MATERIAL NO. DOCUMENT NO. SHEET NO.				
				SD-171573-0002 1 OF 4				
				THIS DRAWING CONTAINS INFORMATION THAT IS PROPRIETARY TO MOLEX INCORPORATED AND SHOULD NOT BE USED WITHOUT WRITTEN PERMISSION				



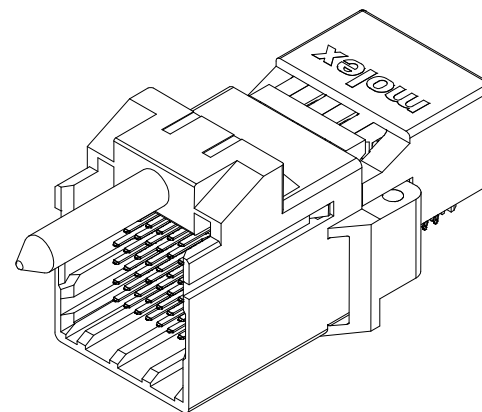
171573-76**

MODULE TYPE
7 = TOP GUIDED, TIN

OF COLUMNS
6 = 6 COLUMN

PIN LENGTH (P)
4 = 4.90 (0.46 PTH)
5 = 5.50 (0.46 PTH)
7 = 4.90 (0.39 PTH)
8 = 5.50 (0.39 PTH)

MATE POSITION
0 = 90 DEGREE
3 = 270 DEGREE



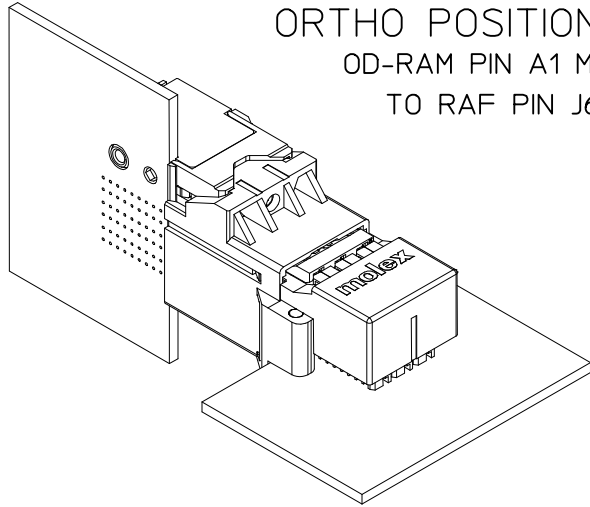
MATED DIMENSIONS
(POSITION 90° SHOWN)

NOTES:

- MATERIALS: HOUSING - LIQUID CRYSTAL POLYMER (LCP)
GLASS-FILLED, UL94V-0
TERMINALS - HIGH PERFORMANCE COPPER ALLOY
- FINISH: 30μ MIN GOLD IN CONTACT AREA.
SELECTIVE TIN ON PCB TAILS.
NICKEL OVERALL.
- REFER TO MOLEX PRODUCT SPECIFICATION PS-76060-999
FOR PERFORMANCE SPECIFICATIONS AND ADDITIONAL PCB INFORMATION.
- THIS PART CONFORMS TO CLASS B REQUIREMENTS OF
COSMETIC SPEC PS-45499-002.
- PACKAGE PER: PK-70873-8018.
- SEE SHEETS 3 FOR ORTHOGONAL PIN MAPPING.
- REFER TO SHEET 3 AND 4 FOR THE MATING RECEPTACLES.
- REFER TO MOLEX ROUTING GUIDE AS-76850-990 FOR ADDITIONAL PCB LAYOUT
AND ROUTING RECOMMENDATIONS.
- CONNECTORS ARE SUPPLIED WITH TWO 2-32 THREAD FORMING SCREWS.
- THESE DIMENSIONS REPRESENT THE AREA NEEDED TO ACCOMODATE CONNECTOR
INSERTION AND REPAIR ON THE PC BOARD. THIS IS REFERRED TO AS THE
"CONNECTOR KEEP OUT ZONE" AND DOES NOT REPRESENT THE ACTUAL PERIMETER
OF THE CONNECTOR.
- MARKING: LOCATED APPROXIMATELY AS SHOWN, ON BOTTOM OR TOP HOUSING.
PART NUMBER AND DATE CODE.

SEE SHEET 1 EC NO: UCP2015-5544 DRW:BJMILLER 2016/10/07 CHKD: APPR:TELO 2016/10/10	DESCRIPTION REV	QUALITY SYMBOLS	GENERAL TOLERANCES (UNLESS SPECIFIED)	DIMENSION STYLE MM ONLY	SCALE 3:1	DESIGN UNITS METRIC	THIRD ANGLE PROJECTION																										
		$\nabla=0$ $\nabla=0$	<table border="1"> <thead> <tr> <th></th> <th>mm</th> <th>INCH</th> </tr> </thead> <tbody> <tr> <td>4 PLACES</td> <td>±---</td> <td>±---</td> </tr> <tr> <td>3 PLACES</td> <td>±---</td> <td>±---</td> </tr> <tr> <td>2 PLACES</td> <td>±0.13</td> <td>±---</td> </tr> <tr> <td>1 PLACE</td> <td>±0.25</td> <td>±---</td> </tr> </tbody> </table>		mm	INCH	4 PLACES	±---	±---	3 PLACES	±---	±---	2 PLACES	±0.13	±---	1 PLACE	±0.25	±---	<table border="1"> <thead> <tr> <th>DRAWN BY</th> <th>DATE</th> </tr> </thead> <tbody> <tr> <td>JMENDOZA</td> <td>2012/12/14</td> </tr> <tr> <th>CHECKED BY</th> <th>DATE</th> </tr> <tr> <td>TELO</td> <td>2012/12/14</td> </tr> <tr> <th>APPROVED BY</th> <th>DATE</th> </tr> <tr> <td>TELO</td> <td>2013/12/26</td> </tr> </tbody> </table>	DRAWN BY	DATE	JMENDOZA	2012/12/14	CHECKED BY	DATE	TELO	2012/12/14	APPROVED BY	DATE	TELO	2013/12/26	TITLE IMPACT ORTHOGONAL DIRECT 3 PAIR RAM 90 & 270 ASSY TOP GUIDED SALES DRAWING	
			mm	INCH																													
		4 PLACES	±---	±---																													
3 PLACES	±---	±---																															
2 PLACES	±0.13	±---																															
1 PLACE	±0.25	±---																															
DRAWN BY	DATE																																
JMENDOZA	2012/12/14																																
CHECKED BY	DATE																																
TELO	2012/12/14																																
APPROVED BY	DATE																																
TELO	2013/12/26																																
DRAFT WHERE APPLICABLE MUST REMAIN WITHIN DIMENSIONS				MATERIAL NO. SEE CHART		DOCUMENT NO. SD-171573-0002																											
				SIZE THIS DRAWING CONTAINS INFORMATION THAT IS PROPRIETARY TO MOLEX INCORPORATED AND SHOULD NOT BE USED WITHOUT WRITTEN PERMISSION		SHEET NO. 2 OF 4																											

ORTHO POSITION 90°
 OD-RAM PIN A1 MAPS
 TO RAF PIN J6



REFER TO MOLEX SALES DRAWING SD-76860-002
 FOR MATING RECEPTACLES.

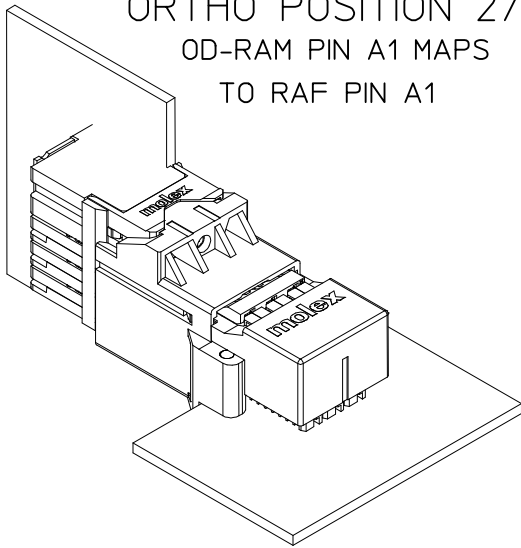
ORTHO PIN MAPPING					
OPTION 90 (NEARSIDE - FARSIDE)					
(A1-J6)	A2-H6	(A3-F6)	A4-E6	(A5-C6)	A6-B6
B1-J5	B2-G6	B3-F5	B4-D6	B5-C5	B6-A6
C1-H5	(C2-G5)	C3-E5	(C4-D5)	C5-B5	(C6-A5)
(D1-J4)	D2-H4	(D3-F4)	D4-E4	(D5-C4)	D6-B4
E1-J3	E2-G4	E3-F3	E4-D4	E5-C3	E6-A4
F1-H3	(F2-G3)	F3-E3	(F4-D3)	F5-B3	(F6-A3)
(G1-J2)	G2-H2	(G3-F2)	G4-E2	(G5-C2)	G6-B2
H1-J1	H2-G2	H3-F1	H4-D2	H5-C1	H6-A2
J1-H1	(J2-G1)	J3-E1	(J4-D1)	J5-B1	(J6-A1)

NOTE: PINOUTS SHOWN IN BALLOONS ARE GROUNDS.
 GROUND PATHS ARE NOT DISCRETE CIRCUITS.

MATERIAL NUMBER	# OF COLUMNS	# OF DIFF PAIR	MATE POSITION	DIM P	PTH ϕ
171573-7604	6	18	90	4.90	0.46±0.05
171573-7605	6	18	90	5.50	0.46±0.05
171573-7607	6	18	90	4.90	0.39±0.05
171573-7608	6	18	90	5.50	0.39±0.05

SEE SHEET 1 EC NO: UCP2015-5544 DRWN:BJMILLER 2016/10/07 CHKD: APPR:TELO 2016/10/10	QUALITY SYMBOLS	GENERAL TOLERANCES (UNLESS SPECIFIED) mm INCH 4 PLACES ± --- ± --- 3 PLACES ± --- ± --- 2 PLACES ± 0.13 ± --- 1 PLACE ± 0.25 ± --- ANGULAR ± 1/2°	DIMENSION STYLE	SCALE	DESIGN UNITS	THIRD ANGLE PROJECTION
			MM ONLY	2:1	METRIC	
			DRAWN BY DATE JMENDOZA 2012/12/14 CHECKED BY DATE TELO 2012/12/14 APPROVED BY DATE TELO 2013/12/26	TITLE IMPACT ORTHOGONAL DIRECT 3 PAIR RAM 90 & 270 ASSY TOP GUIDED SALES DRAWING		
		DRAFT WHERE APPLICABLE MUST REMAIN WITHIN DIMENSIONS	MATERIAL NO. SEE CHART SIZE	DOCUMENT NO. SD-171573-0002	SHEET NO. 3 OF 4	

ORTHO POSITION 270°
OD-RAM PIN A1 MAPS
TO RAF PIN A1



REFER TO MOLEX SALES DRAWING SD-76860-004
FOR MATING RECEPTACLES.

ORTHO PIN MAPPING

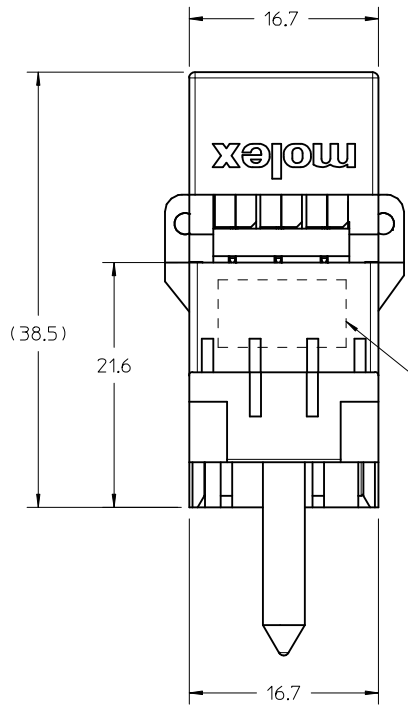
OPTION 270 (NEAR SIDE - FAR SIDE)

(A1-A1)	A2-B1	(A3-D1)	A4-E1	(A5-G1)	A6-H1
B1-A2	B2-C1	B3-D2	B4-F1	B5-G2	B6-J1
C1-B2	(C2-C2)	C3-E2	(C4-F2)	C5-H2	(C6-J2)
(D1-A3)	D2-B3	(D3-D3)	D4-E3	(D5-G3)	D6-H3
E1-A4	E2-C3	E3-D4	E4-F3	E5-G4	E6-J3
F1-B4	(F2-C4)	F3-E4	(F4-F4)	F5-H4	(F6-J4)
(G1-A5)	G2-B5	(G3-D5)	G4-E5	(G5-G5)	G6-H5
H1-A6	H2-C5	H3-D6	H4-F5	H5-G6	H6-J5
J1-B6	(J2-C6)	J3-E6	(J4-F6)	J5-H6	(J6-J6)

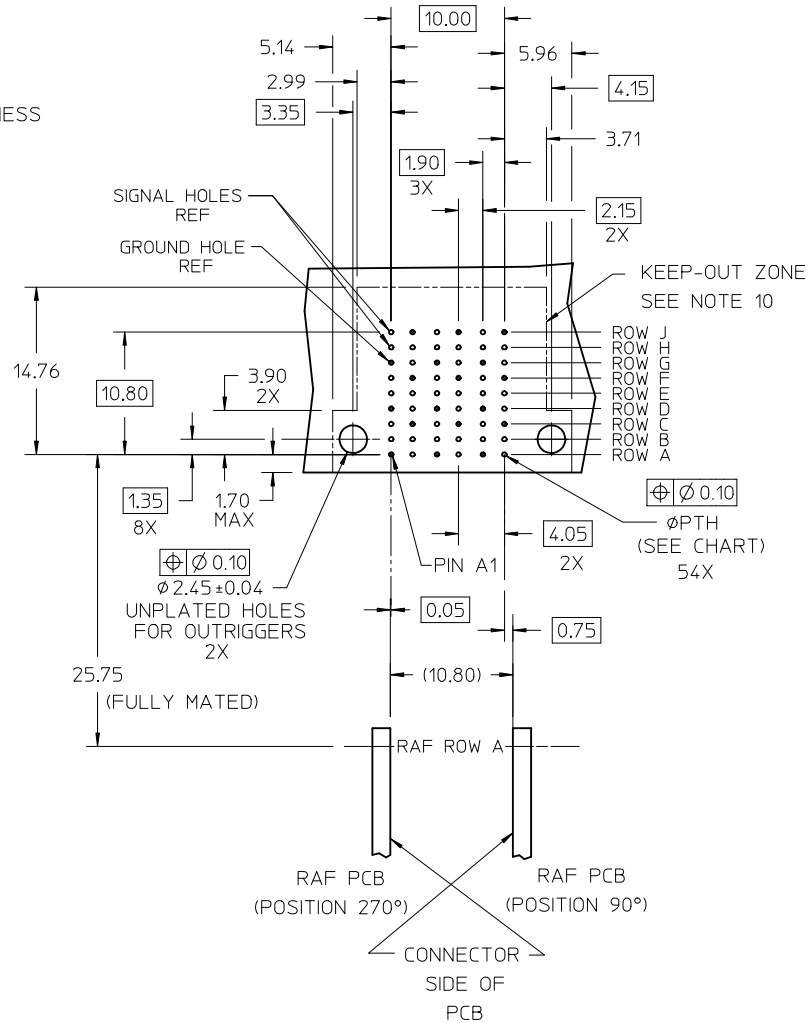
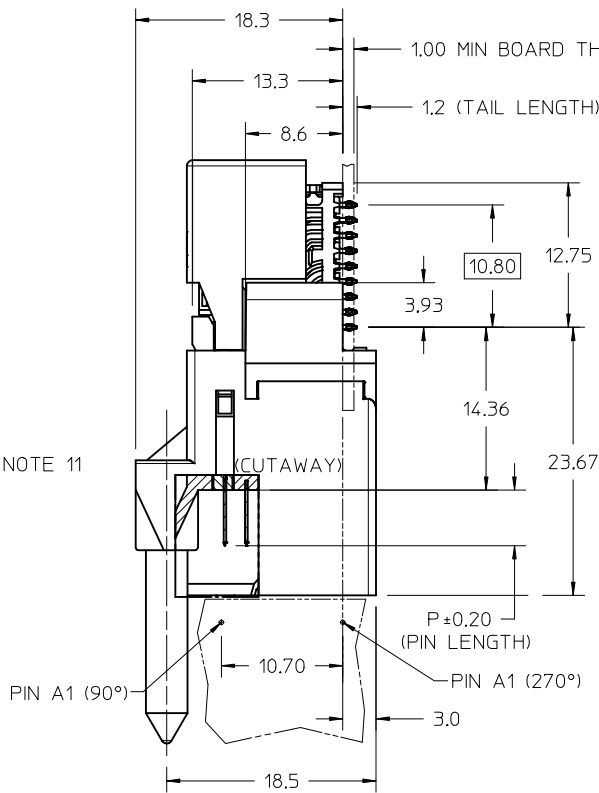
NOTE: PINOUTS SHOWN IN BALLOONS ARE GROUNDS.
GROUND PATHS ARE NOT DISCRETE CIRCUITS.

MATERIAL NUMBER	# OF COLUMNS	# OF DIFF PAIR	MATE POSITION	DIM P	PTH ϕ
171573-7634	6	18	270	4.90	0.46±0.05
171573-7635	6	18	270	5.50	0.46±0.05
171573-7637	6	18	270	4.90	0.39±0.05
171573-7638	6	18	270	5.50	0.39±0.05

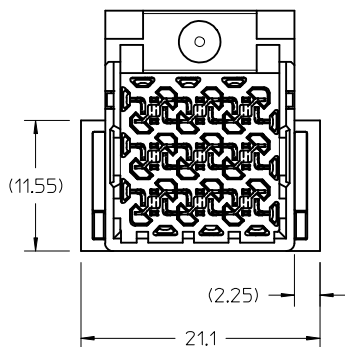
SEE SHEET 1 EC NO: UCP2015-5544 DRWN: B. MILLER 2016/10/07 CHKD: APPR: TELO 2016/10/10	QUALITY SYMBOLS ▽=0 ▽=0 ▽=0	GENERAL TOLERANCES (UNLESS SPECIFIED)		DIMENSION STYLE MM ONLY		SCALE 2:1	DESIGN UNITS METRIC	THIRD ANGLE PROJECTION	
				DRAWN BY DATE JMENDOZA 2012/12/14		TITLE IMPACT ORTHOGONAL DIRECT 3 PAIR RAM 90 & 270 ASSY TOP GUIDED SALES DRAWING			
				CHECKED BY DATE TELO 2012/12/14					
				APPROVED BY DATE TELO 2013/12/26		MATERIAL NO.		DOCUMENT NO.	
		ANGULAR ±1/2°		SEE CHART		SD-171573-0002		4 OF 4	
		DRAFT WHERE APPLICABLE MUST REMAIN WITHIN DIMENSIONS		THIS DRAWING CONTAINS INFORMATION THAT IS PROPRIETARY TO MOLEX INCORPORATED AND SHOULD NOT BE USED WITHOUT WRITTEN PERMISSION					



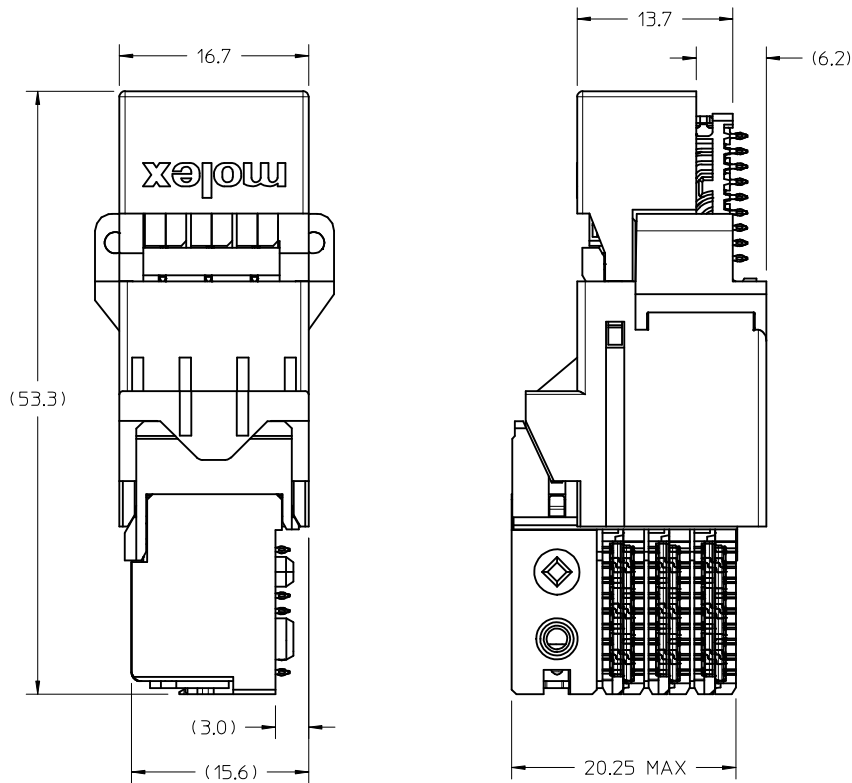
SEE NOTE 11



OD-RAM HOLE PATTERN
(CONNECTOR SIDE)



2ND GATE AND OUTRIGGERS EC NO: UCP2015-5544 DRAWN BY: MILLER 2016/10/07 CHKD: TELO APPR: TELO 2016/10/10	QUALITY SYMBOLS ▽=0 ▽=0	GENERAL TOLERANCES (UNLESS SPECIFIED)		DIMENSION STYLE MM ONLY	SCALE 3:1	DESIGN UNITS METRIC	THIRD ANGLE PROJECTION	
		4 PLACES ± --- ± ---	mm INCH	DRAWN BY JMENDOZA	DATE 2012/12/14	TITLE IMPACT ORTHOGONAL DIRECT 3 PAIR RAM 90 & 270 ASSY TOP GUIDED SALES DRAWING		
		3 PLACES ± --- ± ---	± 0.13 ± ---	CHECKED BY TELO	DATE 2012/12/14	MATERIAL NO. SEE CHART		
		2 PLACES ± 0.13 ± ---	± 0.25 ± ---	APPROVED BY TELO	DATE 2013/12/26	DOCUMENT NO. SD-171573-0002		
ANGULAR ±1/2°		DRAFT WHERE APPLICABLE MUST REMAIN WITHIN DIMENSIONS		SIZE C	THIS DRAWING CONTAINS INFORMATION THAT IS PROPRIETARY TO MOLEX INCORPORATED AND SHOULD NOT BE USED WITHOUT WRITTEN PERMISSION			
				SHEET NO. 1 OF 4				



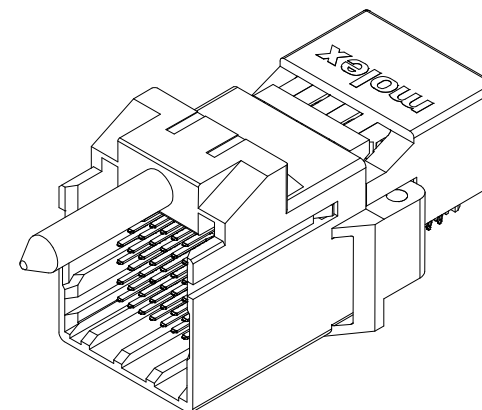
171573-76**

MODULE TYPE
7 = TOP GUIDED, TIN

OF COLUMNS
6 = 6 COLUMN

PIN LENGTH (P)
4 = 4.90 (0.46 PTH)
5 = 5.50 (0.46 PTH)
7 = 4.90 (0.39 PTH)
8 = 5.50 (0.39 PTH)

MATE POSITION
0 = 90 DEGREE
3 = 270 DEGREE



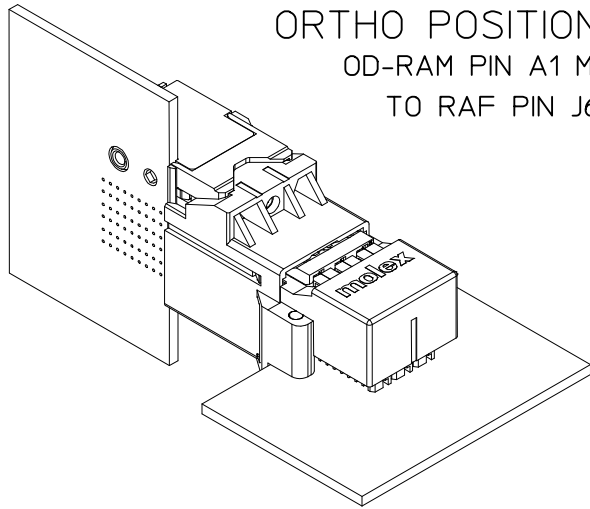
MATED DIMENSIONS (POSITION 90° SHOWN)

NOTES:

- MATERIALS: HOUSING - LIQUID CRYSTAL POLYMER (LCP)
GLASS-FILLED, UL94V-0
TERMINALS - HIGH PERFORMANCE COPPER ALLOY
- FINISH: 30μ MIN GOLD IN CONTACT AREA.
SELECTIVE TIN ON PCB TAILS.
NICKEL OVERALL.
- REFER TO MOLEX PRODUCT SPECIFICATION PS-76060-999
FOR PERFORMANCE SPECIFICATIONS AND ADDITIONAL PCB INFORMATION.
- THIS PART CONFORMS TO CLASS B REQUIREMENTS OF
COSMETIC SPEC PS-45499-002.
- PACKAGE PER: PK-70873-8018.
- SEE SHEETS 3 FOR ORTHOGONAL PIN MAPPING.
- REFER TO SHEET 3 AND 4 FOR THE MATING RECEPTACLES.
- REFER TO MOLEX ROUTING GUIDE AS-76850-990 FOR ADDITIONAL PCB LAYOUT
AND ROUTING RECOMMENDATIONS.
- CONNECTORS ARE SUPPLIED WITH TWO 2-32 THREAD FORMING SCREWS.
- THESE DIMENSIONS REPRESENT THE AREA NEEDED TO ACCOMODATE CONNECTOR
INSERTION AND REPAIR ON THE PC BOARD. THIS IS REFERRED TO AS THE
"CONNECTOR KEEP OUT ZONE" AND DOES NOT REPRESENT THE ACTUAL PERIMETER
OF THE CONNECTOR.
- MARKING: LOCATED APPROXIMATELY AS SHOWN, ON BOTTOM OR TOP HOUSING.
PART NUMBER AND DATE CODE.

SEE SHEET 1 EC NO: UCP2015-5544 DRW:BJMILLER 2016/10/07 CHKD: APPR:TELO 2016/10/10 REV:	QUALITY SYMBOLS	GENERAL TOLERANCES (UNLESS SPECIFIED)	DIMENSION STYLE MM ONLY	SCALE 3:1	DESIGN UNITS METRIC	THIRD ANGLE PROJECTION																										
	$\nabla=0$ $\nabla=0$	<table border="1"> <thead> <tr> <th></th> <th>mm</th> <th>INCH</th> </tr> </thead> <tbody> <tr> <td>4 PLACES</td> <td>± ---</td> <td>± ---</td> </tr> <tr> <td>3 PLACES</td> <td>± ---</td> <td>± ---</td> </tr> <tr> <td>2 PLACES</td> <td>± 0.13</td> <td>± ---</td> </tr> <tr> <td>1 PLACE</td> <td>± 0.25</td> <td>± ---</td> </tr> </tbody> </table>		mm	INCH	4 PLACES	± ---	± ---	3 PLACES	± ---	± ---	2 PLACES	± 0.13	± ---	1 PLACE	± 0.25	± ---	<table border="1"> <thead> <tr> <th>DRAWN BY</th> <th>DATE</th> </tr> </thead> <tbody> <tr> <td>JMENDOZA</td> <td>2012/12/14</td> </tr> <tr> <th>CHECKED BY</th> <th>DATE</th> </tr> <tr> <td>TELO</td> <td>2012/12/14</td> </tr> <tr> <th>APPROVED BY</th> <th>DATE</th> </tr> <tr> <td>TELO</td> <td>2013/12/26</td> </tr> </tbody> </table>	DRAWN BY	DATE	JMENDOZA	2012/12/14	CHECKED BY	DATE	TELO	2012/12/14	APPROVED BY	DATE	TELO	2013/12/26	TITLE	IMPACT ORTHOGONAL DIRECT 3 PAIR RAM 90 & 270 ASSY TOP GUIDED SALES DRAWING MOLEX INCORPORATED DOCUMENT NO. SD-171573-0002 SHEET NO. 2 OF 4
		mm	INCH																													
	4 PLACES	± ---	± ---																													
3 PLACES	± ---	± ---																														
2 PLACES	± 0.13	± ---																														
1 PLACE	± 0.25	± ---																														
DRAWN BY	DATE																															
JMENDOZA	2012/12/14																															
CHECKED BY	DATE																															
TELO	2012/12/14																															
APPROVED BY	DATE																															
TELO	2013/12/26																															
DRAFT WHERE APPLICABLE MUST REMAIN WITHIN DIMENSIONS	SIZE	THIS DRAWING CONTAINS INFORMATION THAT IS PROPRIETARY TO MOLEX INCORPORATED AND SHOULD NOT BE USED WITHOUT WRITTEN PERMISSION																														

ORTHO POSITION 90°
OD-RAM PIN A1 MAPS
TO RAF PIN J6



REFER TO MOLEX SALES DRAWING SD-76860-002
FOR MATING RECEPTACLES.

ORTHO PIN MAPPING

OPTION 90 (NEARSIDE - FARSIDE)

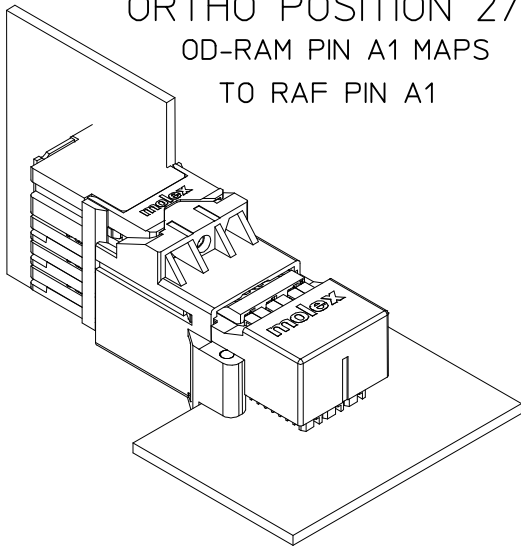
(A1-J6)	A2-H6	(A3-F6)	A4-E6	(A5-C6)	A6-B6
B1-J5	B2-G6	B3-F5	B4-D6	B5-C5	B6-A6
C1-H5	(C2-G5)	C3-E5	(C4-D5)	C5-B5	(C6-A5)
(D1-J4)	D2-H4	(D3-F4)	D4-E4	(D5-C4)	D6-B4
E1-J3	E2-G4	E3-F3	E4-D4	E5-C3	E6-A4
F1-H3	(F2-G3)	F3-E3	(F4-D3)	F5-B3	(F6-A3)
(G1-J2)	G2-H2	(G3-F2)	G4-E2	(G5-C2)	G6-B2
H1-J1	H2-G2	H3-F1	H4-D2	H5-C1	H6-A2
J1-H1	(J2-G1)	J3-E1	(J4-D1)	J5-B1	(J6-A1)

NOTE: PINOUTS SHOWN IN BALLOONS ARE GROUNDS.
GROUND PATHS ARE NOT DISCRETE CIRCUITS.

MATERIAL NUMBER	# OF COLUMNS	# OF DIFF PAIR	MATE POSITION	DIM P	PTH ϕ
171573-7604	6	18	90	4.90	0.46±0.05
171573-7605	6	18	90	5.50	0.46±0.05
171573-7607	6	18	90	4.90	0.39±0.05
171573-7608	6	18	90	5.50	0.39±0.05

SEE SHEET 1 EC NO: UCP2015-5544 DRAWN BY MILLER 2016/10/07 CHKD: APPR:TELO 2016/10/10 REV	QUALITY SYMBOLS	GENERAL TOLERANCES (UNLESS SPECIFIED)	DIMENSION STYLE	SCALE	DESIGN UNITS	THIRD ANGLE PROJECTION															
	▼=0 ▽=0		MM ONLY	2:1	METRIC																
			<table border="1"> <tr> <th></th> <th>mm</th> <th>INCH</th> </tr> <tr> <td>4 PLACES</td> <td>± ---</td> <td>± ---</td> </tr> <tr> <td>3 PLACES</td> <td>± ---</td> <td>± ---</td> </tr> <tr> <td>2 PLACES</td> <td>± 0.13</td> <td>± ---</td> </tr> <tr> <td>1 PLACE</td> <td>± 0.25</td> <td>± ---</td> </tr> </table> ANGULAR ±1/2°		mm	INCH	4 PLACES	± ---	± ---	3 PLACES	± ---	± ---	2 PLACES	± 0.13	± ---	1 PLACE	± 0.25	± ---	DRAWN BY DATE JMENDOZA 2012/12/14 CHECKED BY DATE TELO 2012/12/14 APPROVED BY DATE TELO 2013/12/26	TITLE IMPACT ORTHOGONAL DIRECT 3 PAIR RAM 90 & 270 ASSY TOP GUIDED SALES DRAWING	
		mm	INCH																		
4 PLACES	± ---	± ---																			
3 PLACES	± ---	± ---																			
2 PLACES	± 0.13	± ---																			
1 PLACE	± 0.25	± ---																			
		DRAFT WHERE APPLICABLE MUST REMAIN WITHIN DIMENSIONS	MATERIAL NO. SEE CHART SIZE	DOCUMENT NO. SD-171573-0002	SHEET NO. 3 OF 4																

ORTHO POSITION 270° OD-RAM PIN A1 MAPS TO RAF PIN A1



REFER TO MOLEX SALES DRAWING SD-76860-004
FOR MATING RECEPTACLES.

ORTHO PIN MAPPING

OPTION 270 (NEAR SIDE - FAR SIDE)

(A1-A1)	A2-B1	(A3-D1)	A4-E1	(A5-G1)	A6-H1
B1-A2	B2-C1	B3-D2	B4-F1	B5-G2	B6-J1
C1-B2	(C2-C2)	C3-E2	(C4-F2)	C5-H2	(C6-J2)
(D1-A3)	D2-B3	(D3-D3)	D4-E3	(D5-G3)	D6-H3
E1-A4	E2-C3	E3-D4	E4-F3	E5-G4	E6-J3
F1-B4	(F2-C4)	F3-E4	(F4-F4)	F5-H4	(F6-J4)
(G1-A5)	G2-B5	(G3-D5)	G4-E5	(G5-G5)	G6-H5
H1-A6	H2-C5	H3-D6	H4-F5	H5-G6	H6-J5
J1-B6	(J2-C6)	J3-E6	(J4-F6)	J5-H6	(J6-J6)

NOTE: PINOUTS SHOWN IN BALLOONS ARE GROUNDS.
GROUND PATHS ARE NOT DISCRETE CIRCUITS.

MATERIAL NUMBER	# OF COLUMNS	# OF DIFF PAIR	MATE POSITION	DIM P	PTH ϕ
171573-7634	6	18	270	4.90	0.46±0.05
171573-7635	6	18	270	5.50	0.46±0.05
171573-7637	6	18	270	4.90	0.39±0.05
171573-7638	6	18	270	5.50	0.39±0.05

SEE SHEET 1 EC NO: UCP2015-5544 DRWN: B. MILLER 2016/10/07 CHKD: APPR: TELO 2016/10/10	QUALITY SYMBOLS	GENERAL TOLERANCES (UNLESS SPECIFIED)	DIMENSION STYLE MM ONLY	SCALE 2:1	DESIGN UNITS METRIC	THIRD ANGLE PROJECTION
	▽=0	mm INCH	DRAWN BY DATE JMENDOZA 2012/12/14	TITLE IMPACT ORTHOGONAL DIRECT 3 PAIR RAM 90 & 270 ASSY TOP GUIDED SALES DRAWING		
	▽=0	4 PLACES ± --- ± ---	CHECKED BY DATE TELO 2012/12/14			
	▽=0	3 PLACES ± --- ± ---	APPROVED BY DATE TELO 2013/12/26			
	2 PLACES ± 0.13 ± ---	MATERIAL NO.		DOCUMENT NO.	SHEET NO.	
	1 PLACE ± 0.25 ± ---	DRAFT WHERE APPLICABLE MUST REMAIN WITHIN DIMENSIONS		SD-171573-0002		4 OF 4
	0 PLACE ± ±	SIZE		THIS DRAWING CONTAINS INFORMATION THAT IS PROPRIETARY TO MOLEX INCORPORATED AND SHOULD NOT BE USED WITHOUT WRITTEN PERMISSION		