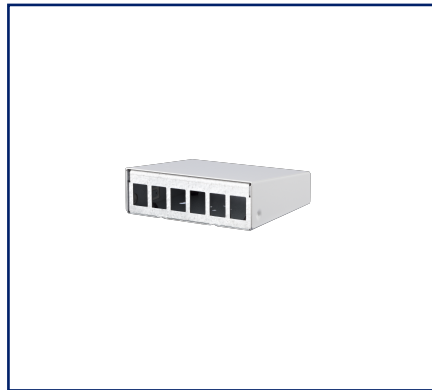


## Data sheet

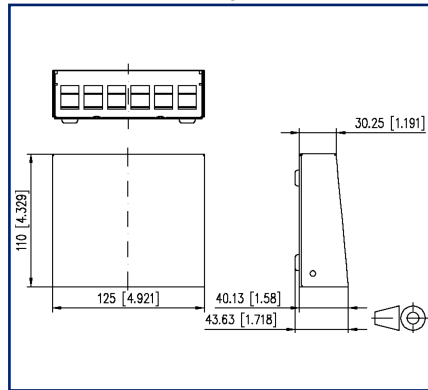
### Keystone surface mount housing 6 port pure white, unequipped

P/N  
130861-0602KE  
EAN 4251122184215  
2023/04/14  
Version: I

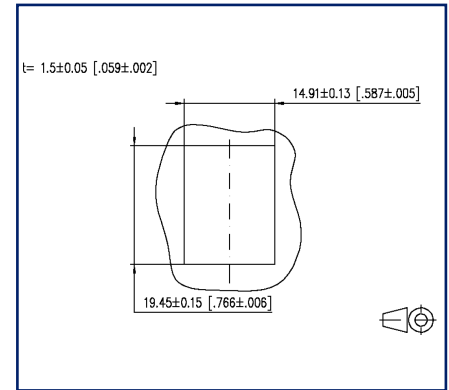
#### Illustrations



Dimensional drawing



Cut-out



See enlarged drawings at the end of document

#### Product specification

- surface-mounted, unequipped module housing for individual modules, Keystone design
- solid steel sheet housing
- upper part of the housing powder-coated in RAL 9010
- upper part of the housing can be put on and removed easily because no screws are used for fastening
- equipotential bonding possible by means of contact pin
- additional strain relief on lower part of housing using cable ties
- suitable for direct wall mounting, as desktop device and for DIN-rail mounting using the DIN rail adapter mini FS
- bottom of the 3 port and 4 port housing can be removed. Additional fastening by means of 60 mm fastening clearance.
- optionally available and usable in all housings except 2 port: FO extension set for module and keystone surface mount housing: 130861-MSK-E
- optionally available 2x12 housing: Strain relief for patch cords 130861-24ZE-E
- variants: 2, 3, 4, 6, 8, 12, 16 and 2x12 ports

# P | Cabling

Data sheet

Page 2/5

## Keystone surface mount housing 6 port pure white, unequipped

P/N

130861-0602KE

EAN 4251122184215

2023/04/14

Version: I

### Technical Data

#### General Data

|   |                                   |
|---|-----------------------------------|
| Fields of application                         | office areas<br>data center       |
| Mechanical measurement according to MICE      | M1                                |
| Ingress measurement according to MICE         | I1                                |
| Climatic measurement according to MICE        | C1                                |
| Electromagnetic measurement according to MICE | E3                                |
| Design  | patch panel                       |
| Color   | Pure white RAL 9010               |
| Dimensions                                    |                                   |
| Dimension (L x W x H)                         | 110 mm x 125 mm x 43.63 mm        |
| Dimension (L x W x H)                         | 4.331 in. x 4.921 in. x 1.718 in. |
| Modularity                                    | yes                               |

#### Connections/interfaces

|                                      |   |
|--------------------------------------|---|
| Number of ports interface 1          | 6 |
| Number of equipped ports interface 1 | 0 |
| Number of ports interface 2          | 6 |
| Number of ports interface 2 equipped | 0 |

#### Mechanical data

|               |           |
|---------------|-----------|
| Cut-out       | Keystone  |
| strain relief | cable tie |

#### Materials and material properties

|                        |                      |
|------------------------|----------------------|
| Material - Housing     | aluminium-zinc sheet |
| Material - Front cover | aluminium-zinc sheet |
| Material - Cover       | steel                |
| Halogen free           | yes                  |
| RoHS                   | compliant            |

#### Environmental conditions

|                           |                 |
|---------------------------|-----------------|
| Temperature (min. - max.) |                 |
| Temperature - Storage °C  | -40 °C - 70 °C  |
| Temperature - Storage °F  | -40 °F - 158 °F |

# P | Cabling

Data sheet

Page 3/5

## Keystone surface mount housing 6 port pure white, unequipped

P/N

130861-0602KE

EAN 4251122184215

2023/04/14

Version: I

### Technical Data

#### Environmental conditions

Temperature (min. - max.)

Temperature - Operating °C -40 °C - 70 °C

Temperature - Operating °F -40 °F - 158 °F

#### Classifications

ETIM 5.0 EC001128

ETIM 6.0 EC001128

ETIM 7.0 EC002006

ETIM 8.0 EC002006

ETIM 9.0 EC002006

#### Packing details

Type of packaging 1 pc(s) / box

Packaging unit - Weight (gram) 361 g

Packaging unit - Weight (pound) 0.8 lb

Packaging dimension 145 mm x 135 mm x 55 mm

Packaging dimension 5.709 in. x 5.315 in. x 2.165 in.

## Keystone surface mount housing 6 port pure white, unequipped

P/N

130861-0602KE

EAN 4251122184215

2023/04/14

Version: I

### Accessories

| P/N            | Designation   |
|----------------|---|
| 130861-MSK-E   | FO extension set for module and keystone surface mount housing  |
| 130898-0003KI  | Keystone BLIND module light gray                                |
| 130898-0029KI  | Keystone BLIND module black                                     |
| 130898-0103KI  | COAX modul F jack / F jack, Keystone                            |
| 130898-0203KI  | COAX modul IEC jack / F jack, Keystone                          |
| 130898-0303KI  | COAX modul IEC plug / F jack, Keystone                          |
| 1308990111-I   | DIN rail adapter mini   |
| 130910KI       | E-DAT modul Cat.6 <sub>A</sub> K jack - Keystone style          |
| 130910KI-79    | E-DAT modul Cat.6 <sub>A</sub> K jack - Keystone style          |
| 130910KZ       | E-DAT modul Cat.6 <sub>A</sub> K jack - Keystone style (12 pcs) |
| 1309A0-I       | E-DAT modul coupler 8(8) 180° class E <sub>A</sub>              |
| 130A08-I-B1    | UTP modul Cat.5e white  |
| 130A10-29-I-B1 | UTP modul 8(8) Cat.6 black                                      |
| 130A10-I-B1    | UTP modul 8(8) Cat.6 white                                      |
| 130A11-29KI    | UTP modul 8(8) Cat.6 <sub>A</sub> Keystone black                |
| 130A11KI       | UTP modul 8(8) Cat.6 <sub>A</sub> Keystone white                |
| 130B21-25-E    | 25Gmodul - Keystone   |
| 130B21-25-Z    | 25Gmodul - Keystone style (12 pcs)                              |
| 130B21-E       | C6 <sub>A</sub> modul K 180° jack - keystone style              |
| 130B21-Z       | C6 <sub>A</sub> modul K 180° jack - Keystone style (12 pcs)     |
| 15091071-I     | OpDAT modul LC-Duplex OS2                                       |
| 15091072-I     | OpDAT modul LC-Duplex OM3                                       |
| 15091075-I     | OpDAT modul LC-Duplex OM4                                       |
| 15091076-I     | OpDAT modul LC-Duplex APC OS2                                   |
| 1509107B-I     | OpDAT modul LC-Duplex OM2                                       |

# P | Cabling

Data sheet

Page 5/5

## Keystone surface mount housing 6 port pure white, unequipped

P/N

130861-0602KE

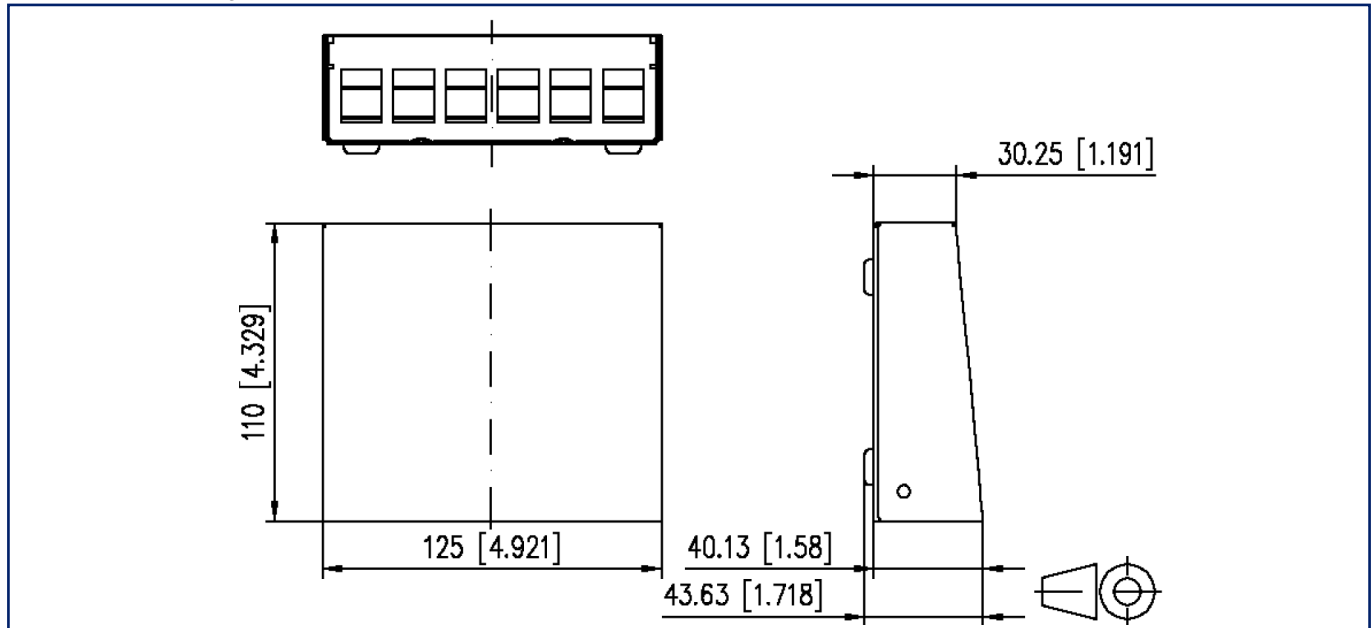
EAN 4251122184215

2023/04/14

Version: I

### Illustrations

Dimensional drawing



Cut-out

