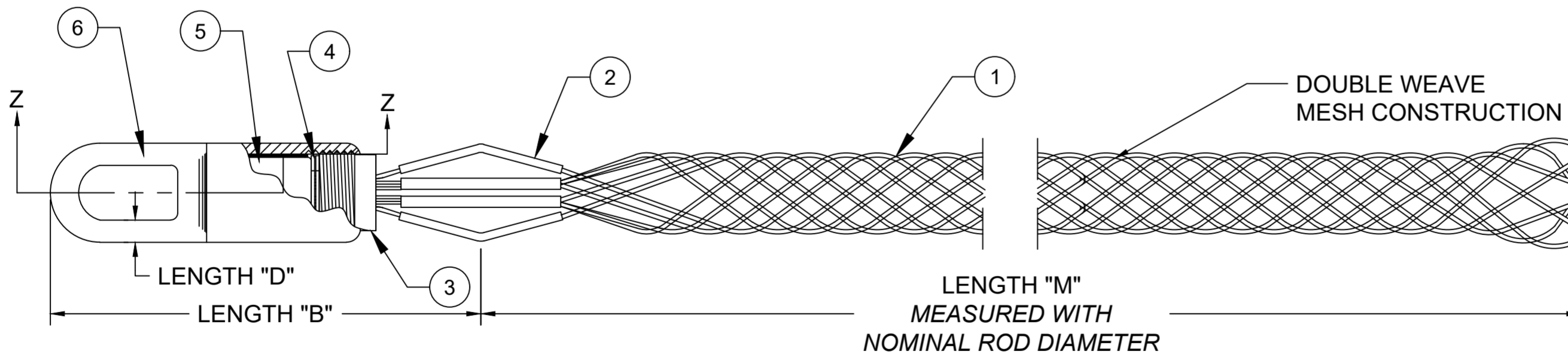
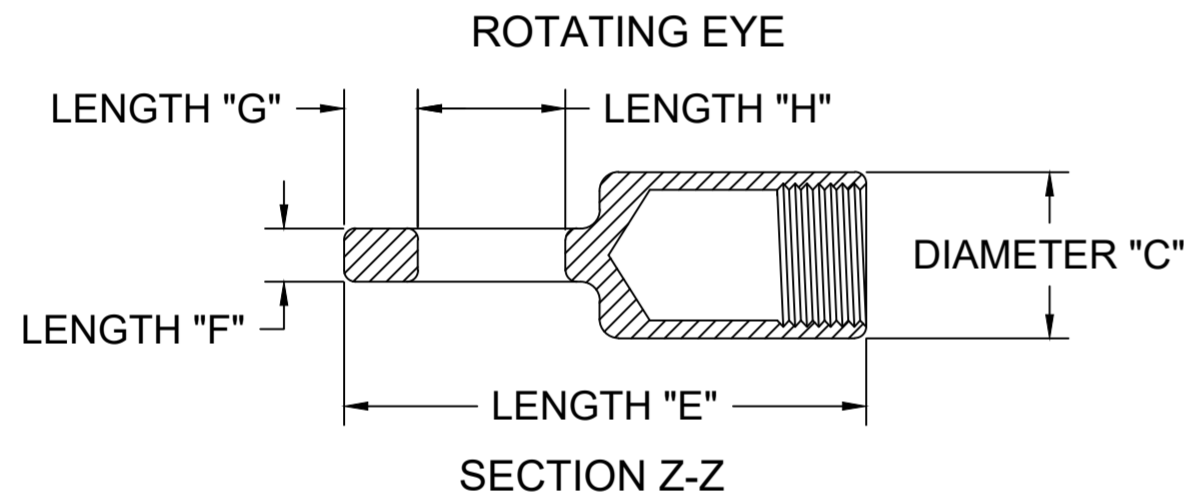


| CATALOG NUMBER | MATERIAL NUMBER | CABLE RANGE | NOMINAL ROD DIAMETER | LENGTH "M" | LENGTH "B" | APPROXIMATE BREAK STRENGTH* (LBS / N) | UL LISTED | CSA APPROVED | PRODUCT SELECTION NUMBER |
|----------------|-----------------|-------------------------|----------------------|---------------------------|-------------------------|---------------------------------------|-----------|--------------|--------------------------|
| 35865 | 1300950124 | .50-.61 / 12.7-15.5 | .55 / 14.0 | 16.00±2.00 / 406.4±50.8 | 5.00±0.50 / 127.0±12.7 | 5600 / 24910 | N | O | PS050-2 |
| 35866 | 1300950125 | .62-.74 / 15.7-18.8 | .68 / 17.3 | 16.00±2.00 / 406.4±50.8 | 5.00±0.50 / 127.0±12.7 | 6800 / 30248 | | | PS062-2 |
| 35880 | 1300950135 | .75-.99 / 19.1-25.1 | .87 / 22.1 | 32.00±3.50 / 812.8±88.9 | 6.00±0.50 / 152.4±12.7 | 9600 / 42703 | | | PS075-3 |
| 35881 | 1300950136 | 1.00-1.49 / 25.4-37.8 | 1.24 / 31.5 | 33.00±3.50 / 838.2±88.9 | 7.00±1.00 / 177.8±25.4 | 16400 / 72951 | | | PS100-3 |
| 35882 | 1300950137 | 1.50-1.99 / 38.1-50.5 | 1.74 / 44.2 | 34.00±3.50 / 863.6±88.9 | 7.00±1.00 / 177.8±25.4 | 16400 / 72951 | | | PS150-3 |
| 35883 | 1300950138 | 2.00-2.49 / 50.8-63.2 | 2.24 / 56.9 | 36.00±3.50 / 914.4±88.9 | 9.00±1.00 / 228.6±25.4 | 27200 / 120992 | | | PS200-3 |
| 35884 | 1300950139 | 2.50-2.99 / 63.5-75.9 | 2.74 / 69.6 | 38.00±3.50 / 965.2±88.9 | 10.00±1.00 / 254.0±25.4 | 33000 / 146791 | | | PS250-3 |
| 35887 | 1300950142 | 4.00-4.49 / 101.6-114.0 | 4.24 / 107.7 | 42.00±4.50 / 1066.8±114.3 | 10.00±1.00 / 254.0±25.4 | 48000 / 213515 | | | PS400-3 |
| 35897 | 1300950143 | 4.50-4.99 / 114.3-126.7 | 4.74 / 120.4 | 58.00±5.00 / 1473.2±127.0 | 10.00±1.00 / 254.0±25.4 | 48000 / 213515 | | | PS450-4 |
| 35898 | 1300950144 | 5.00-5.99 / 127.0-152.1 | 5.49 / 139.4 | 60.00±5.00 / 1524.0±127.0 | 10.00±1.00 / 254.0±25.4 | 48000 / 213515 | | | PS500-4 |
| 35899 | 1300950145 | 6.00-6.99 / 152.4-177.5 | 6.49 / 164.8 | 50.00±5.00 / 1270.0±127.0 | 10.00±1.00 / 254.0±25.4 | 48000 / 213515 | | | PS600-4 |

*TO DETERMINE RECOMMENDED WORKING LOAD, DIVIDE BREAK STRENGTH BY 5.

| ROTATING EYE DIMENSIONS - REFERENCE | | | | | | |
|-------------------------------------|----------------|-------------|----------------|--------------|--------------|---------------|
| CATALOG NUMBER | DIAMETER "C" | LENGTH "D" | LENGTH "E" | LENGTH "F" | LENGTH "G" | LENGTH "H" |
| 35865 | .875 / 22.23 | .187 / 4.75 | 2.750 / 69.85 | .281 / 7.14 | .250 / 6.35 | .875 / 22.23 |
| 35866 | .875 / 22.23 | .187 / 4.75 | 2.750 / 69.85 | .281 / 7.14 | .250 / 6.35 | .875 / 22.23 |
| 35880 | 1.000 / 25.40 | .219 / 5.56 | 3.625 / 92.08 | .500 / 12.70 | .312 / 7.92 | .906 / 23.01 |
| 35881 | 1.375 / 34.93 | .344 / 8.74 | 4.625 / 117.48 | .500 / 12.70 | .375 / 9.53 | 1.000 / 25.40 |
| 35882 | 1.375 / 34.93 | .344 / 8.74 | 4.625 / 117.48 | .500 / 12.70 | .375 / 9.53 | 1.000 / 25.40 |
| 35883 | 1.625 / 41.275 | .375 / 9.53 | 5.437 / 138.10 | .625 / 15.88 | .500 / 12.70 | 1.187 / 30.15 |
| 35884 | 1.875 / 47.625 | .437 / 11.1 | 6.250 / 158.75 | .656 / 16.66 | .500 / 12.70 | 1.375 / 34.93 |
| 35886 | 1.875 / 47.625 | .437 / 11.1 | 6.250 / 158.75 | .656 / 16.66 | .500 / 12.70 | 1.375 / 34.93 |
| 35887 | 1.875 / 47.625 | .437 / 11.1 | 6.250 / 158.75 | .656 / 16.66 | .500 / 12.70 | 1.375 / 34.93 |
| 35897 | 1.875 / 47.625 | .437 / 11.1 | 6.250 / 158.75 | .656 / 16.66 | .500 / 12.70 | 1.375 / 34.93 |
| 35898 | 1.875 / 47.625 | .437 / 11.1 | 6.250 / 158.75 | .656 / 16.66 | .500 / 12.70 | 1.375 / 34.93 |
| 35899 | 1.875 / 47.625 | .437 / 11.1 | 6.250 / 158.75 | .656 / 16.66 | .500 / 12.70 | 1.375 / 34.93 |



DOUBLE WEAVE MESH CONSTRUCTION

| ITEM | DESCRIPTION | MATERIAL |
|------|--------------------|------------------|
| 1 | WIRE MESH | GALVANIZED STEEL |
| 2 | SHOULDER PROTECTOR | ALUMINUM |
| 3 | THREADED INSERT | STEEL |
| 4 | FLAT WASHERS | NYLATRON |
| 5 | SWAGING FERRULE | STEEL |
| 6 | ROTATING EYE | STEEL |

INSTRUCTION SHEET TO BE INCLUDED WITH GRIP.

| | | | | |
|--|---|------------------------|--|--------------|
| FUNCTIONAL SYMBOLS $\nabla_A=0$ $\nabla_C=0$ $\nabla_P=0$ DIVISIONAL SYMBOLS | THIS DRAWING CONTAINS INFORMATION THAT IS PROPRIETARY TO MOLEX ELECTRONIC TECHNOLOGIES, LLC AND SHOULD NOT BE USED WITHOUT WRITTEN PERMISSION | | CURRENT REV DESC: OBSOLETE PART NUMBER AS PER PCN#510808 | |
| | DIMENSION UNITS | SCALE | EC NO: 736640 | |
| | INCH/MM | NTS | DRWN: SUGEEB | 2022/12/21 |
| | GENERAL TOLERANCES (UNLESS SPECIFIED) | | CHK'D: LIKITV | 2023/02/10 |
| mm | | INCH | APPR: GGA | 2023/02/16 |
| 4 PLACES ±---- | | ±---- | INITIAL REVISION: | |
| 3 PLACES ±---- | | ±0.005 | DRWN: HRUIZ01 | 2014/09/04 |
| 2 PLACES ±0.13 | | ±0.01 | APPR: JFMURPHY | 2015/03/23 |
| 1 PLACE ±0.25 | | ±0.02 | SERIES | |
| 0 PLACES ±---- | | ±---- | 130095 | |
| ANGULAR TOL ± 0.5° | | THIRD ANGLE PROJECTION | | |
| DRAFT WHERE APPLICABLE MUST REMAIN WITHIN DIMENSIONS | | DRAWING C-SIZE | | |
| DOCUMENT NUMBER | | DOC TYPE/DOC PART | | REVISION |
| SD-130095-107 | | PSD | | 001 A2 |
| MATERIAL NUMBER | | CUSTOMER | | SHEET NUMBER |
| SEE TABLE | | GENERAL MARKET | | 1 OF 1 |

molex

PULLING GRIPS
HEAVY DUTY STANDARD LENGHT K-TYPE

PRODUCT CUSTOMER DRAWING