

6 5 4 3 2 1

E E

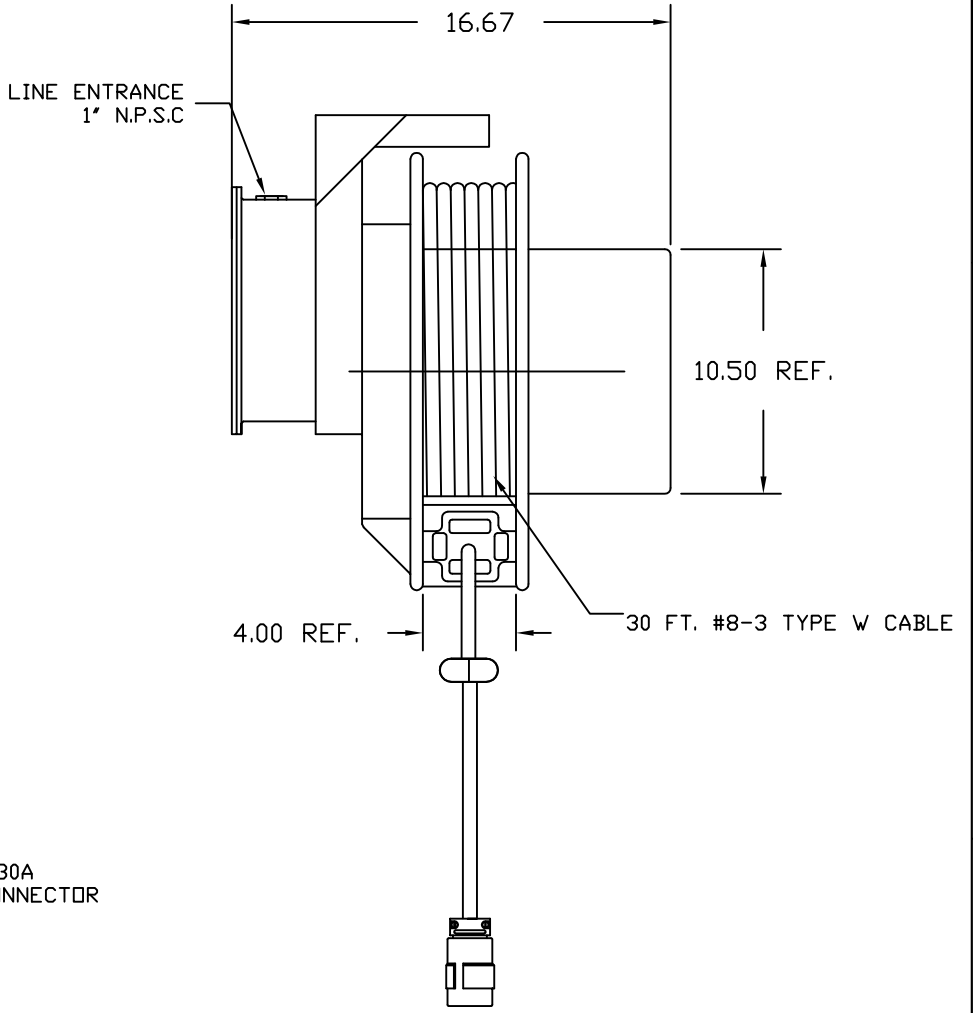
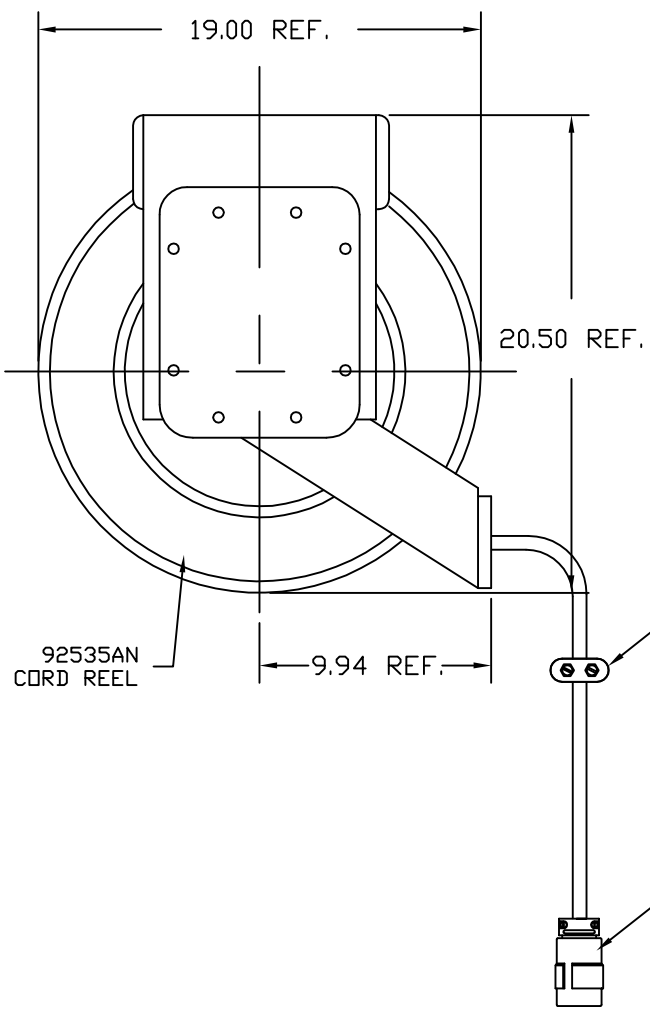
D D

C C

B B

A A

6 5 4 3 2 1



CUSTOMER DRAWING EC NO: WNA2008-0400 DRWN: TVICKERS 2008/07/01 CHKD: DC 2008/7/1 APPR: SZAFAR 2008/07/10	DESCRIPTION REV	QUALITY SYMBOLS ▽=0 ▽C=0	GENERAL TOLERANCES (UNLESS SPECIFIED)		DIMENSION STYLE ----		SCALE NTS	DESIGN UNITS INCH	THIRD ANGLE PROJECTION				
			4 PLACES ±--- ±--- 3 PLACES ±--- ±.020 2 PLACES ±--- ±.010 1 PLACE ±--- ±.005	mm INCH ±--- ±--- ±--- ±.020 ±--- ±.010 ±--- ±.005	DRAWN BY DATE TV 2008/7/1 CHECKED BY DATE DC 2008/7/1 APPROVED BY DATE SZ 2008/7/1	TITLE 92535AN REEL W/ (9253) BALL STOP & (2947) CONNECTOR		MOLEX INCORPORATED		SHEET NO. 1 OF 1			
		ANGULAR ±.5°			DRAFT WHERE APPLICABLE MUST REMAIN WITHIN DIMENSIONS		MATERIAL NO. 1300840341		DOCUMENT NO. SD-130084-001		THIS DRAWING CONTAINS INFORMATION THAT IS PROPRIETARY TO MOLEX INCORPORATED AND SHOULD NOT BE USED WITHOUT WRITTEN PERMISSION		
		SIZE A											
		A											