

F

E

D

C

B

A

F

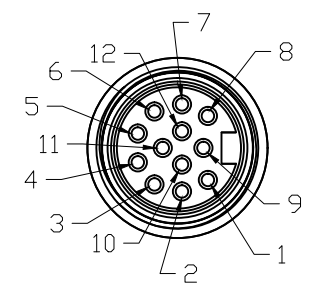
E

D

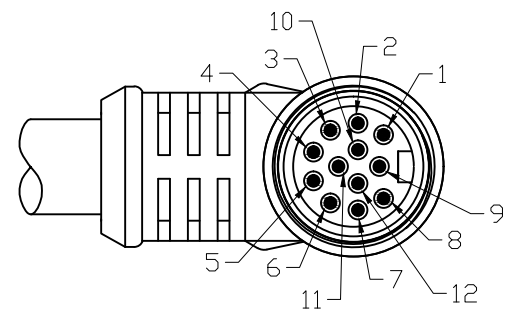
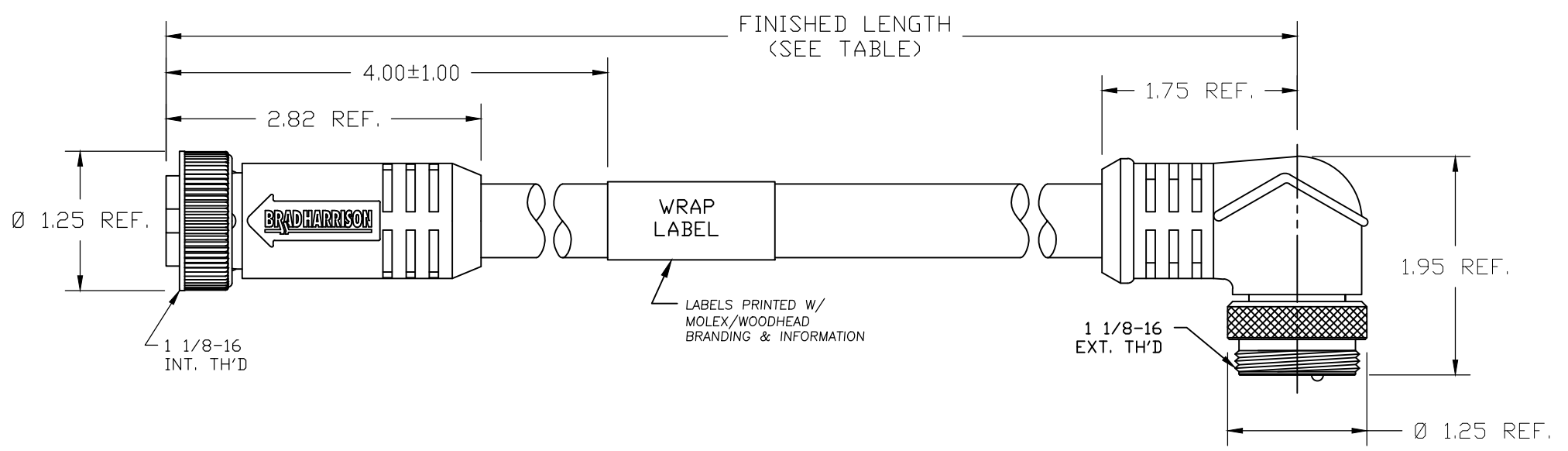
C

B

A



FEMALE FACE VIEW



MALE FACE VIEW

1	WHITE	1
2	GREEN	2
3	YELLOW	3
4	GRAY	4
5	PINK	5
6	RED	6
7	BLACK	7
8	VIOLET	8
9	GREEN/YELLOW	9
10	BROWN	10
11	BLUE	11
12	GRAY/PINK	12

MOLEX SAP P/N#	ENGINEERING P/N#	"L" (Meters)	"L" (INCH)	TOLERANCE (INCH)
1300120696	332032K04M005	0.5 M	19.68"	+1.75"/-0.00"
1300120697	332032K04M010	1.0 M	39.37"	+2.19"/-0.00"
1300120698	332032K04M015	1.5 M	59.05"	+2.19"/-0.00"
1300120699	332032K04M020	2.0 M	78.74"	+3.50"/-0.00"
1300120700	332032K04M025	2.5 M	98.42"	+3.50"/-0.00"
1300120701	332032K04M030	3.0 M	118.11"	+3.50"/-0.00"
1300120702	332032K04M035	3.5 M	137.79"	+3.50"/-0.00"
1300120703	332032K04M040	4.0 M	157.48"	+6.50"/-0.00"
1300120704	332032K04M050	5.0 M	196.85"	+6.50"/-0.00"
1300120705	332032K04M060	6.0 M	236.22"	+6.50"/-0.00"
1300120706	332032K04M080	8.0 M	314.96"	+12.50"/-0.00"
1300120707	332032K04M100	10.0 M	393.70"	+12.50"/-0.00"
1300120708	332032K04M120	12.0 M	472.44"	+12.50"/-0.00"
1300120709	332032K04M150	15.0 M	590.55"	+24.50"/-0.00"
1300120710	332032K04M200	20.0 M	787.40"	+24.50"/-0.00"
1300120711	332032K04M250	25.0 M	984.25"	+24.50"/-0.00"
1300120712	332032K04M300	30.0 M	1181.10"	+24.50"/-0.00"
1300120713	332032K04M400	40.0 M	1574.80"	+31.50"/-0.00"
1300120714	332032K04M500	50.0 M	1968.50"	+39.37"/-0.00"
1300120715	332032K04M600	60.0 M	2362.20"	+47.24"/-0.00"

SPECIFICATIONS:

COUPLING NUT: (FEMALE) ZINC DIECAST W/ BLACK ELECTROPHORETIC COATING
 (MALE) BLACK ANODIZED ALUMINUM
 CONTACT MATERIAL: GOLD/NICKEL OVER COPPER ALLOY
 INSERT MATERIAL: YELLOW TPE
 OVERMOLD MATERIAL: YELLOW TPE
 CABLE: #16/12 YELLOW TPE
 2 MILLION CYCLE HI-FLEX
 TC-ER & FT1 RATED
 ASSEMBLY RATING: 600V, 8A
 ENVIRONMENTAL: -20°C TO 90°C
 IP67 WHEN MATED
 AGENCY APPROVALS: UL LISTED

INITIAL RELEASE EC NO: IPG2012-0406 DRWN: VOU 2012/02/27 CHKD: TWOLDEGE APPR: JFMURPHY 2013/04/05	QUALITY SYMBOLS ▽=0 ◻=0	GENERAL TOLERANCES (UNLESS SPECIFIED)		DIMENSION STYLE INCH ONLY		SCALE 3:4	DESIGN UNITS INCH	THIRD ANGLE PROJECTION		
		4 PLACES	±---	±---	DRAWN BY	DATE	TITLE MINI-CHANGE CORDSET 12P MALE/FEMALE 90/ST #16/12 TPE CABLE			
		3 PLACES	±---	±.005	VOU	2012/02/27				
		2 PLACES	±0.13	±.010	CHECKED BY	DATE	MOLEX INCORPORATED DOCUMENT NO. SD-130012-013 SHEET NO. 1 OF 1			
1 PLACE	±0.25	±.020	TWOLDEGE	2013/03/04						
ANGULAR ±1/2°		DRAFT WHERE APPLICABLE MUST REMAIN WITHIN DIMENSIONS		APPROVED BY DATE JFMURPHY 2013/04/05		MATERIAL NO. SEE CHART		THIS DRAWING CONTAINS INFORMATION THAT IS PROPRIETARY TO MOLEX INCORPORATED AND SHOULD NOT BE USED WITHOUT WRITTEN PERMISSION		