

MATERIALS AND FINISHES

BODY ZINC ALLOY
 PLATED TIN (100u-in MIN) OVER
 NICKEL (100u-in MIN)

CAP ZINC ALLOY
 PLATED NICKEL (100u-in MIN)

CENTER CONTACT PHOSPHOR BRONZE
 PLATED GOLD (10u-in MIN) OVER
 NICKEL (100u-in MIN)

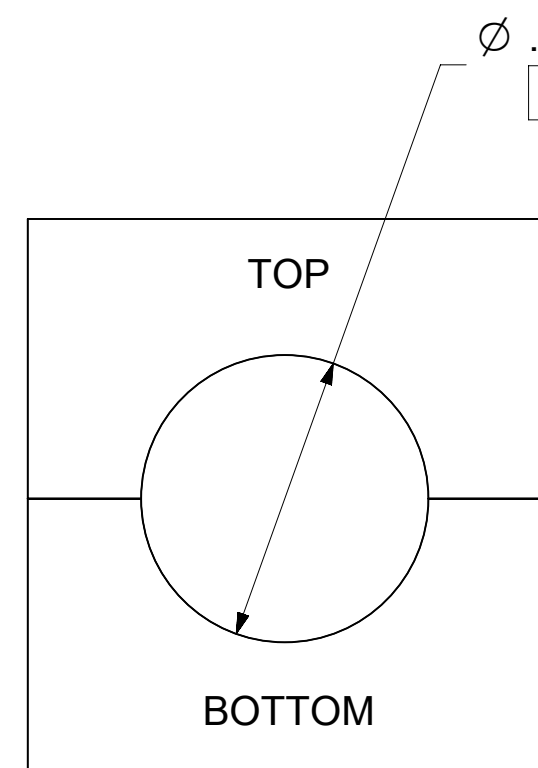
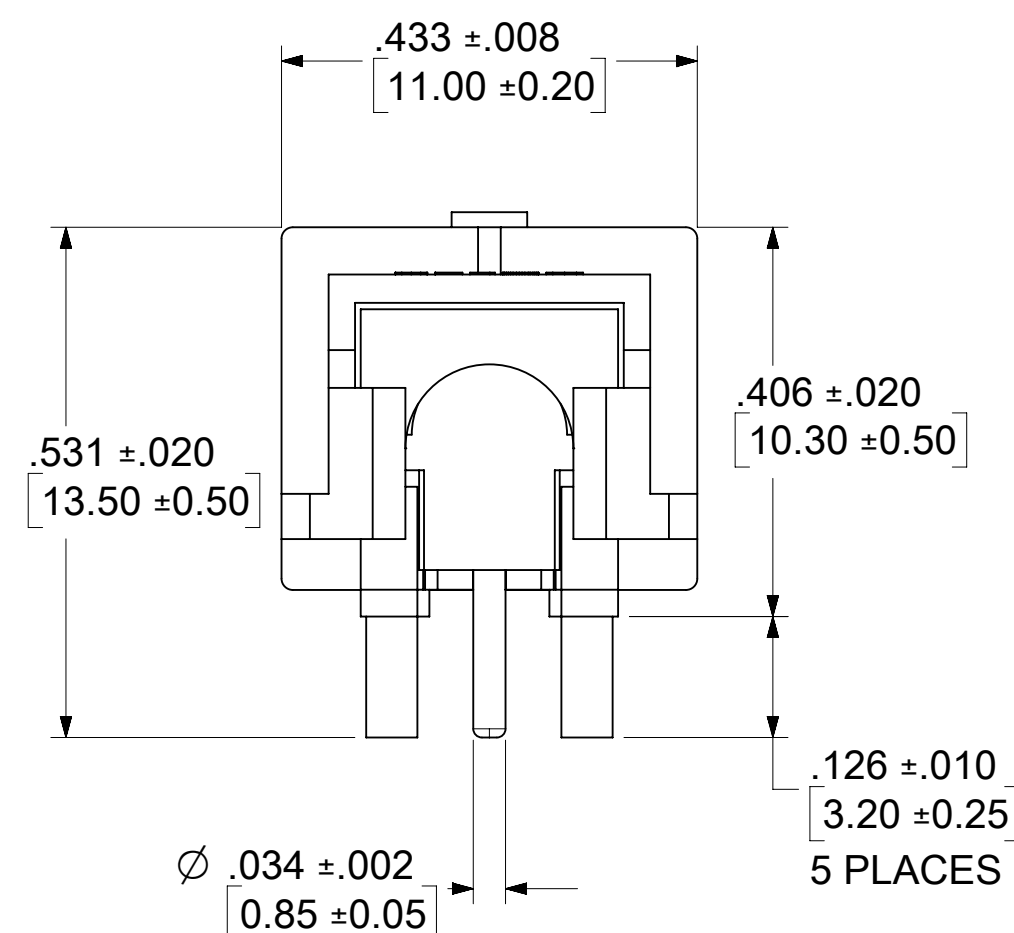
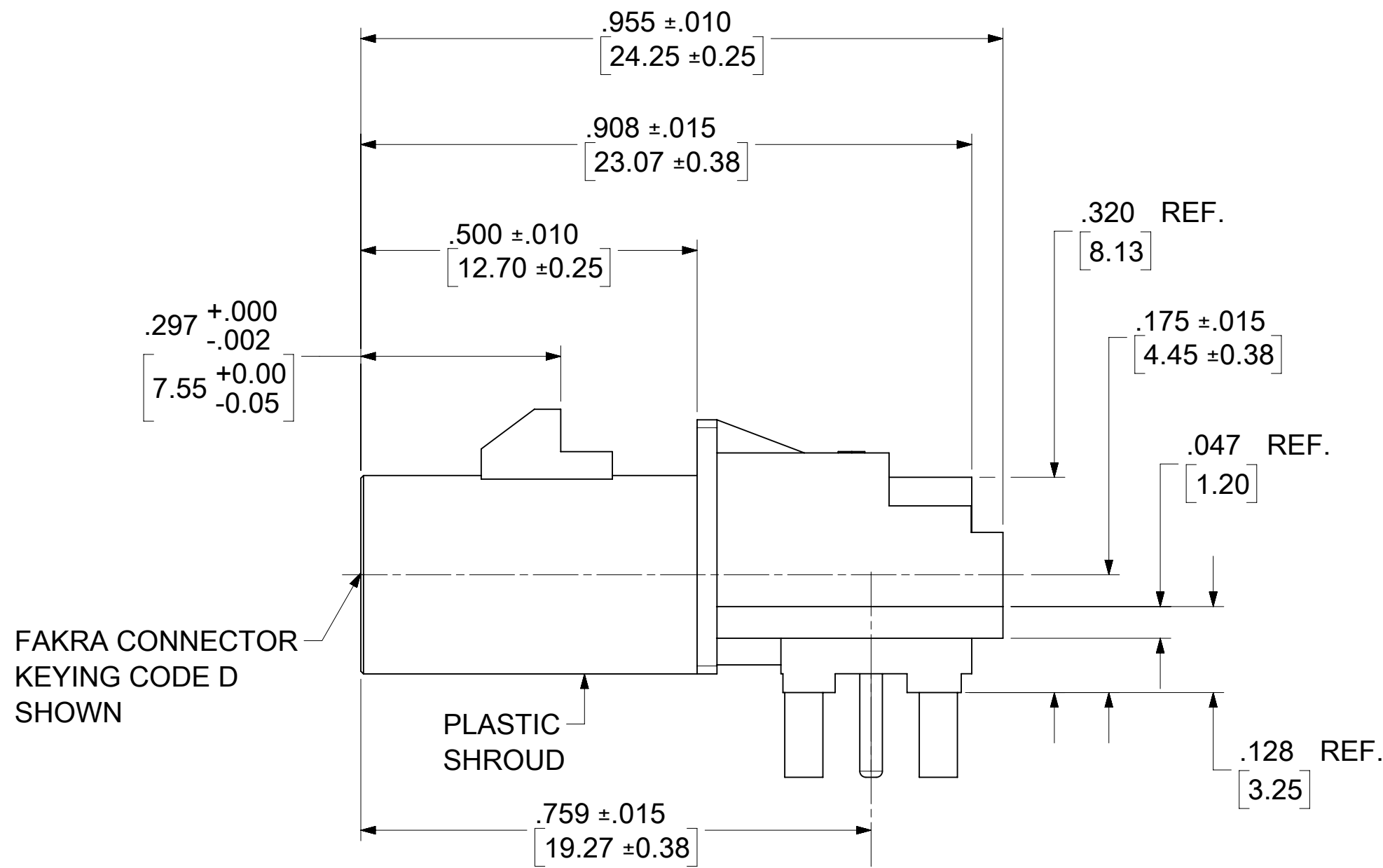
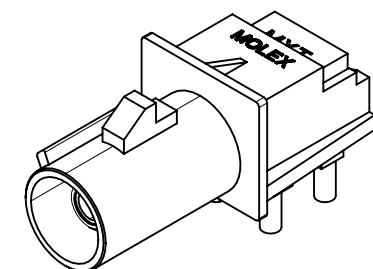
INSULATOR LCP

OUTER CASING HIGH TEMPERATURE PLASTIC
 KEYING SEE SHEET 2
 COLOR SEE SHEET 2

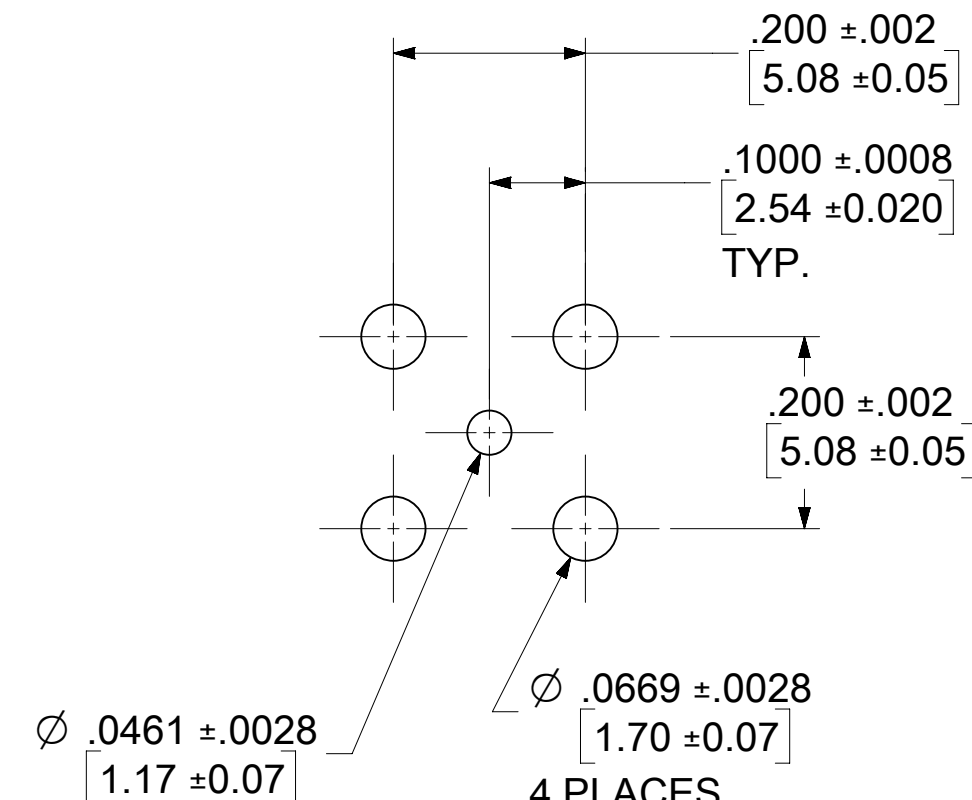
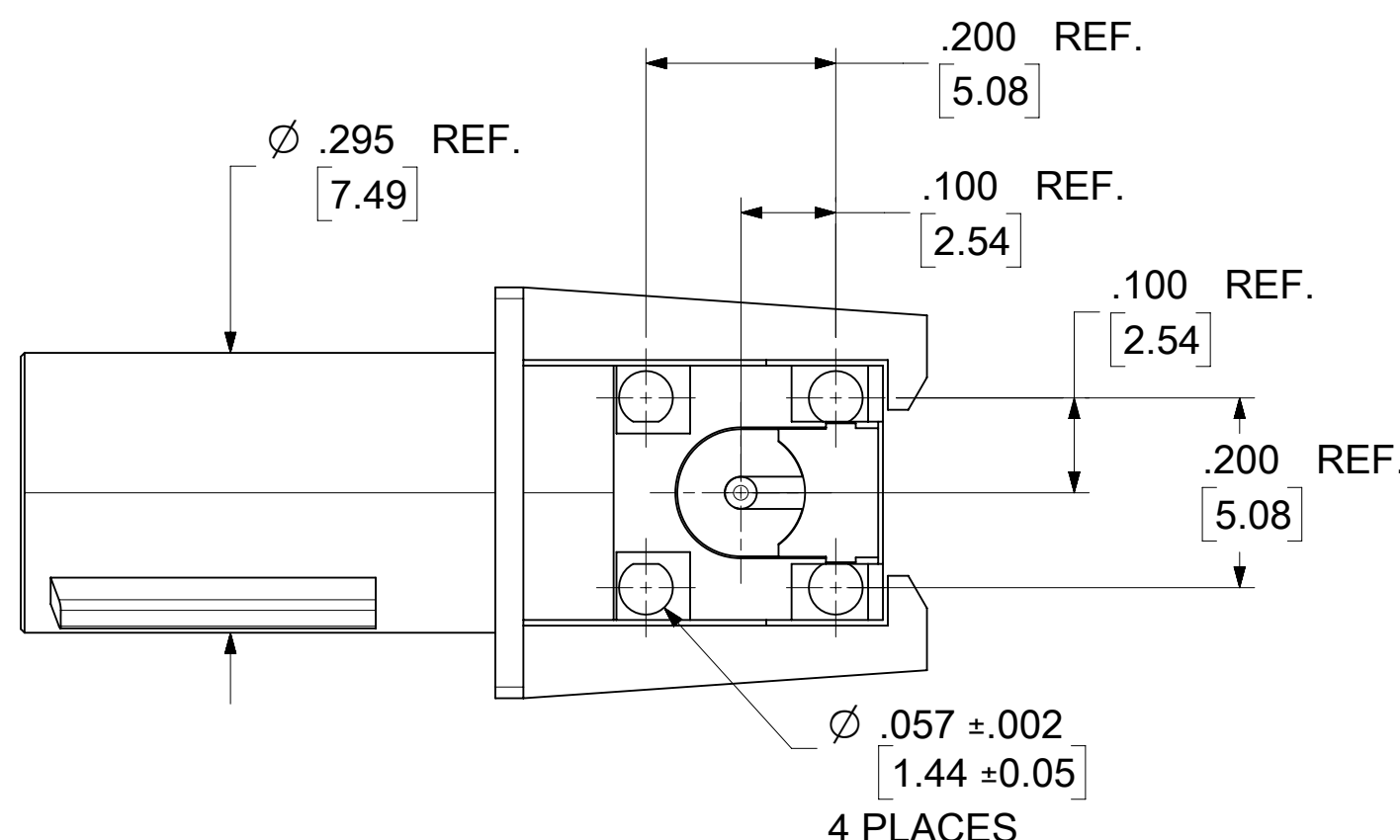
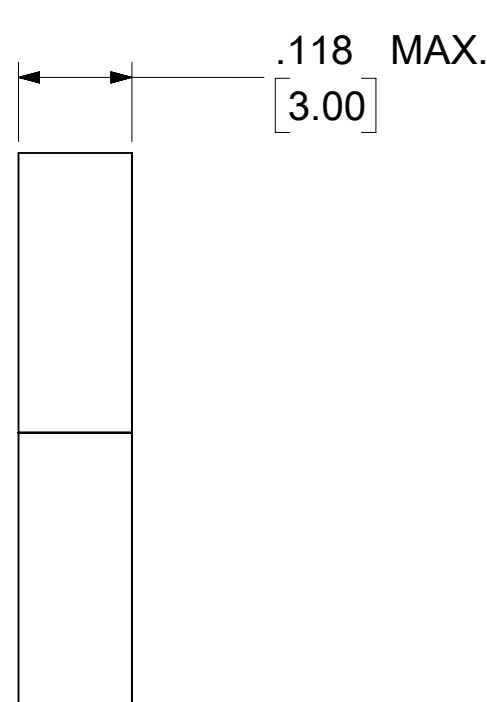
PACKAGING BY TRAY
 SEE SHEET 3

RETENTION SPECIFICATION:

THE FAKRA CONNECTOR SHROUD WILL WITHSTAND
 A LONGITUDINAL FORCE OF 110 N (24.75 LBS)



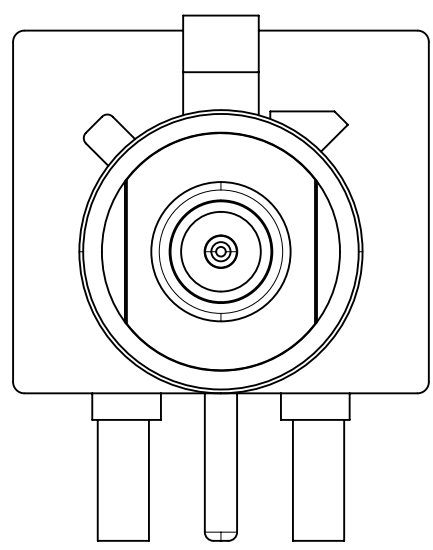
RECOMMENDED PANEL CUTOUT



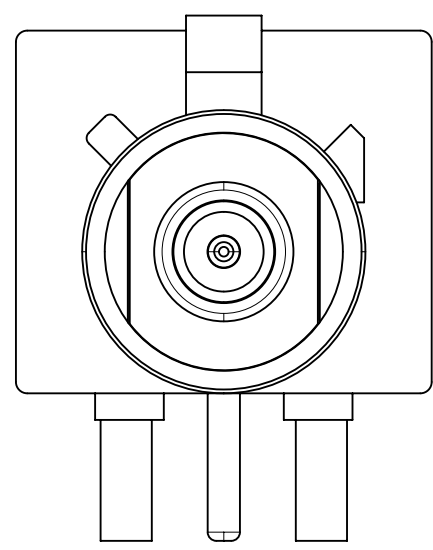
RECOMMENDED PCB LAYOUT

| | |
|---------------|-----------------------|
| PS-89675-3310 | PRODUCT SPECIFICATION |
| SPECIFICATION | DESCRIPTION |

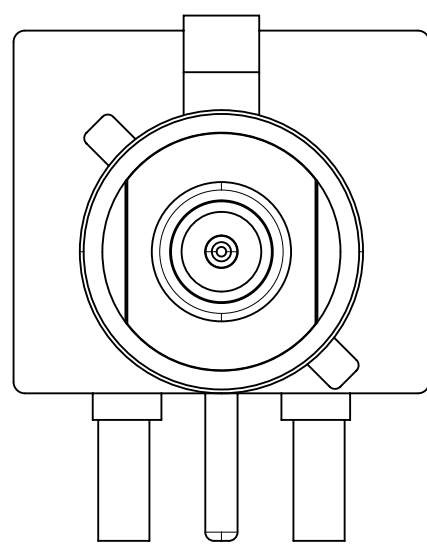
| | | | | | |
|--------------------|---------------------------------------|---|--------------------------|--|----------------|
| FUNCTIONAL SYMBOLS | | THIS DRAWING CONTAINS INFORMATION THAT IS PROPRIETARY TO MOLEX ELECTRONIC TECHNOLOGIES, LLC AND SHOULD NOT BE USED WITHOUT WRITTEN PERMISSION | | CURRENT REV DESC: ADDED PANEL CUTOUT PER EWR # 15015-B | |
| FA = 0 | DIMENSION UNITS | SCALE | | | |
| FC = 0 | INCH/MM | NTS | | | |
| FP = 0 | GENERAL TOLERANCES (UNLESS SPECIFIED) | | EC NO: 710773 | | |
| | ANGULAR TOL ± 2.0° | | DRWN: ELIN 2022/06/09 | | |
| | 4 PLACES ± | | CHK'D: YCHENG 2022/06/22 | | |
| | 3 PLACES ± | | APPR: YCHENG 2022/06/22 | | |
| | 2 PLACES ± | | INITIAL REVISION: | | |
| | 1 PLACE ± | | DRWN: SSHAH 2008/06/24 | | |
| | 0 PLACES ± | | APPR: JWIENER 2008/06/24 | | |
| DIVISIONAL SYMBOLS | | DRAFT WHERE APPLICABLE MUST REMAIN WITHIN DIMENSIONS | | THIRD ANGLE PROJECTION | |
| | | DRAWING | | SERIES | |
| | | C-SIZE | | 73404 | |
| DOCUMENT STATUS | | MATERIAL NUMBER | | CUSTOMER | |
| P1 | RELEASE DATE | 2022/06/22 | 06:32:14 | SEE TABLE | GENERAL MARKET |
| DOCUMENT NUMBER | | DOC TYPE | | DOC PART | |
| SD-73404-264 | | PSD | | 001 | |
| SHEET NUMBER | | REVISION | | | |
| 1 OF 3 | | A7 | | | |



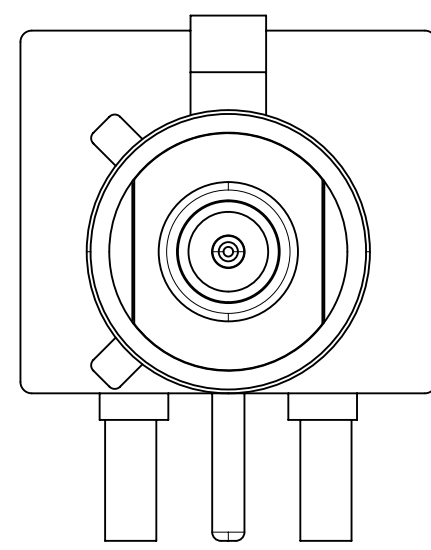
CODE A



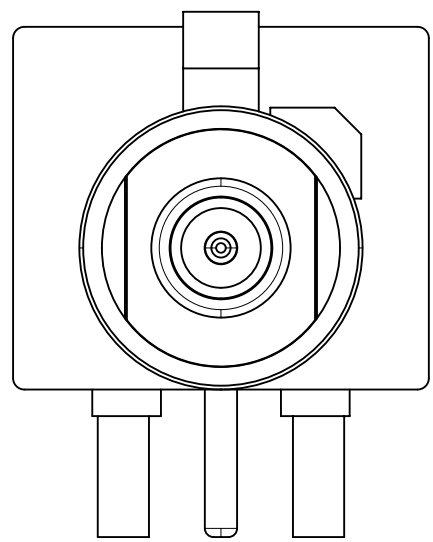
CODE B



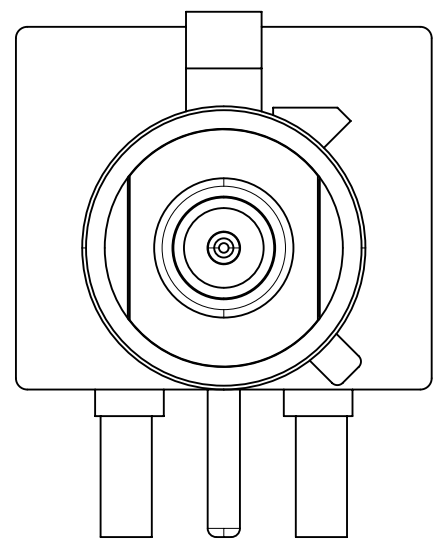
CODE C



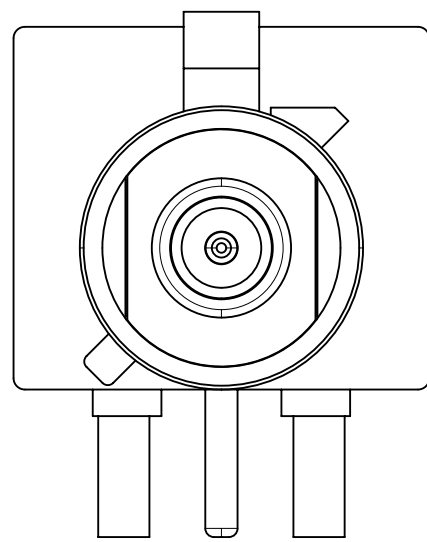
CODE D



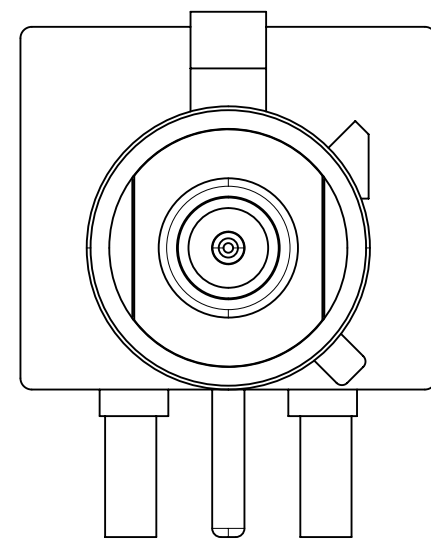
CODE E



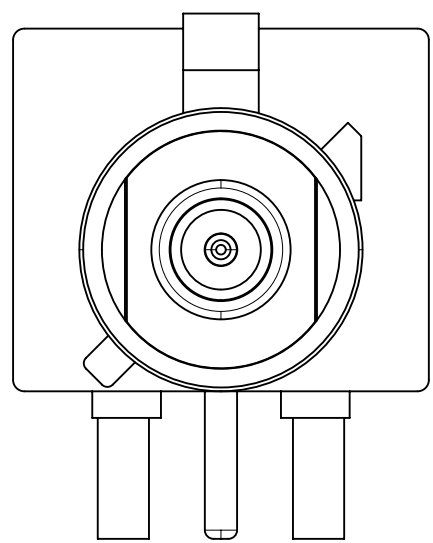
CODE F



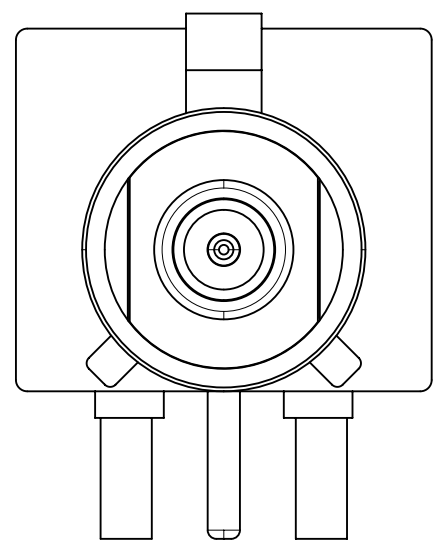
CODE G



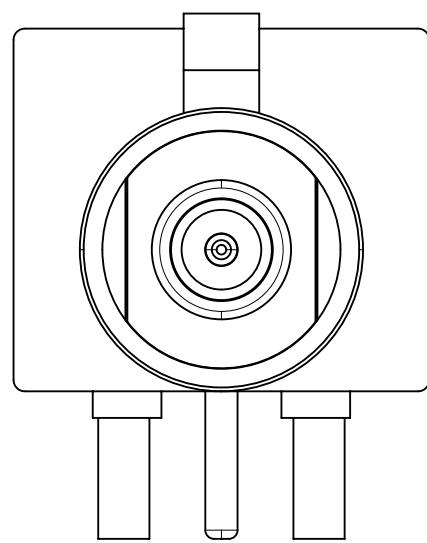
CODE H



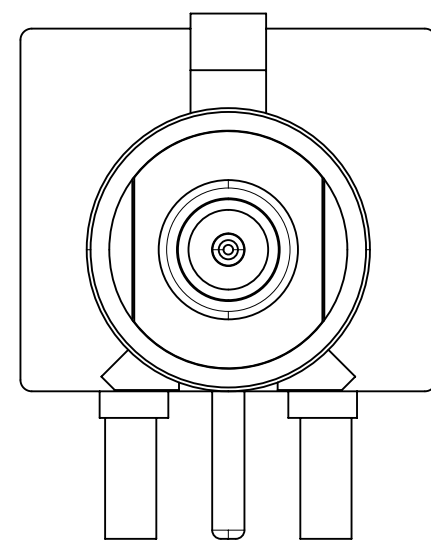
CODE I



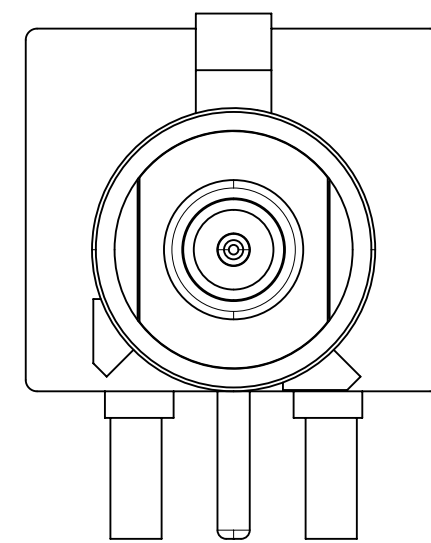
CODE K



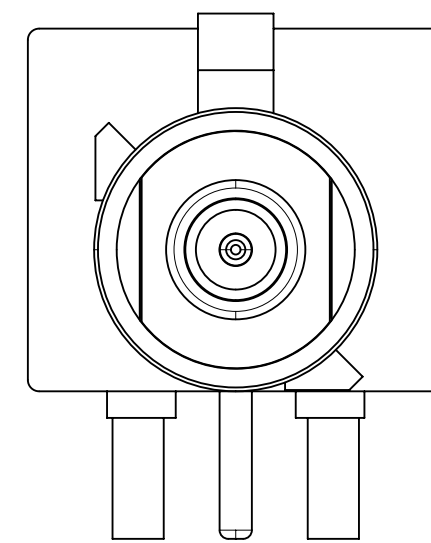
CODE Z



CODE L



CODE M



CODE N

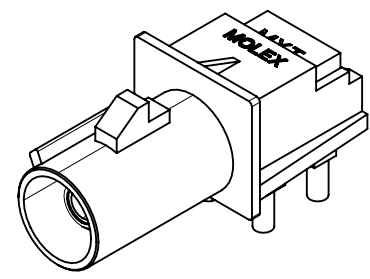
| | | |
|-------------|----------------|------------|
| N | PASTEL GREEN | 73404-2653 |
| M | PASTEL ORANGE | 73404-2652 |
| L | CARMINE RED | 73404-2651 |
| Z | WATER BLUE | 73404-2650 |
| K | CURRY YELLOW | 73404-2649 |
| I | BEIGE | 73404-2648 |
| H | VIOLET | 73404-2647 |
| G | GRAY | 73404-2646 |
| F | BROWN | 73404-2645 |
| E | GREEN | 73404-2644 |
| D | BORDEAUXVIOLET | 73404-2643 |
| C | BLUE | 73404-2642 |
| B | CREAM WHITE | 73404-2641 |
| A | BLACK | 73404-2640 |
| KEYING CODE | COLOR | PART NO. |

| | | | | | | | | | | | |
|---|--|---------------------------------------|--|--------------|--|--|--|-----------------|--|--------------------------------|--|
| THIS DRAWING CONTAINS INFORMATION THAT IS PROPRIETARY TO MOLEX ELECTRONIC TECHNOLOGIES, LLC AND SHOULD NOT BE USED WITHOUT WRITTEN PERMISSION | | | | | | | | | | | |
| FUNCTIONAL SYMBOLS | | DIMENSION UNITS | | SCALE | | CURRENT REV DESC: ADDED PANEL CUTOUT PER EWR # 15015-B | | | | | |
| FA = 0 | | INCH/MM | | NTS | | EC NO: 710773 DRWN: ELIN 2022/06/09 CHK'D: YCHENG 2022/06/22 APPR: YCHENG 2022/06/22 INITIAL REVISION: DRWN: SSHAH 2008/06/24 APPR: JWIENER 2008/06/24 | | | | | |
| FC = 0 | | GENERAL TOLERANCES (UNLESS SPECIFIED) | | | | | | | | | |
| FP = 0 | | ANGULAR TOL ± 2.0° | | | | | | | | | |
| DIVISIONAL SYMBOLS | | 4 PLACES ± | | 3 PLACES ± | | 2 PLACES ± | | 1 PLACE ± | | 0 PLACES ± | |
| DRAFT WHERE APPLICABLE MUST REMAIN WITHIN DIMENSIONS | | THIRD ANGLE PROJECTION | | DRAWING | | SERIES | | MATERIAL NUMBER | | CUSTOMER | |
| | | | | C-SIZE | | 73404 | | SEE TABLE | | GENERAL MARKET | |
| DOCUMENT STATUS | | P1 | | RELEASE DATE | | 2022/06/22 06:32:14 | | DOCUMENT NUMBER | | DOC TYPE DOC PART REVISION | |
| | | | | | | | | SD-73404-264 | | PSD 001 A7 | |
| | | | | | | | | SHEET NUMBER | | 2 OF 3 | |

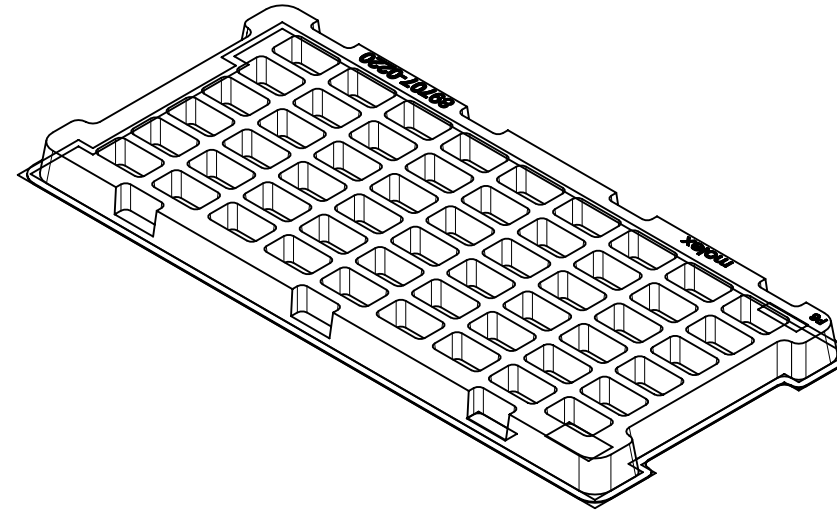
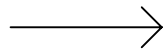
molex

SMB JACK, R/A, PCB, FAKRA
50 OHMS, 4.45MM HEIGHT EWR-3611
SMB-J/RA/FAKRA

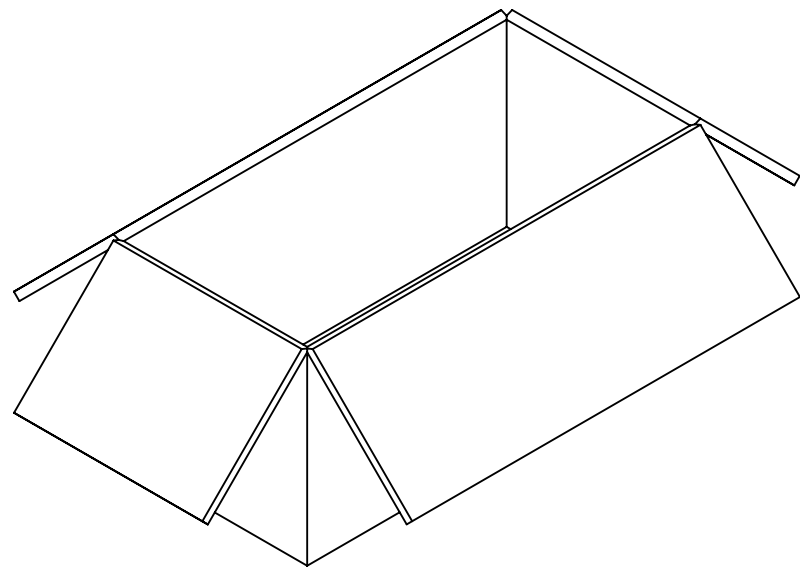
PRODUCT CUSTOMER DRAWING



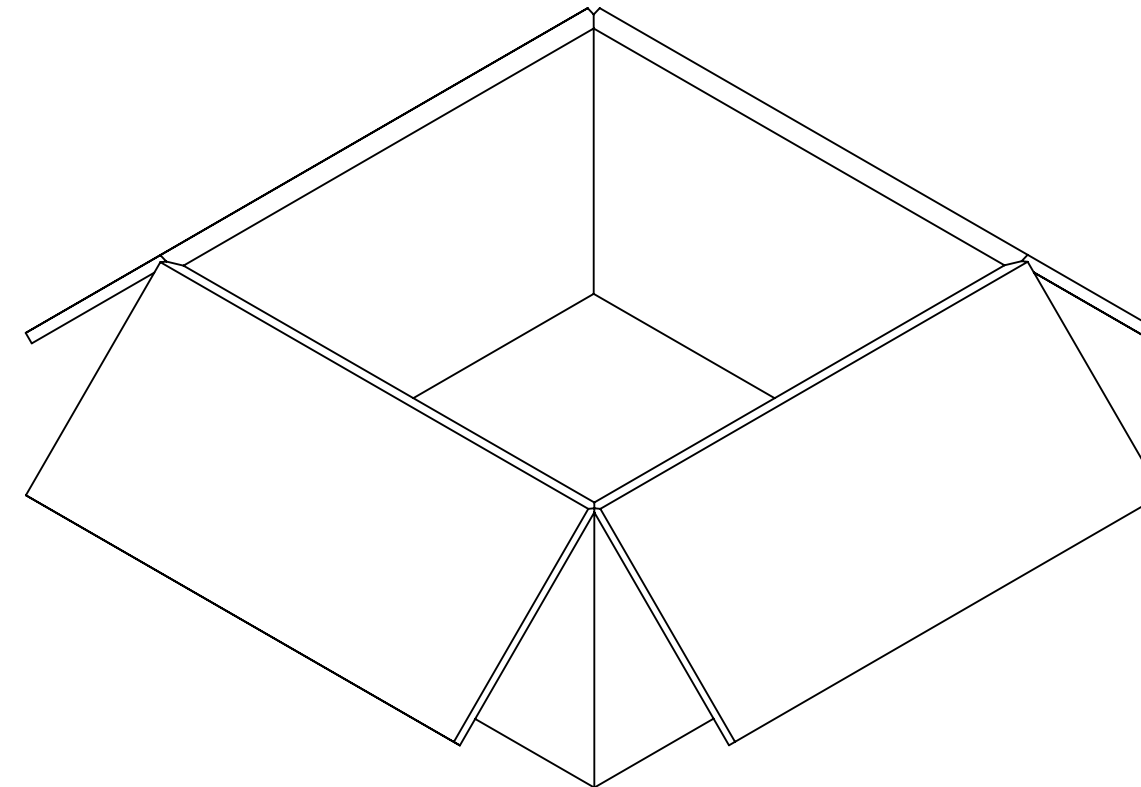
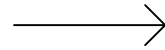
P/N: 73404-264x



54 SET PER TRAY
TRAY P/N: 89707-0220



540 SRT PER INNER
CARTON BOX
P/N: 96707-0001



1080 SRT PER OUTER
CARTON BOX
P/N: 96708-0005

| | | | | | | | | | | | |
|--|---|------------------------|--|--|---------|--------|----------------|--|---------------------------------|--------------------------|--------------|
| FUNCTIONAL SYMBOLS | THIS DRAWING CONTAINS INFORMATION THAT IS PROPRIETARY TO MOLEX ELECTRONIC TECHNOLOGIES, LLC AND SHOULD NOT BE USED WITHOUT WRITTEN PERMISSION | | | | | | | | | | |
| | DIMENSION UNITS | SCALE | CURRENT REV DESC: ADDED PANEL CUTOUT PER EWR # 15015-B | | | | | | | | |
| $\frac{F}{A} = 0$ | INCH/MM | NTS | GENERAL TOLERANCES (UNLESS SPECIFIED) | | | | | | | | |
| $\frac{E}{C} = 0$ | ANGULAR TOL $\pm 2.0^\circ$ | | EC NO: 710773 | | | | | | | PRODUCT CUSTOMER DRAWING | |
| $\frac{E}{P} = 0$ | 4 PLACES | \pm | DRWN: ELIN 2022/06/09 | | | | | | | | |
| DIVISIONAL SYMBOLS | 3 PLACES | \pm | CHK'D: YCHENG 2022/06/22 | | | | | | | DOC TYPE PSD | |
| | 2 PLACES | \pm | APPR: YCHENG 2022/06/22 | | | | | | | | |
| | 1 PLACE | \pm | INITIAL REVISION: | | | | | | | REVISION A7 | |
| 0 PLACES | \pm | DRWN: SSHAH 2008/06/24 | | | | | | | MATERIAL NUMBER 73404 | | |
| DRAFT WHERE APPLICABLE MUST REMAIN WITHIN DIMENSIONS | | | THIRD ANGLE PROJECTION | | DRAWING | SERIES | CUSTOMER | | | | SHEET NUMBER |
| | | | | | C-SIZE | 73404 | GENERAL MARKET | | 3 OF 3 | | |

| | | | | |
|-----------------|----|--------------|------------|----------|
| DOCUMENT STATUS | P1 | RELEASE DATE | 2022/06/22 | 06:32:14 |
|-----------------|----|--------------|------------|----------|