

POTTER & BRUMFIELD POWER PCB RELAY T9V SERIES

TE Connectivity (TE)'s Potter & Brumfield Power PCB relay T9V series is primarily designed for electrical vehicle charging stations, charging cables and for photovoltaic inverter applications. The extended contact gap (> 1.8 mm) of this relay provides improved isolation and allows usage in higher elevation environments. Other applications include stand by power units, washing machines and dryer disconnections. The T9V series relay is UL recognized, VDE, TÜV and CQC approved and allows coil holding voltage reduction down to 4.7 V.



Applications

- Electrical vehicle loading stations
- Electrical vehicle charging cables
- Photovoltaic inverter
- Stand by power units
- Washing machines
- Dryers

Electrical

- Contact gap: >1.8mm
- Rated current: 40A
- Rated voltage: 250VAC

Mechanical

- 1 form A (NO) contact, 40 A
- 350mW hold power
- Ambient temperature up to 85°C at 35 A

Specifications

- VDE 40030974
- UL E58304
- CQC 16002145203
- TÜV R50369970

Materials

- Contact material: Silver Nickel

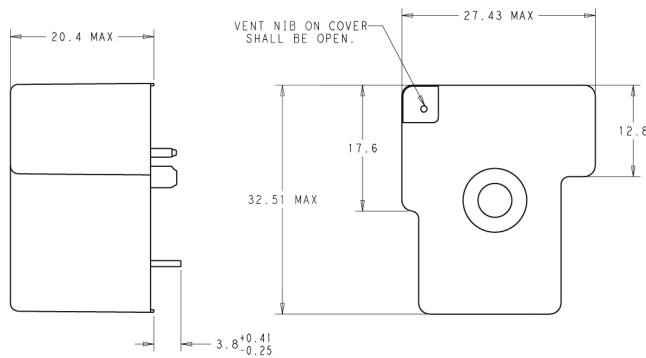
Benefits

- Provide an ideal solution for disconnect switch applications (safety)
- Enable high current switching (9 kW single and 27 kW 3 phase solar inverters)
- Provide a solution for cadmium-free application requirements
- Achieve improved isolation with extended contact gap (1.8 mm)
- Allow for coil holding voltage reduction down to 4.7 V

Product Selection Information

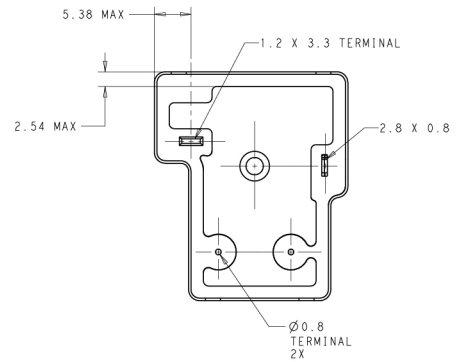
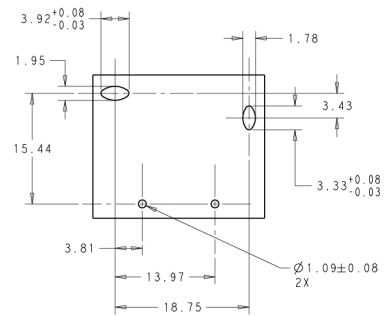
Part Number	Description	Contact arrangement	Contact Material	Contact Gap	Coil
2Q27395-5	T9VV1K15-12S	1 form A (NO) contact	AgNi	>1.8mm	12VDC

Dimensions

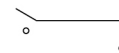


PCB layout / terminal assignments

Bottom view on solder pins



WIRING DIAGRAM (BOTTOM VIEW)



te.com

© 2017 TE Connectivity. All Rights Reserved. Potter & Brumfield, TE, TE Connectivity, and the TE connectivity (logo) are trademarks of the TE Connectivity Ltd. family of companies. Other logos, product and Company names mentioned herein may be trademarks of their respective owners.

While TE has made every reasonable effort to ensure the accuracy of the information in this brochure, TE does not guarantee that it is error-free, nor does TE make any other representation, warranty or guarantee that the information is accurate, correct, reliable or current. TE reserves the right to make any adjustments to the information contained herein at any time without notice. TE expressly disclaims all implied warranties regarding the information contained herein, including, but not limited to, any implied warranties of merchantability or fitness for a particular purpose. The dimensions in this catalog are for reference purposes only and are subject to change without notice. Specifications are subject to change without notice. Consult TE for the latest dimensions and design specifications.

1-1773935-8 FS 09/2017

USA: +1 (800) 522-6752
 Canada: +1 (905) 475-6222
 Mexico: +52 (0) 55-1106-0800
 Latin/S. America: +54 (0) 11-4733-2200
 Germany: +49 (0) 6251-133-1999
 UK: +44 (0) 800-267666
 France: +33 (0) 1-3420-8686
 The Netherlands: +31 (0) 73-6246-999
 China: +86 (0) 400-820-6015

