

# High Power High Performance Molded Surface Mount Inductors



MODEL HM72E-06

- Operating & Storage Temperature -40°C to +155°C
- Temperature Rise, Maximum 50°C
- Operating Frequency Up to 3MHz

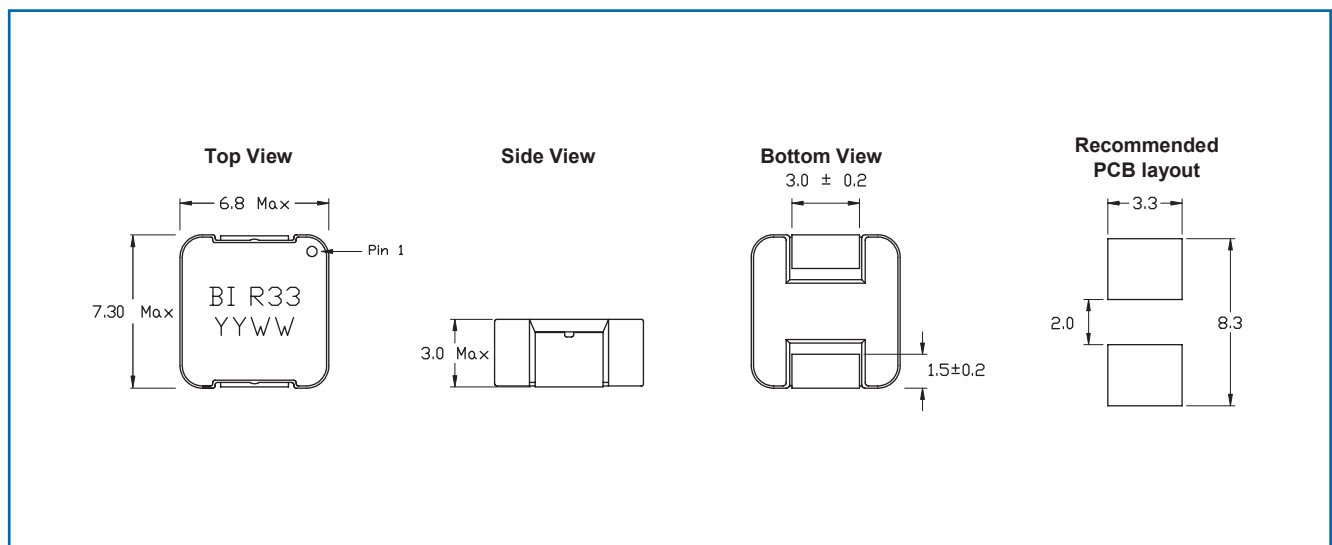


## Specifications @ 25°C

Part Number	Inductance <sup>(1)</sup> μH±20%	Heating Current <sup>(2)</sup> (A <sub>dc</sub> )	Isat <sup>(3)</sup> (A <sub>dc</sub> )	DCR (mΩ)	
				Typ.	Max.
HM72E-06R10LF	0.10	26.2	45.0	1.5	1.7
HM72E-06R20LF	0.20	20.3	34.0	2.5	2.8
HM72E-06R33LF	0.33	18.0	22.0	3.2	3.9
HM72E-06R47LF	0.47	16.1	19.0	4.0	4.2
HM72E-06R68LF	0.68	14.4	16.5	5.0	5.5
HM72E-061R0LF	1.00	10.3	15.0	9.0	10.0
HM72E-061R5LF	1.50	8.4	10.0	13.0	14.0
HM72E-062R2LF	2.20	8.3	8.5	18.0	20.0
HM72E-063R3LF	3.30	6.6	8.0	26.5	30.0
HM72E-064R7LF	4.70	5.4	6.5	39.0	42.0
HM72E-06330LF	33.0	1.8	2.5	302.0	332.0

- Notes: (1) Inductance is measured at 100 kHz, 0.1Vac without DC current.  
 (2) The Heating Current is the approximate DC current which causes the component temperature to increase by 50°C. This current is determined by soldering the component on a typical application PCB, and then applying the current to the device for 30 minutes.  
 (3) The saturation current (Isat) is the approximate current at which the inductance will be decreased by 20% typical from its initial (zero DC) value.  
 (4) The part temperature (ambient + temperature rise) should not exceed 155°C.

## Mechanical Outline Dimensions (mm)



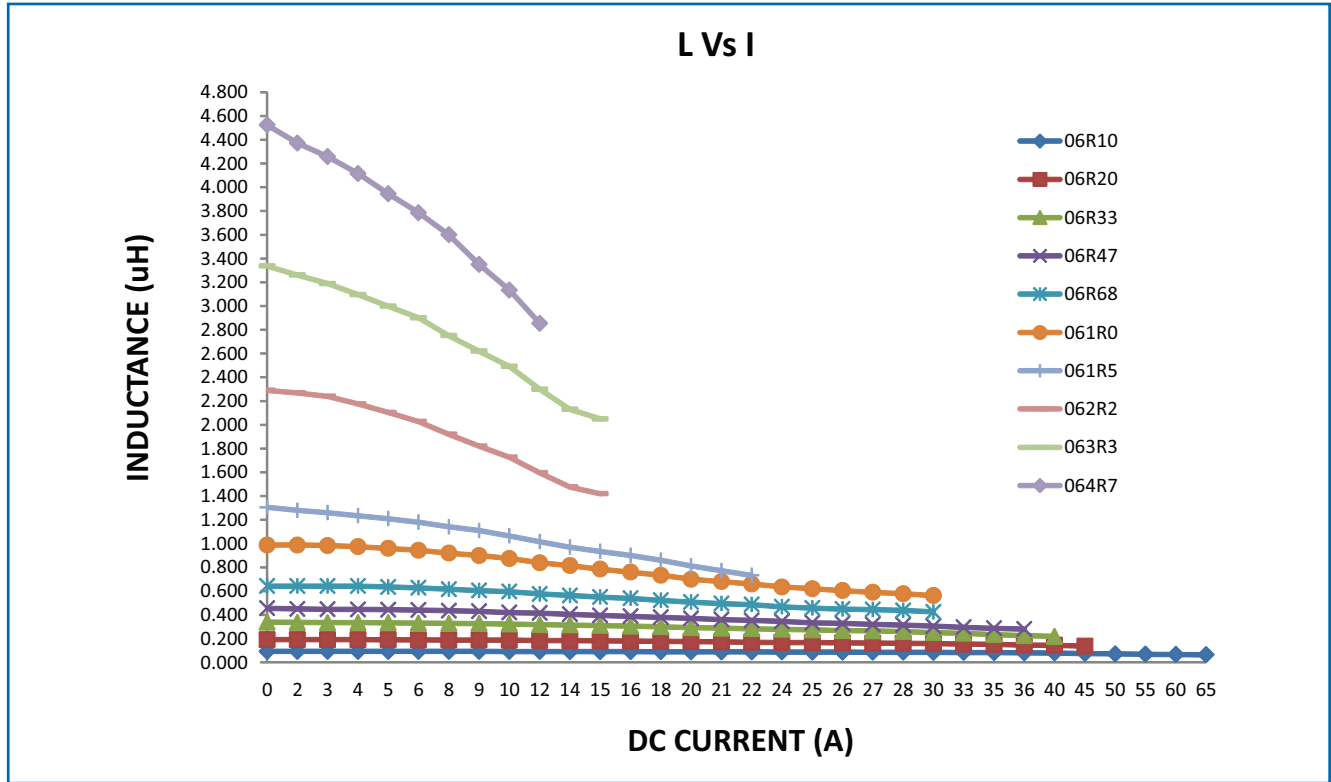
### General Note

TT electronics reserves the right to make changes in product specification without notice or liability. All information is subject to TT electronics' own data and is considered accurate at time of going to print.



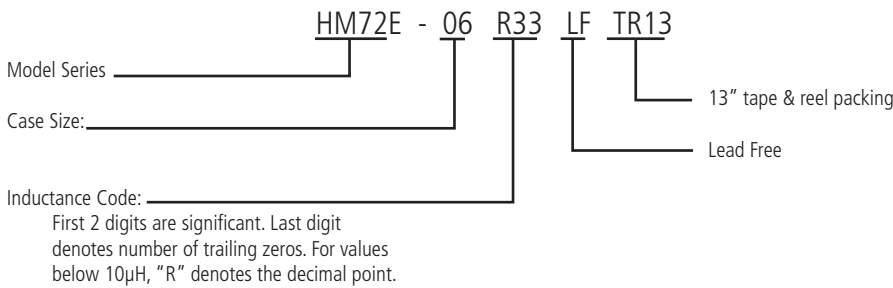
www.bitechnologies.com

## Electrical Characteristic @ 25°C



## Packing / Ordering Information

One reel (13")	2000 pcs
One shipping carton (6 reels)	12000 pcs



### General Note

TT electronics reserves the right to make changes in product specification without notice or liability. All information is subject to TT electronics' own data and is considered accurate at time of going to print.