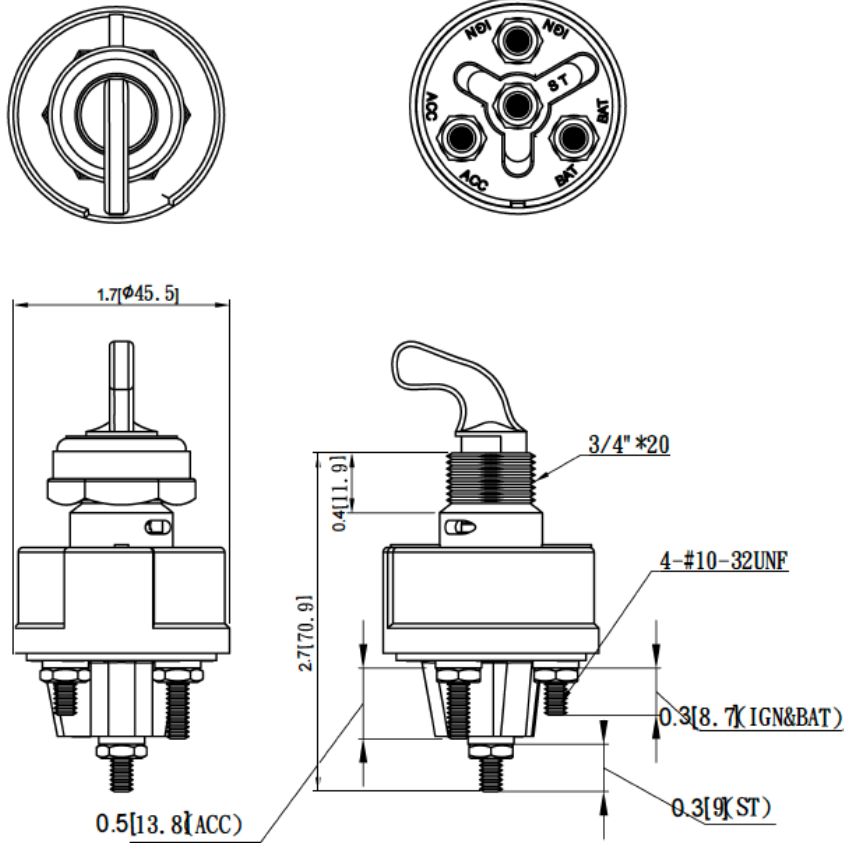
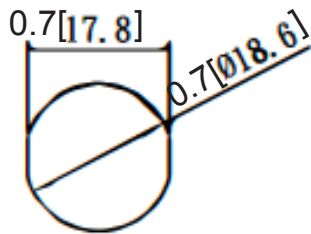


Mechanical Dimensions: Inches [mm]

Tolerances ± 0.012 [0.3] Unless Otherwise Specified

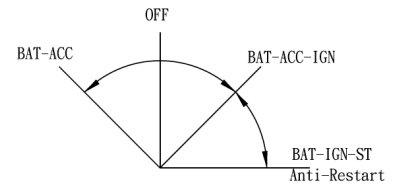


Mounting Hole



Circuit Diagram

4 Positions



Electrical Specifications

Continuous Rating	30A 12VDC
IGN Terminal Rating	8A 14VDC
ACC Terminal	30A 14VDC
Start	75A Make, 20A Break 14VDC

Material Specifications

Zinc diecast construction
Copper terminals

Rev	Date of issue	Revision Notes	Designed	Approved
A	11-19-2019	Initial Drawing	RC	OF