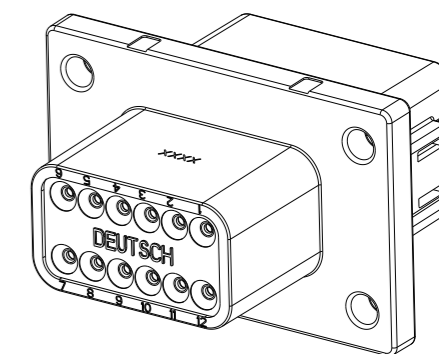
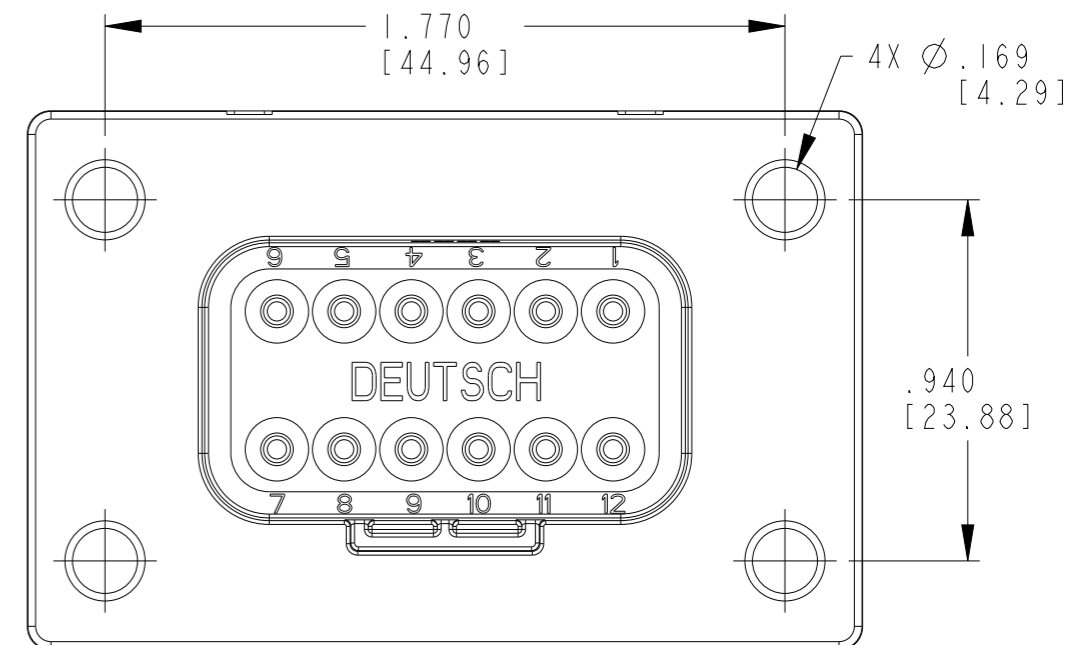
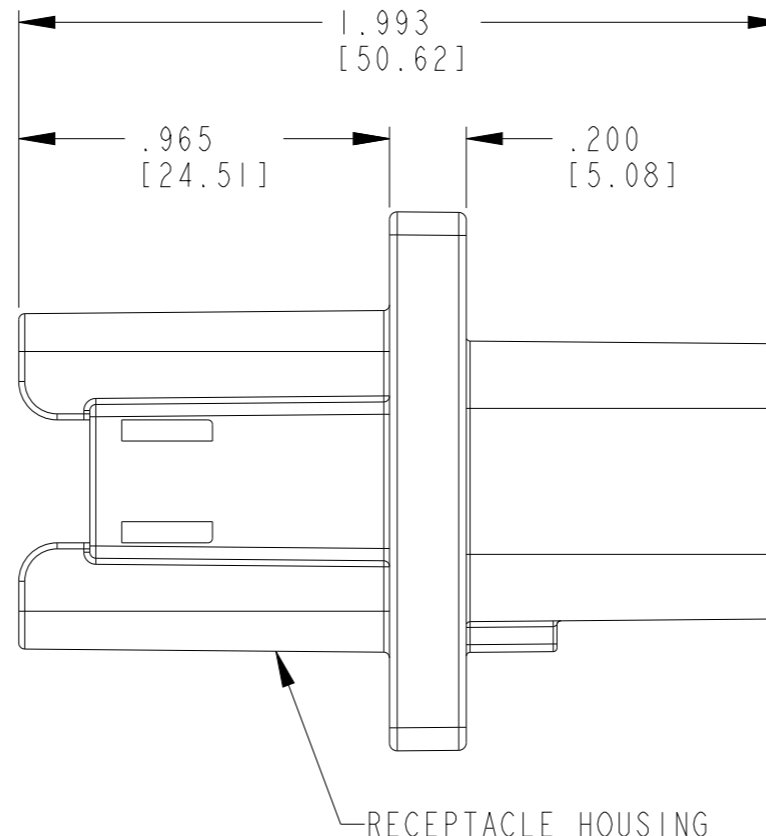
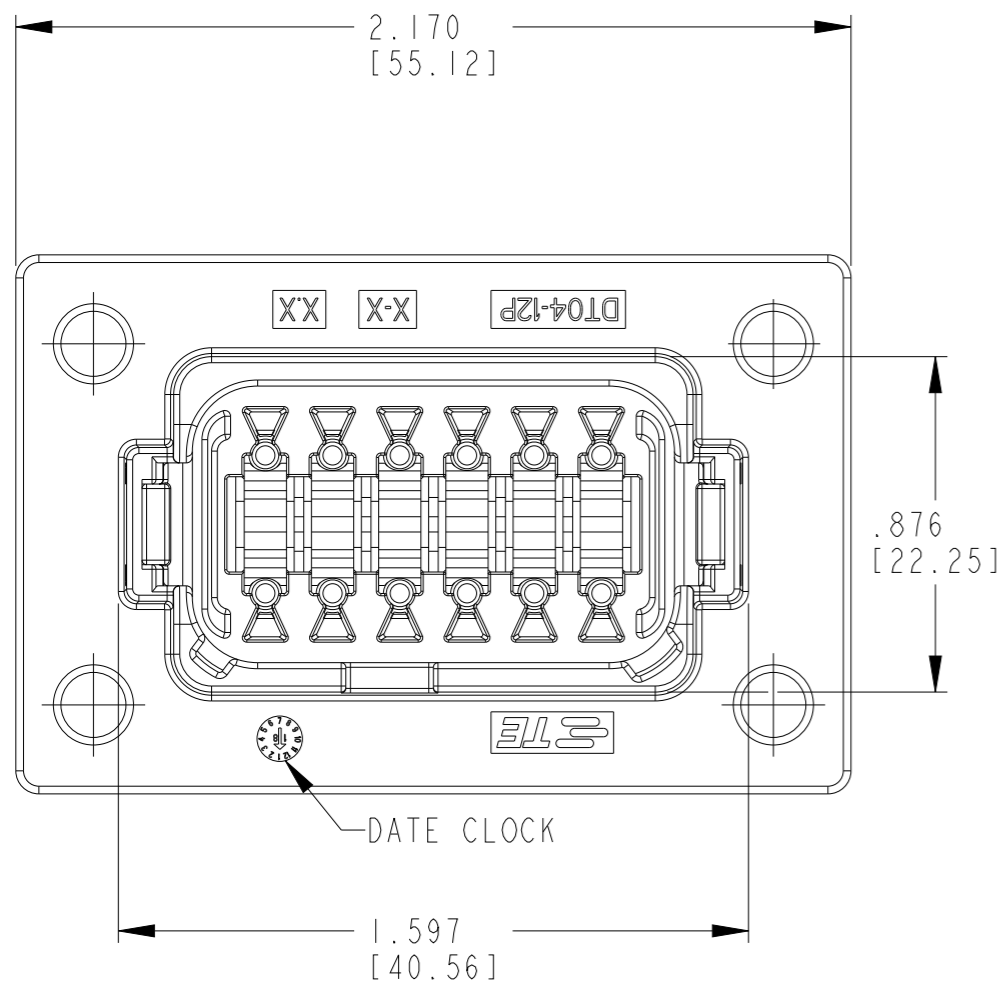


P	LTR	DESCRIPTION	DATE	DWN	APVD
NC		NEW RELEASE/REPLACES PREVIOUS	-	-	-
-		RELEASE PER E.O. P20101	15APR2009	-	RDR
A		REVISED PER E.O. P20438	18MAY2010	-	RDR
C		REVISED PER PCN E-20-009825	29JUN2020	PMV	IG



**3-DIMENSIONAL VIEW**

CONTACT SIZE	MIN. INSUL. O.D.	MAX. INSUL. O.D.	WIRE RANGE [mm <sup>2</sup> ]
16	.088 [2.24]	.145 [3.68]	14-20 AWG [2.0-0.5]

- 7. SECONDARY WEDGE LOCK SOLD SEPARATELY: W12P-XXXX. (XXXX = ALL MODIFICATIONS)
- 6. RECOMMENDED SCREW: 6-32 [M4]. RECOMMENDED TORQUE: 20-25 IN-LB [2.26-2.82 Nm].
- 5. MATERIAL - HOUSING: PA66 GF15 GROMMET: VMQ (ORANGE RED)
- 4. THIS RECEPTACLE MATES WITH DT06-12SX-XXXX PLUG. (X = KEY ARR. A,B,C,D; XXXX = ALL MODIFICATIONS) CONSULT FACTORY FOR MODIFICATIONS.
- 3. FOR CONTACT AND WIRE PERFORMANCE AND APPLICATION CHARACTERISTICS, SEE ENVELOPE DRAWING 0425-015-0000.

- 2. DELETED
- 1. DELETED

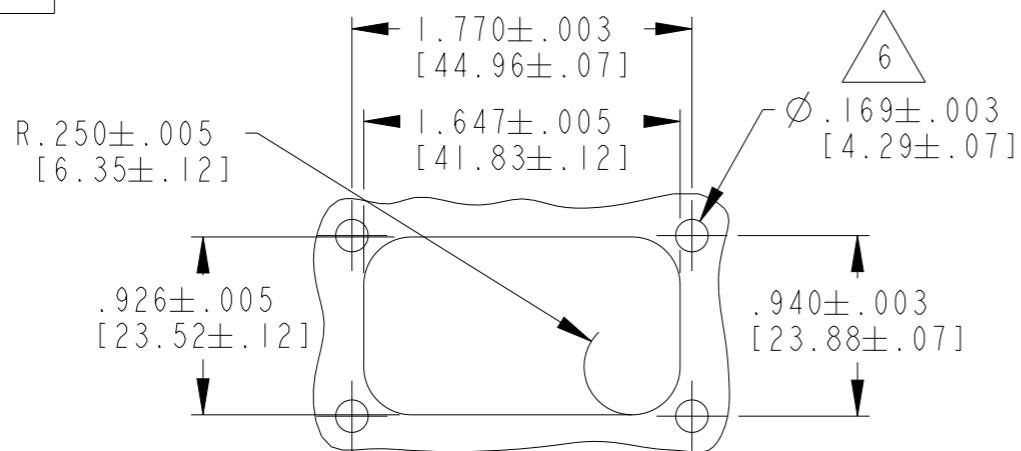
NOTES:

THIS DRAWING IS A CONTROLLED DOCUMENT.	
DIMENSIONS: INCHES [mm]	TOLERANCES UNLESS OTHERWISE SPECIFIED:
	0 PLC ±-
	1 PLC ±-
	2 PLC ±-
	3 PLC ±.025 [0.64]
	4 PLC ±-
	ANGLES ±0° 30' 0"
MATERIAL	FINISH
	-

DWN	01JUN2009
R. MESSENGER	
CHK	14MAY2010
R. MCCORD	
APVD	04MAY2010
S. BEARD	
PRODUCT SPEC	108-151009
APPLICATION SPEC	114-151009
WEIGHT	-
CUSTOMER DRAWING	

<b>STE</b> TE Connectivity			
NAME 12 WAY RECEPTACLE WITH ENHANCED KEY AND FLANGE DT SERIES			
SIZE	CAGE CODE	DRAWING NO	RESTRICTED TO
A3	00779	DT04-12PX-BL04	-
SCALE 2:1		SHEET 1 OF 2	REV C

P	LTR	DESCRIPTION	DATE	DWN	APVD
-	-	SEE SHEET 1	-	-	-



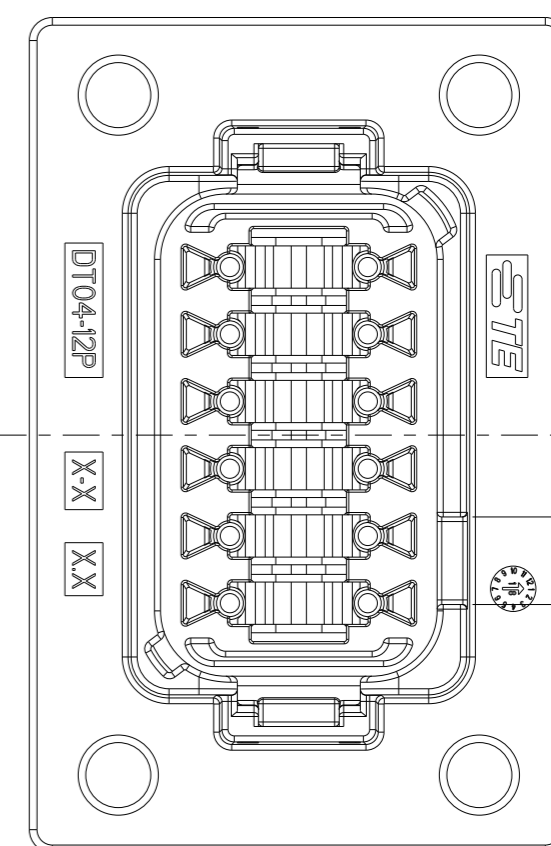
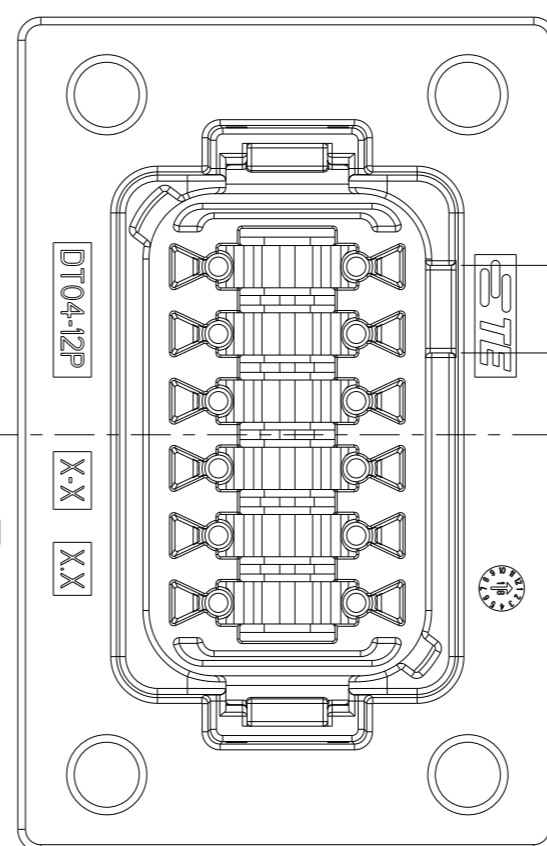
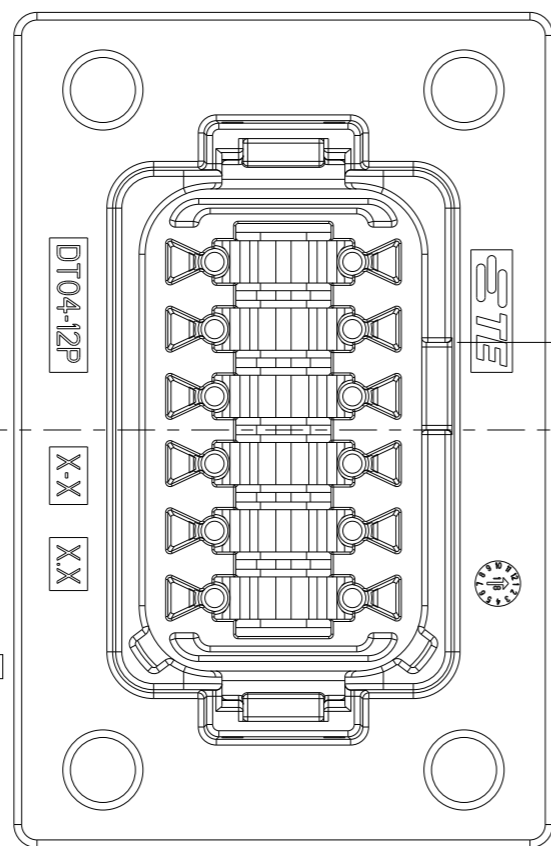
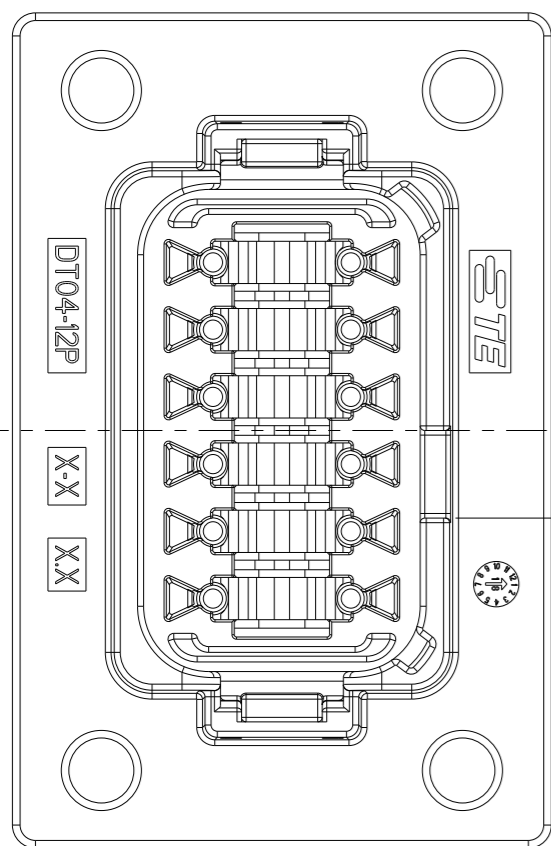
RECOMMENDED PANEL CUTOUT

DT04-12PA-BL04  
KEY -A-  
COLOR: GRAY

DT04-12PA-BL04  
KEY -B-  
COLOR: BLACK

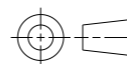
DT04-12PA-BL04  
KEY -C-  
COLOR: GREEN

DT04-12PA-BL04  
KEY -D-  
COLOR: BROWN



THIS DRAWING IS A CONTROLLED DOCUMENT.

DIMENSIONS:  
INCHES [mm]



TOLERANCES UNLESS  
OTHERWISE SPECIFIED:

- 0 PLC ±-
- 1 PLC ±-
- 2 PLC ±-
- 3 PLC ±.025 [0.64]
- 4 PLC ±-
- ANGLES ±° 30' 0"
- FINISH -

MATERIAL

DWN	R. MESSENGER	01 JUN 2009
CHK	R. MCCORD	14 MAY 2010
APVD	S. BEARD	04 MAY 2010
PRODUCT SPEC	108-151009	
APPLICATION SPEC	114-151009	
WEIGHT	-	
CUSTOMER DRAWING		



NAME  
12 WAY RECEPTACLE WITH ENHANCED  
KEY AND FLANGE DT SERIES

SIZE	CAGE CODE	DRAWING NO	RESTRICTED TO
A3	00779	DT04-12PX-BL04	-
SCALE	SHEET	OF	REV
1:1	2	2	C