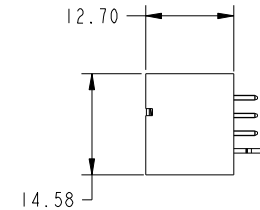
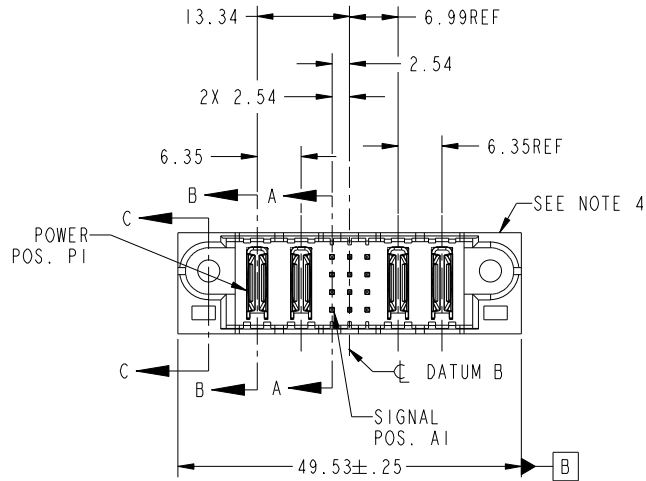


Tous droits strictement reserves. Reproduction ou communication a des tiers interdite sous quelque forme que ce soit sans autorisation écrite du propriétaire. Propriete de c FCI. Droits de reproduction FCI.



All rights strictly reserved. Reproduction or issue to third parties in any form whatever is not permitted without written authority from the proprietor. Property of FCI. Copyright FCI.

PRODUCT NO.	ROWS	POWER		SIG			POWER		E2	
		E1	P1	P2	1	2	3	P3		P4
51710-006... NOTE: 3	D C B A									



CODE	DIM "M" MATING LENGTH	CONTACT TYPE
E	[6.86]	SIGNAL
H	[5.59]	SIGNAL
PA	[N/A]	POWER
HA	[N/A]	HOLD-DOWN

mat'l code				SEE NOTE		tolerances unless otherwise specified		CUSTOMER		FCI	
ltr	ecn no.	dr	date	linear	0.X ±0.5	projection		COPY		www.fciconnect.com	
A	V03-1229	TAB	11/18/03		0.XX ±0.25	M M		title		2P + 12S + 2P	
B	DG06-0011	CS	01/09/06	angles	0.XXX ±0.10	1:1		product family		PwrBlade	
C	DG08-0273	JW	12/05/05	dr	0° +2°	scale		size		code	
				enr	T. BRUNGARD 11/18/03	A		dwg no		213	
				chr	M. GRAY 11/18/03			51710-006		sheet	
				appd	M. GRAY 11/18/03			1 of 4			
sheet index	revision sheet	C	C	C	C						
		1	2	3	4						

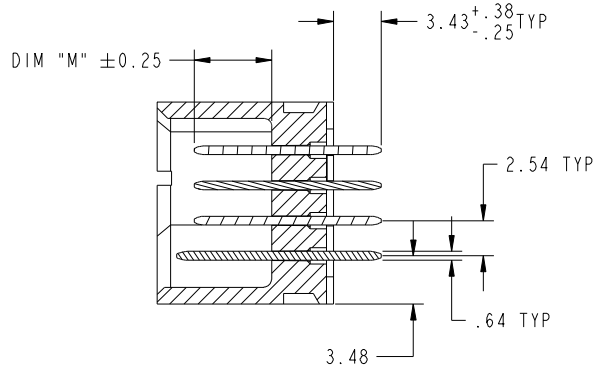
cage code 22526

Tous droits strictement reserves. Reproduction ou communication a des tiers interdite sous quelque forme que ce soit sans autorisation ecrite du proprietaire. Propriete de c FCI. Droits de reproduction FCI.

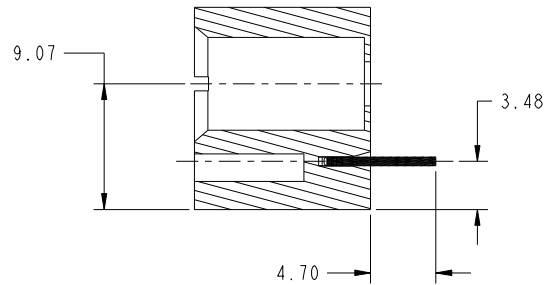
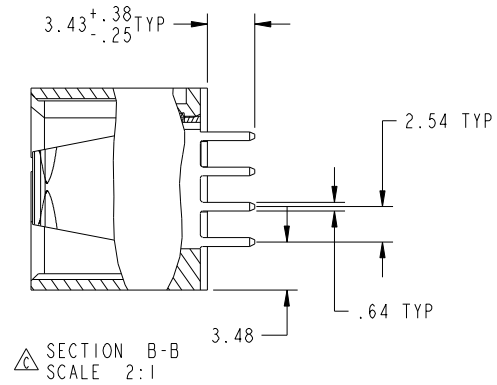


All rights strictly reserved. Reproduction or issue to third parties in any form whatever is not permitted without written authority from the proprietor. Property of FCI. Copyright FCI.

PRODUCT NUMBER
51710-006--
NOTE: 3



SECTION A-A
SCALE 2:1



SECTION C-C
SCALE 2:1

mat'l code		SEE NOTE		tolerances unless otherwise specified		CUSTOMER		www.fciconnect.com	
ltr	ecn no.	dr	date	linear	0.X ±0.5	COPY		title	
c					0.XX ±0.25	projection		2P + 12S + 2P VERTICAL SOLDER HEADER	
				angles	0.XXX ±0.10			product family PwrBlade code	
				dr	T. BRUNGARD 11/18/03	MIM		213	
				enr	M. GRAY 11/18/03			size dwg no	
				chr	M. GRAY 11/18/03	1:1		A 51710-006	
				appd	M. GRAY 11/18/03			sheet	
sheet index		revision sheet						2	

cage code 22526

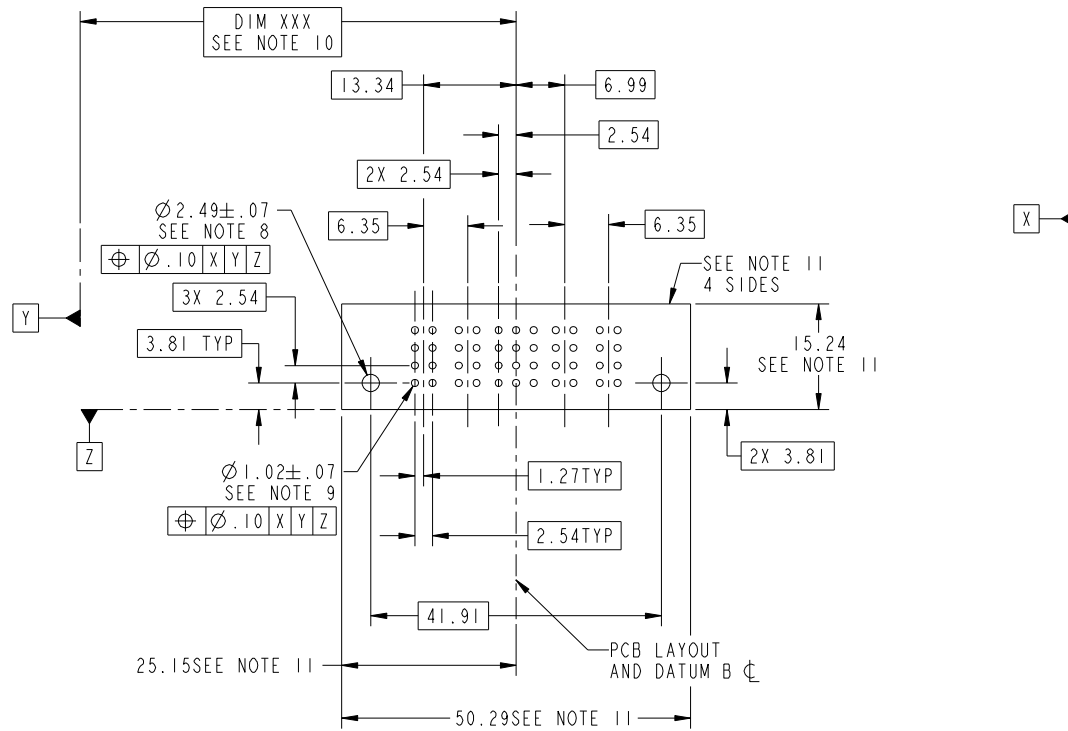
Pro/E

Tous droits strictement reserves. Reproduction ou communication a des tiers interdite sous quelque forme que ce soit sans autorisation écrite du propriétaire. Propriete de c FCI. Droits de reproduction FCI.



All rights strictly reserved. Reproduction or issue to third parties in any form whatever is not permitted without written authority from the proprietor. Property of FCI. Copyright FCI.

PRODUCT NUMBER
51710-006--
NOTE: 3



mat'l code		SEE NOTE		tolerances unless otherwise specified		CUSTOMER		www.fciconnect.com	
ltr	ecn no.	dr	date	linear	$0.X \pm 0.5$	COPY		title	
C					$0.XX \pm 0.25$	projection		2P + 12S + 2P VERTICAL SOLDER HEADER	
				angles	$0.XXX \pm 0.10$			product family PwrBlade code	
				dr	$0^{\circ} \pm 2^{\circ}$	MIM		213	
				enr	T. BRUNGARD 11/18/03			size	
				chr	M. GRAY 11/18/03	scale		dwg no	
				appd	M. GRAY 11/18/03	1:1		A 51710-006	
sheet index		revision sheet						sheet 3	

cage code 22526

Pro/E

Tous droits strictement reserves. Reproduction ou communication a des tiers interdite sous quelque forme que ce soit sans autorisation écrite du propriétaire. Propriete de c FCI. Droits de reproduction FCI.



All rights strictly reserved. Reproduction or issue to third parties in any form whatever is not permitted without written authority from the proprietor. Property of FCI. Copyright FCI.

PRODUCT NUMBER
51710-006--
NOTE: 3

NOTES:

1. DIMENSIONS AND TOLERANCES ARE IN ACCORDANCE WITH ASME Y14.5M, 1994 UNLESS OTHERWISE SPECIFIED.

CONNECTOR NOTES:

2 HOUSING MATERIAL: UL 94 V-0 GLASS FILLED
HIGH-TEMP THERMOPLASTIC
POWER CONTACT MATERIAL: COPPER ALLOY
SIGNAL PIN MATERIAL: COPPER ALLOY

3. PLATING:
SEE ITEM 1 & 2 IN PRINT 10064183 FOR PLATING SPEC OF 51710-006; 51710-006LF PRESPECTIVELY

4 MANUFACTURER'S NAME, P/N, AND DATE CODE TO APPEAR ON THIS SURFACE.

5. PRODUCT SPECIFICATION GS-12-149.
APPLICATION SPECIFICATION BUS-20-067.

6. PACKAGED IN TRAYS.

PCB NOTES:

7. ALL HOLE DIAMETERS ARE FINISHED HOLE SIZE.

8. MOUNTING HOLES, WHERE APPLICABLE, ARE UNPLATED.

9 $\varnothing 1.151 \pm 0.025$ DRILLED HOLES PLATED WITH
0.008 MIN SnPb OVER 0.03
TO 0.08 Cu PLATING TO ACHIEVE
 $\varnothing 1.02 \pm .07$ HOLE.

10 "DIM XXX" TO BE DETERMINED BY THE CUSTOMER.

11 CONNECTOR KEEP-OUT ZONE.

12. A Δ SYMBOL WILL BE NEXT TO ANY DIMENSION, VIEW, OR NOTE WHICH HAS BEEN MODIFIED WITH THE CURRENT DRAWING REVISION.

mat'l code		SEE NOTE		tolerances unless otherwise specified		CUSTOMER		www.fciconnect.com	
ltr	ecn no.	dr	date	linear	0.X ± 0.5		COPY		title 2P + 12S + 2P VERTICAL SOLDER HEADER
C					0.XX ± 0.25		projection		
					0.XXX ± 0.10				
				angles	0° + 2°		product family PwrBlade		code
				dr	T. BRUNGARD	11/18/03	size		213
				enr	M. GRAY	11/18/03	dwg no		sheet
				chr	M. GRAY	11/18/03	A 51710-006		4
				appd	M. GRAY	11/18/03	scale 1:1		
sheet index	revision sheet								

cage code 22526

Pro/E