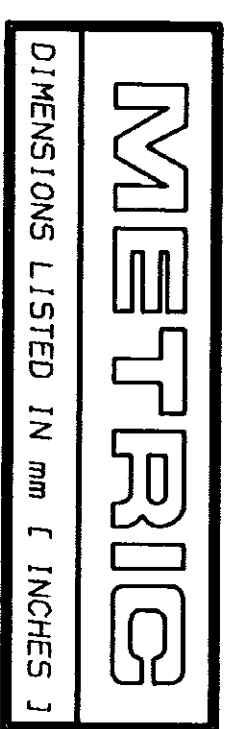
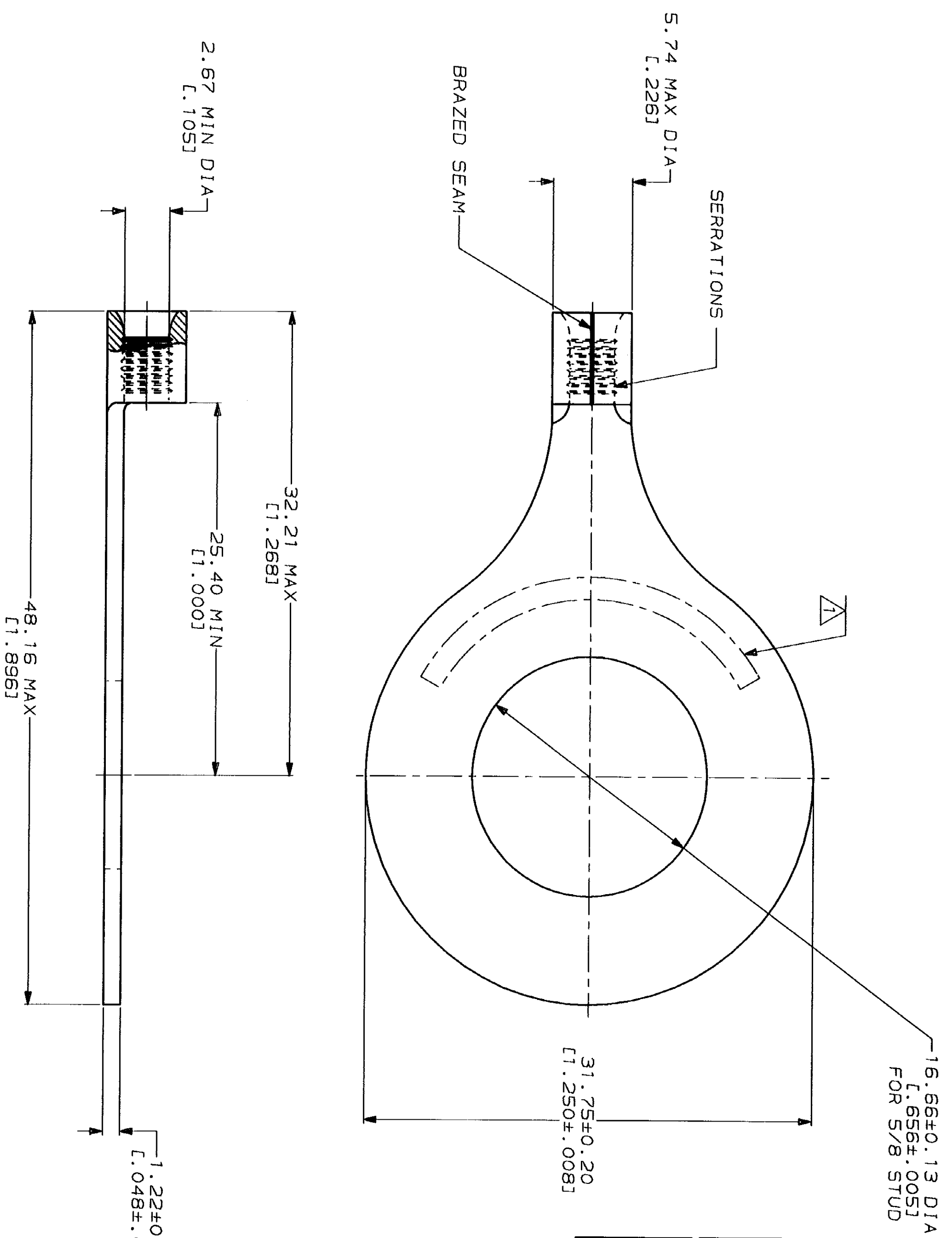


LOC	DIST	REV	DESCRIPTION	DATE	APPD
G	14	P	REV & REDRAWN PER 0720-0040-93	3-17-93	18 DAP



AMP WIRE RANGE	UL E13288 Listed
16-14HD AWG SOLID OR STRANDED	16-14HD AWG STRANDED
LR7189 Certified	MILITARY P/N AND CLASS
16-14HD AWG SOLID OR STRANDED	NOT APPLICABLE

△ STAMP AMP 16-14HD* APPROX AS SHOWN



AMP INCORPORATED CUSTOMER SERVICE SYSTEMS	
FOR ADDITIONAL PRODUCT INFORMATION OR COPIES OF DRAWINGS AND TECHNICAL DOCUMENTS	PRODUCT INFORMATION CENTER 1-800-522-6752
FOR APPLICATION TOOLING INFORMATION	TOOLING ASSISTANCE CENTER 1-800-722-1111
FOR ORDER ENTRY	1-800-526-5142
MAX RECOMMENDED OPERATING TEMPERATURE:	170°C MAX
VOLTAGE RATING:	NOT APPLICABLE
WIRE CROSS SECTIONAL AREA RANGE: SOLID OR STRANDED	1.04-2.62mm ² [2,050-5,180] CIR MILS

DO NOT SCALE PRINT. UNLESS SPECIFIED DIMENSIONS IN mm [INCHES] TOLERANCES ON: 2 PLG DEC ± 3 PLG DEC ± ANGLES	DR 3-17-93 TA BRINKMAN CHK 3-17-93 DA PATTERSON APPD 3-17-93 DE MILLER APPD 3-17-93 JL HECKLEY PRODUCT SPEC
MATERIAL COPPER PER ASTM B-152 ANNEALED	FINISH TIN PLATE 0.00254 [0.00100] MIN THK PER MIL-T-10727

AMP 1471-B REV 3-92	320758	PART NO
AMP AMP Incorporated Harrisburg, PA 17105-3608		
TERMINAL, RING TONGUE, HEAVY DUTY, SOLISTRAND™	SIZE CAGE CODE 00779	DRAWING NO G=320758
SCALE 4:1	SHEET 1 OF 1	