

Snipe Nose Side Cutting Pliers

Stork Beak Pliers, DIN ISO 5745

26

Elastic tips: stable even when twisted

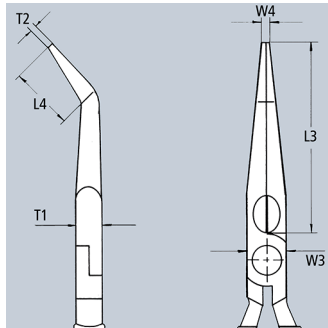
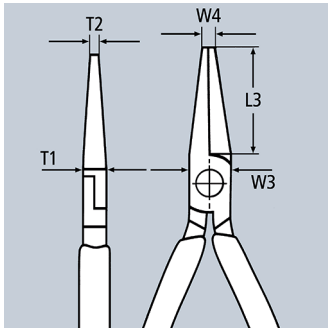
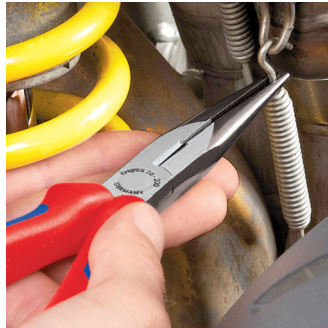
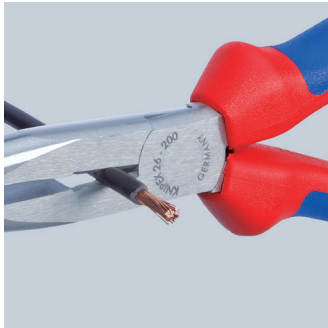
- > distortion-tolerant, flexible precision tips
- > half-round, long, pointed jaws
- > hardened cutting edges (approx. 61 HRC) for soft, medium hard and hard wire
- > vanadium steel; forged, multi-stage oil-hardened

26 11 200 S1

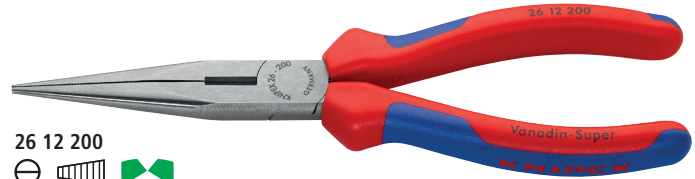
Integrated stripping hole in cutting blade. Strips 12 AWG wire

26 12 200 T BKA / 26 22 200 T BKA*

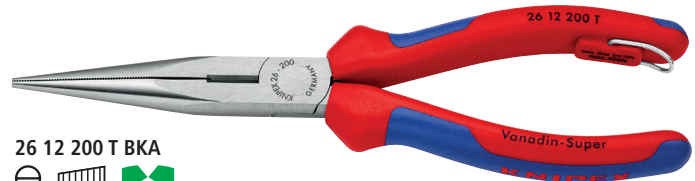
Pliers with integrated tether attachment point for tool drop protection system



26 11 200



26 12 200



26 12 200 T BKA



26 22 200



26 22 200 T BKA



Product Number	Packaging	↔ Inch mm	Icon	Pliers	Head	Handles	Cutting capacities		Dimensions							⚖ lbs
							Ø Inch Ø mm	Ø Inch Ø mm	L3 Inch mm	L4 Inch mm	T1 Inch mm	W3 Inch mm	W4 Inch mm	T2 Inch mm		
26 11 200	X	8 200		black atramentized	polished	plastic coated	1/8 3.2	3/32 2.2	2 7/8 73.0	-	3/8 9.5	45/64 18.0	1/8 3.0	3/32 2.5	0.38	
26 11 200 S1	X	8 200	⊖	black atramentized	polished	plastic coated	1/8 3.2	3/32 2.2	2 7/8 73.0	-	3/8 9.5	45/64 18.0	1/8 3.0	3/32 2.5	0.38	
26 12 200	X	8 200	⊖	black atramentized	polished	multi-component grips	1/8 3.2	3/32 2.2	2 7/8 73.0	-	3/8 9.5	45/64 18.0	1/8 3.0	3/32 2.5	0.44	
26 12 200 T BKA	X	8 200	⊖	black atramentized	polished	multi-component grips, integrated tether attachment point	1/8 3.2	3/32 2.2	2 7/8 73.0	-	3/8 9.5	45/64 18.0	1/8 3.0	3/32 2.5	0.45	
26 21 200	X	8 200	∠40° ⊖	black atramentized	polished	plastic coated	1/8 3.2	3/32 2.2	2 7/8 73.0	29/32 23.0	3/8 9.5	45/64 18.0	1/8 3.0	3/32 2.5	0.38	
26 22 200	X	8 200	∠40° ⊖	black atramentized	polished	multi-component grips	1/8 3.2	3/32 2.2	2 7/8 73.0	29/32 23.0	3/8 9.5	45/64 18.0	1/8 3.0	3/32 2.5	0.43	
26 22 200 T BKA	X	8 200	∠40° ⊖	black atramentized	polished	multi-component grips, integrated tether attachment point	1/8 3.2	3/32 2.2	2 7/8 73.0	29/32 23.0	3/8 9.5	45/64 18.0	1/8 3.0	3/32 2.5	0.45	