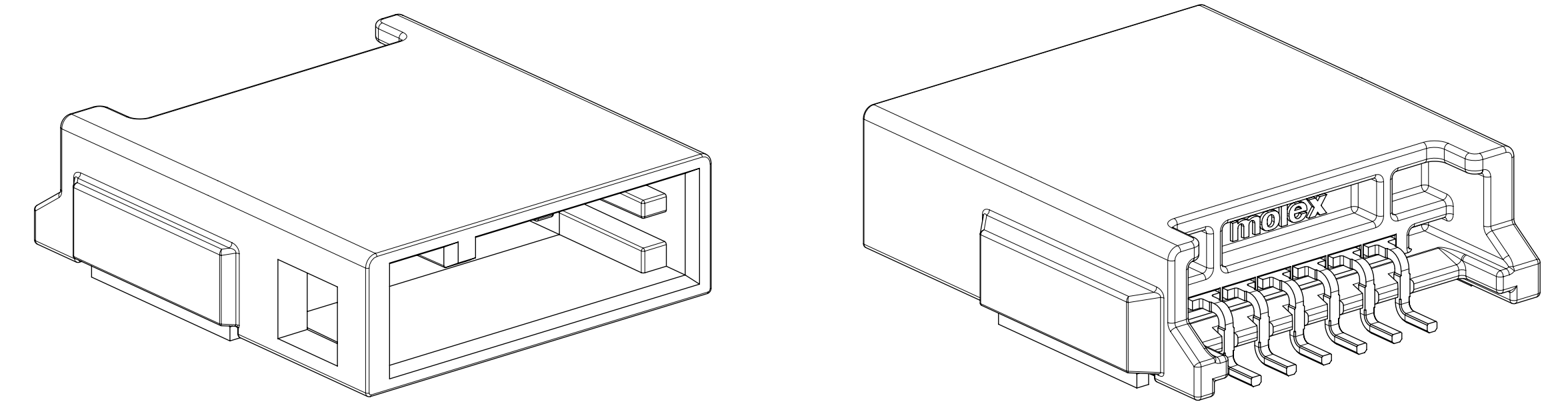


EXAMPLE:

PN 2080333041
 208033 - SERIES NUMBER: SINGLE ROW RIGHT ANGLE SMT HEADER - STD. PERF.
 3 - TYPE OF COMPONENT: V0 MATERIAL; FULLY POPULATED
 04 - 4 USABLE CIRCUITS
 1 - KEY A

FINAL PART: 4CKT SINGLE ROW RIGHT ANGLE V0 SMT HEADER - KEY A

CONNTAK50 SINGLE ROW RIGHT ANGLE SMT HEADERS (6CKT SHOWN)



NOTES:

VALID UNLESS OTHERWISE SPECIFIED

- GENERAL:
 - APPLICATION SPECIFICATION SEE: 2046310000-AS
 - PRODUCT SPECIFICATION SEE: 2046310000-PS
 - PACKAGING SPECIFICATION PER MOLEX DRAWING: 2080333021-PK
 - PACKAGING IS TAPE & REEL
 - COMPATIBLE WITH STANDARD AK INTERFACE C-114-94000-20 REV A1
 - CONFORMS TO MOLEX AK INTERFACE 2046310001 REV A
 - MOLEX AK INTERFACE IS PART OF PPAP
 - TRACEABILITY MARKED IN AREA SHOWN. MARK IS CODED AS FOLLOWS:
 - ROW 1 ("XXXXXXXX" OR "XXXXXXXX-X"):
 - "XXXXXXXX" IS MOLEX PART NUMBER ("-X" INDICATES ASSEMBLY LINE NUMBER IF APPLICABLE)
 - ROW 2 (HHDDYY Z)
 - 1ST & 2ND DIGITS (HH): HOUR OF ASSEMBLY (24 HOUR CLOCK) (EXAMPLE: 15:00 --> "15", 7:00 --> "07")
 - 3RD THRU 5TH DIGITS (DDD): JULIAN DATE (EXAMPLE: FEBRUARY 3RD --> "034")
 - 6TH & 7TH DIGITS (YY): LAST 2 DIGITS OF CALENDAR YEAR (EXAMPLE: 2013 --> "13")
 - 8TH DIGIT (Z): PERFORMANCE MARKING.
- DESIGN - MATERIALS:
 - SHROUD (PLASTIC HOUSING): PA9T-GF30%
 - BLADES:
 - STANDARD PERFORMANCE BLADES
 - BASE MATERIAL: C26000 BRASS
 - UNDERPLATING (CONTACT REGION): NICKEL 1.0 - 1.8 μm
 - OVERPLATING (CONTACT REGION): MATTE TIN: 1.0 - 3.0 μm
- DESIGN - GEOMETRY:
 - GEOMETRIC DIMENSIONS AND TOLERANCES PER ASME Y14.5M-2009

	SERIES NUMBERS (AAAAAA)	TYPE OF COMPONENT (B)	USABLE CIRCUITS (CC)	KEY (D)
MATING COMPONENT	205827 - SR TANG RECEPTACLE	2 - STD MATL; FULLY POPULATED 3 - V0 MATL; FULLY POPULATED	02 - 2 Circuits	1 - KEY A
ON DRAWING	208037 - SR CLEAN BODY RECEPTACLE		...	2 - KEY B
	208033 - SR RIGHT ANGLE SMT HEADER - STANDARD PERF.		...	3 - KEY C
OTHER	208035 - SR VERTICAL SMT HEADER - STANDARD PERF.		11 - 11 Circuits	4 - KEY D

INTERFACE	INTERFACE CKT SIZE	DIM A	DIM B	DIM C	DIM D	DIM E	DIM F	KEY	COLOR	PART NUMBER	TOOLING STATUS
	2	11.95	10.45	4.95	0.375	5.60	0.375	A	BLACK	2080333021	AVAILABLE
								B	NATURAL	2080333022	
								C	BLUE	2080333023	
								D	VIOLET	2080333024	
	3	13.75	12.25	5.85	1.275	6.50	1.275	A	BLACK	2080333031	AVAILABLE
								B	NATURAL	2080333032	
								C	BLUE	2080333033	
								D	VIOLET	2080333034	
	4	15.55	14.05	6.75	2.175	7.40	2.175	A	BLACK	2080333041	AVAILABLE
								B	NATURAL	2080333042	
								C	BLUE	2080333043	
								D	VIOLET	2080333044	
	5	17.35	15.85	7.65	3.075	8.30	3.075	A	BLACK	2080333051	AVAILABLE
								B	NATURAL	2080333052	
								C	BLUE	2080333053	
								D	VIOLET	2080333054	
	6	19.15	17.65	8.55	3.975	9.20	3.975	A	BLACK	2080333061	AVAILABLE
								B	NATURAL	2080333062	
								C	BLUE	2080333063	
								D	VIOLET	2080333064	
	7	20.95	19.45	9.45	4.875	10.10	4.875	A	BLACK	2080333071	INQUIRE FOR AVAILABILITY
								B	NATURAL	2080333072	
								C	BLUE	2080333073	
								D	VIOLET	2080333074	
	8	22.75	21.25	10.35	5.775	11.00	5.775	A	BLACK	2080333081	INQUIRE FOR AVAILABILITY
								B	NATURAL	2080333082	
								C	BLUE	2080333083	
								D	VIOLET	2080333084	
	9	24.55	23.05	11.25	6.675	11.90	6.675	A	BLACK	2080333091	INQUIRE FOR AVAILABILITY
								B	NATURAL	2080333092	
								C	BLUE	2080333093	
								D	VIOLET	2080333094	
	10	26.35	24.85	12.15	7.575	12.80	7.575	A	BLACK	2080333101	INQUIRE FOR AVAILABILITY
								B	NATURAL	2080333102	
								C	BLUE	2080333103	
								D	VIOLET	2080333104	
	11	28.15	26.65	13.05	8.475	13.70	8.475	A	BLACK	2080333111	INQUIRE FOR AVAILABILITY
								B	NATURAL	2080333112	
								C	BLUE	2080333113	
								D	VIOLET	2080333114	

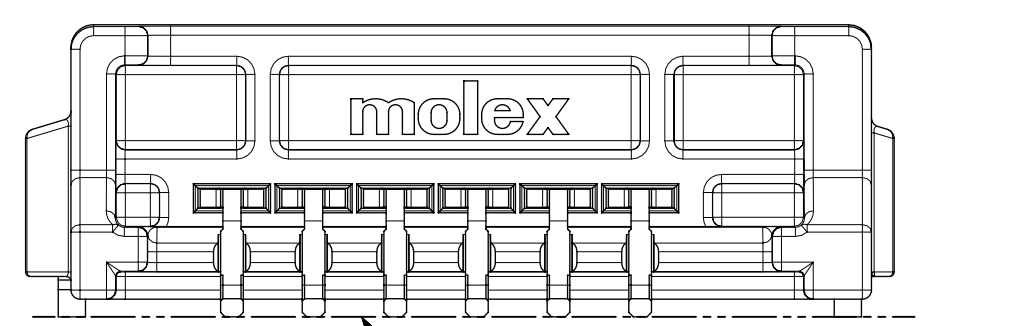
STANDARD PERF.
RIGHT ANGLE
V0 SMT HEADER

PERFORMANCE
MARK: S

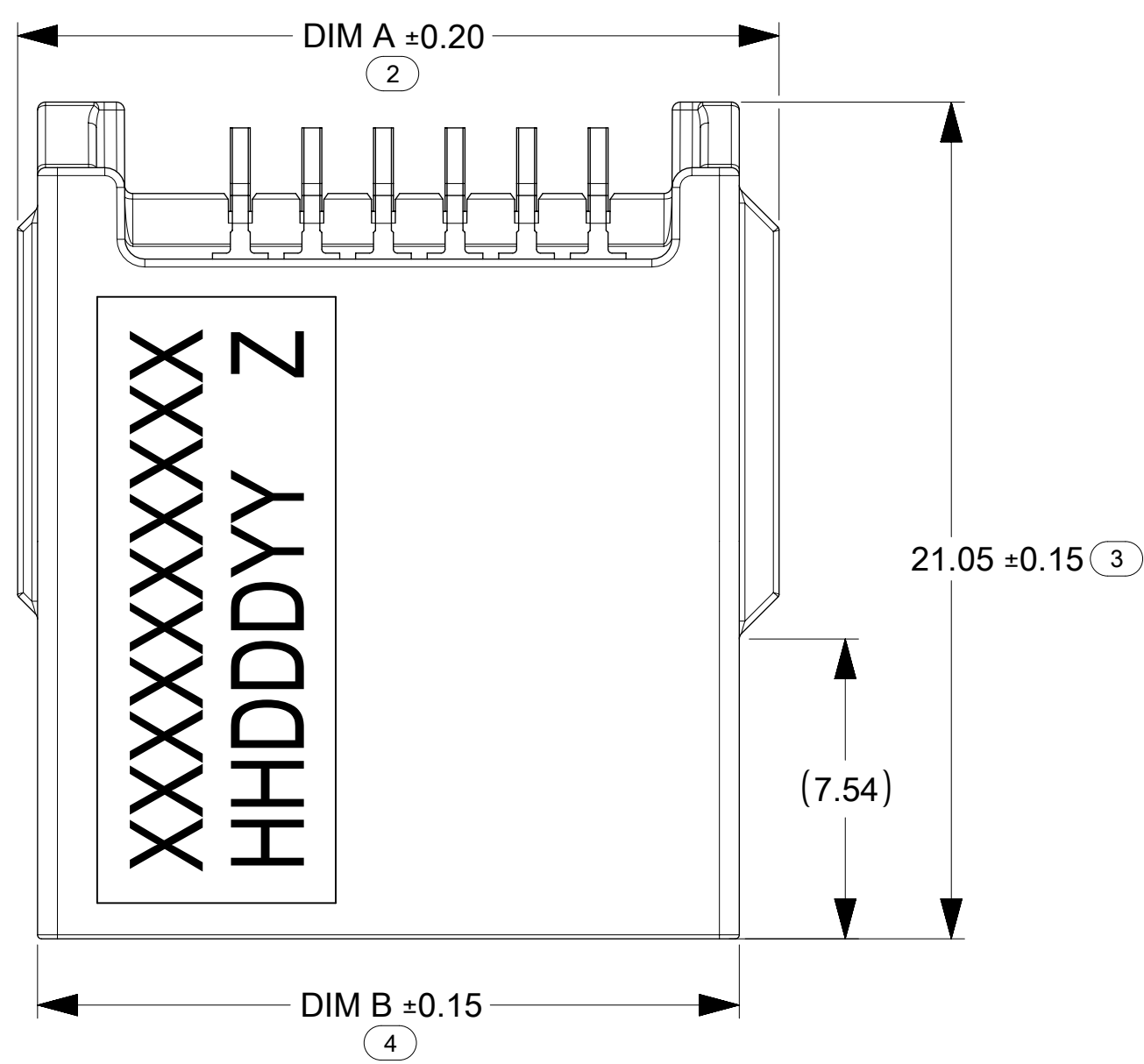
INSPECTION BALLOON LOG		B4	UPDATED: POL B COLOR FROM GREY TO NATURAL IN BOM
PER DRAWING REVISION: B4		B3	NO CHANGE TO SALES DRAWING, CHANGED ENGINEERING AND ASSEMBLY DRAWINGS
LAST BALLOON USED: 13		B2	UPDATED TOLERANCE ON DIM 6 FROM 0.05 TO 0.20MM
ADDED BALLOON NUMBERS: 10, 11, 12, 13		B1	UPDATED SR CLEAN BODY SERIES NUMBER SHOWN IN TABLE, CORRECTED DIM D
REMOVED BALLOON NUMBERS: 7, 8		B	REMOVED DATUMS D, E, & F; ADDED DATUM G; UPDATED PCB LAYOUT; REMOVED DIM 7, 8; ADDED DIMS 10, 11, 12, 13; REMOVED HIGH PERFORMANCE PART NUMBERS; UPDATED STANDARD PERFORMANCE PLATING
THIS DRAWING CONTAINS INFORMATION THAT IS PROPRIETARY TO MOLEX ELECTRONIC TECHNOLOGIES, LLC AND SHOULD NOT BE USED WITHOUT WRITTEN PERMISSION		A3	UPDATED DIMS 7 & 8 FROM 0.20 TO 0.25MM; UPDATED DIM E; ADDED DIM 9
DIMENSION UNITS: mm		A2	UPDATED VARIABLE DIMENSION TABLE; ORDER OF VARIABLE DIMENSIONS HAS CHANGED; DIM G IS CREATED.
SCALE: 5:1		A1	LATCH WALL MODIFICATION; DATUM D & DATUM E CHANGE; TRACEABILITY MARKINGS ADDED
CURRENT REV DESC:		REV	DESCRIPTION
GENERAL TOLERANCES (UNLESS SPECIFIED)		CONNTAK50 SR R/A SMT SALES DRAWING (SINGLE ROW RIGHT ANGLE SMT HEADER)	
ANGULAR TOL ± °		PRODUCT CUSTOMER DRAWING	
4 PLACES ±		DOCUMENT NUMBER: 2080330003	
3 PLACES ±		DOC TYPE: PSD	
2 PLACES ±		DOC PART: 000	
1 PLACE ±		REVISION: B4	
0 PLACES ±		SHEET NUMBER: 1 OF 2	
DRAFT WHERE APPLICABLE MUST REMAIN WITHIN DIMENSIONS		MATERIAL NUMBER: SEE TABLE	
THIRD ANGLE PROJECTION		CUSTOMER: GENERAL MARKET	
D-SIZE		SERIES: 208033	

6CKT KEY A (2080333061) SHOWN EXCEPT WHERE NOTED

REFER TO 2046310001 FOR INTERFACE DIMENSIONS

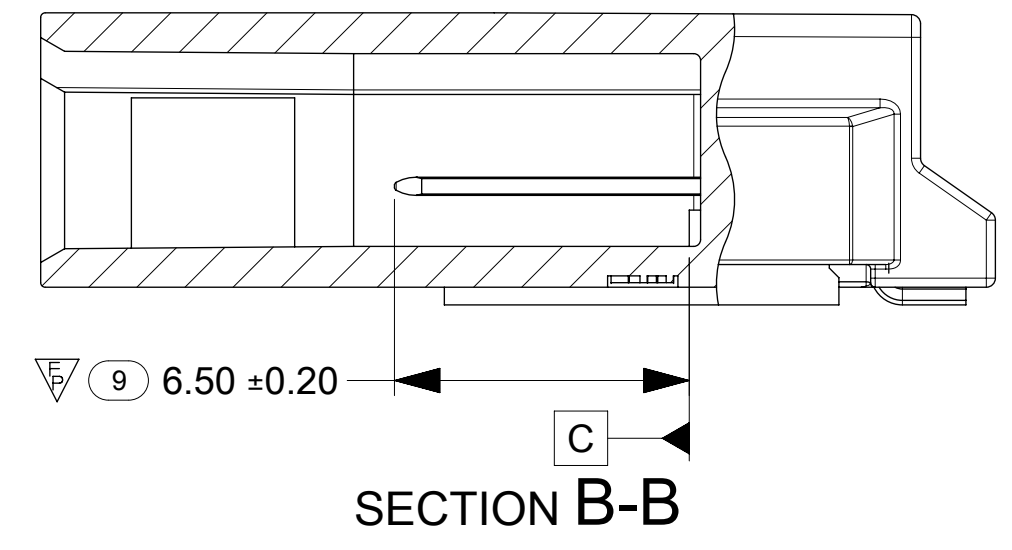
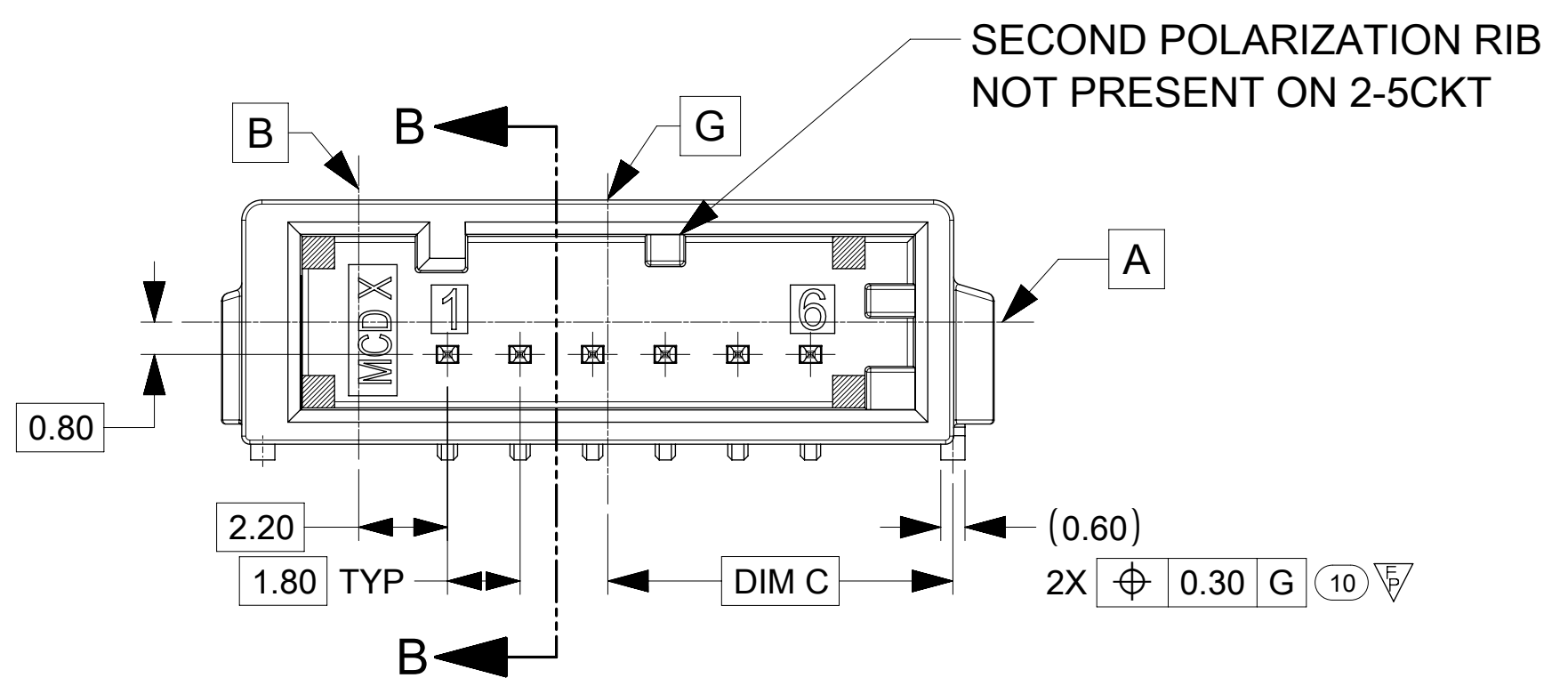
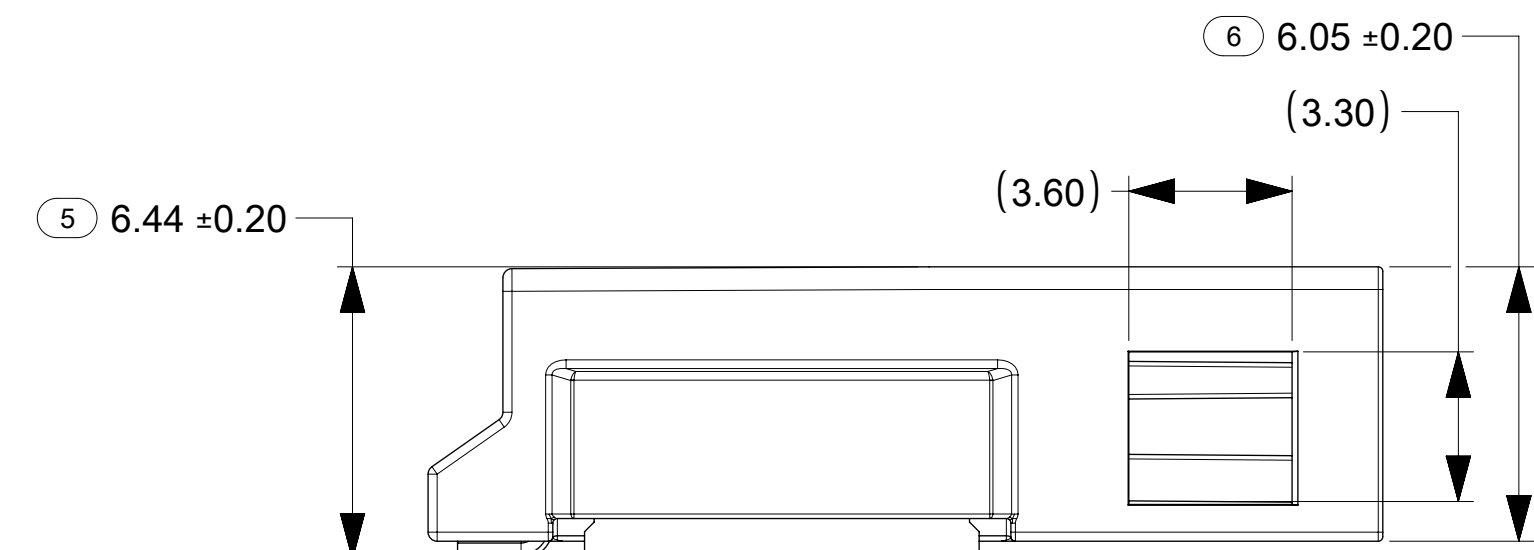
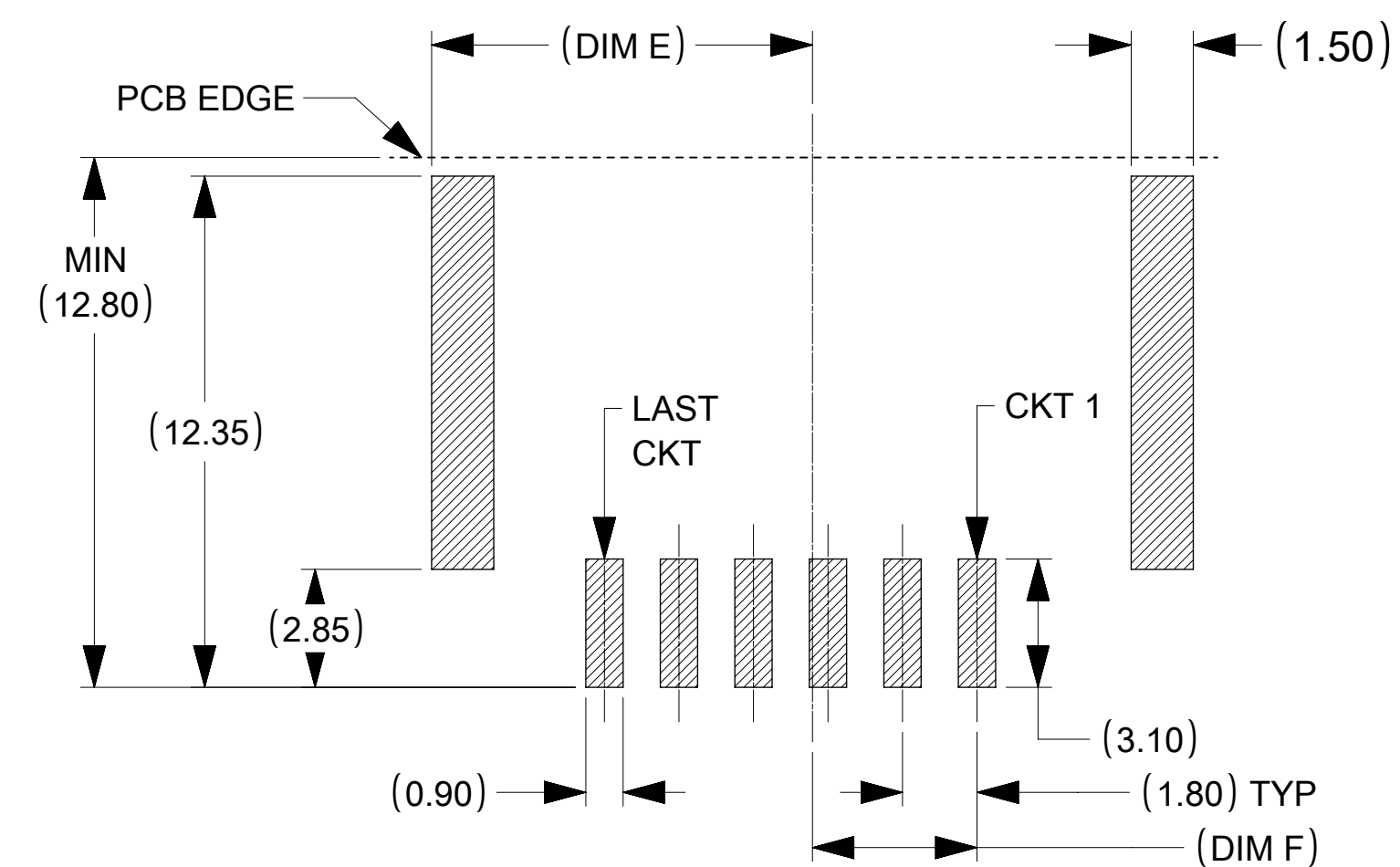


0.10 TO ALL CONTACT SURFACES

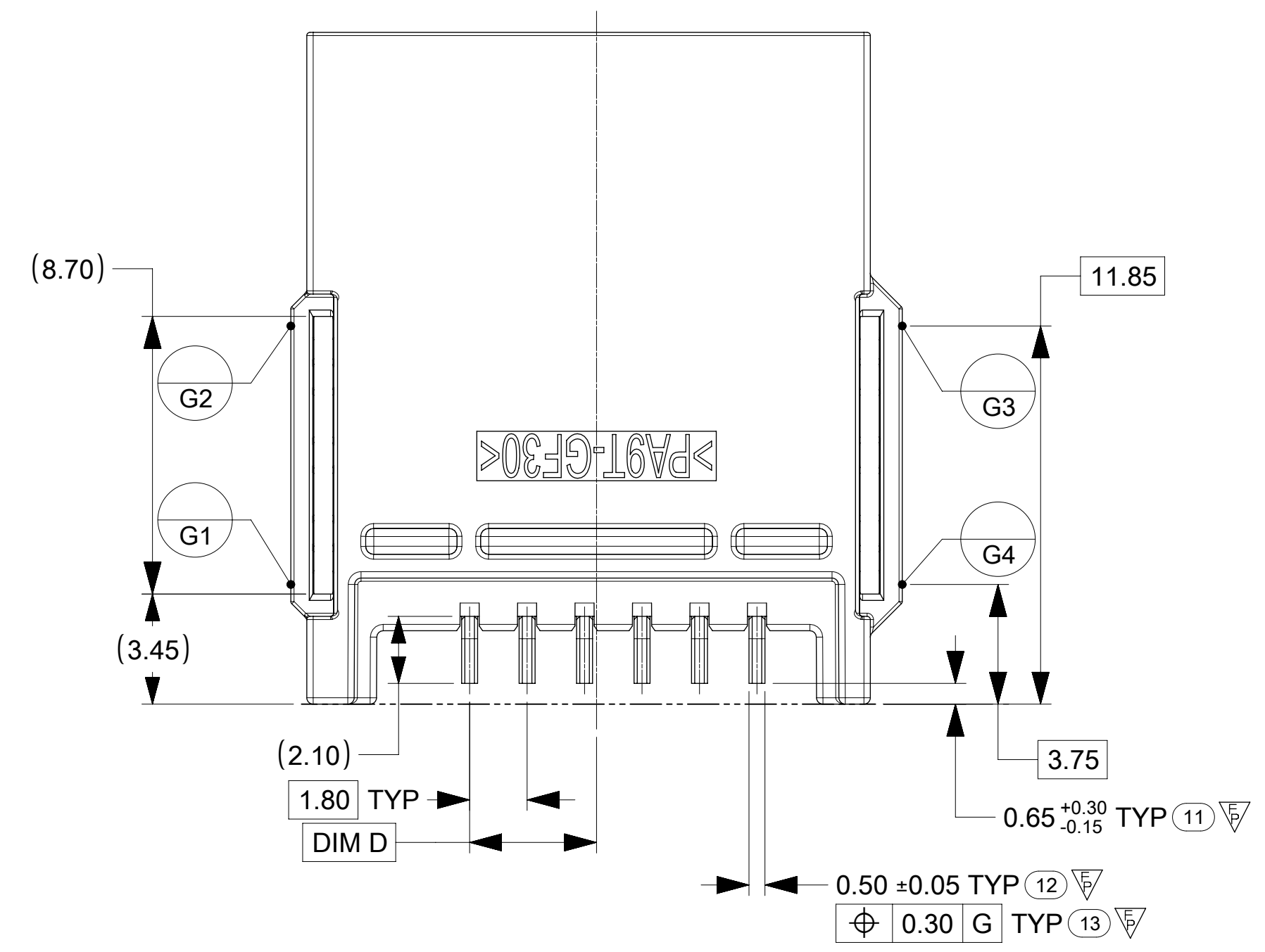
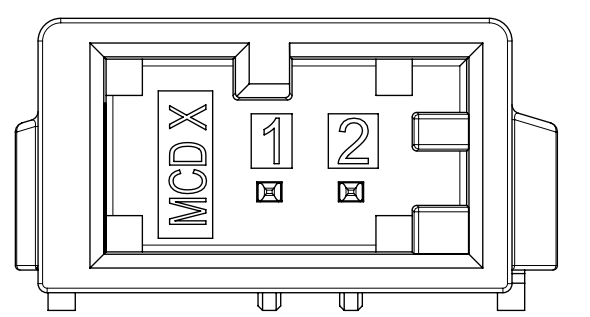


POSSIBLE PCB LAYOUT

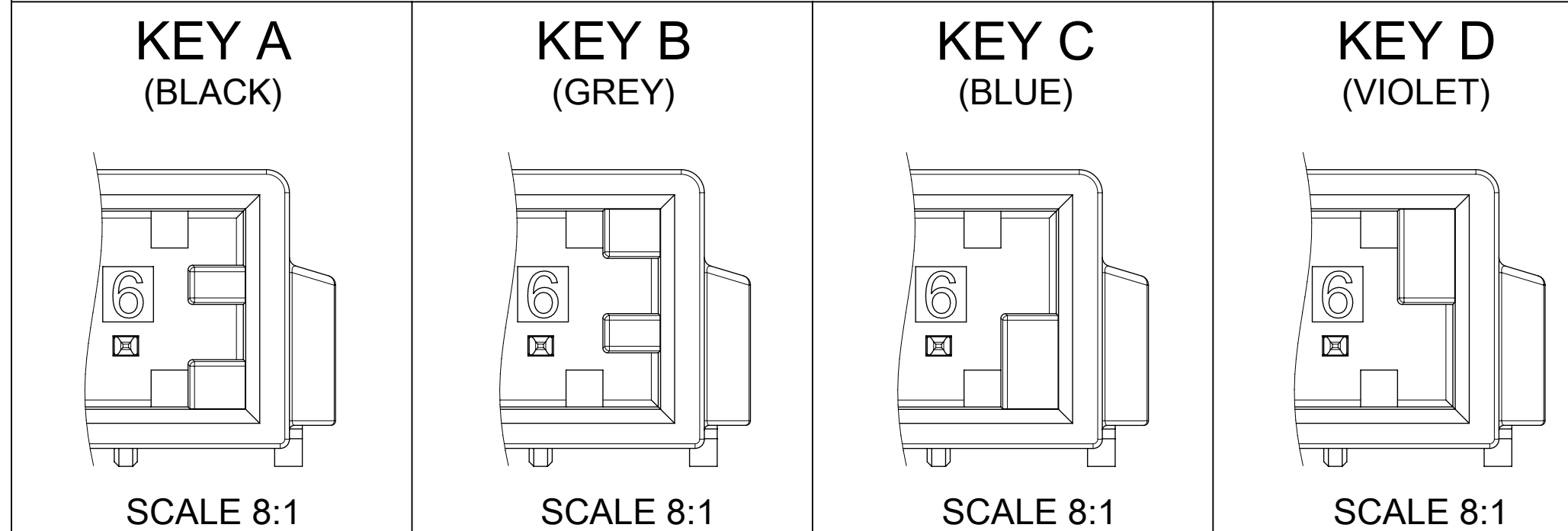
LAND PATTERN SHOWN AT MMC



2CKT SHOWN FOR REFERENCE



KEYING OPTIONS



THIS DRAWING CONTAINS INFORMATION THAT IS PROPRIETARY TO MOLEX ELECTRONIC TECHNOLOGIES, LLC AND SHOULD NOT BE USED WITHOUT WRITTEN PERMISSION

DIMENSION UNITS	SCALE	CURRENT REV DESC:	
mm	6:1		
GENERAL TOLERANCES (UNLESS SPECIFIED)			
ANGULAR TOL	±	°	
4 PLACES	±		
3 PLACES	±		
2 PLACES	±		
1 PLACE	±		
0 PLACES	±		
DRAFT WHERE APPLICABLE MUST REMAIN WITHIN DIMENSIONS		THIRD ANGLE PROJECTION	DRAWING SERIES
			D-SIZE 208033
		EC NO: 675538	2021/08/19
		DRWN: KHEWITT	2021/08/23
		CHK'D: VBALASUBRAMA	2021/08/26
		APPR: JDUNAJ	2021/08/26
		INITIAL REVISION:	
		DRWN: ECOLARUSSO	2018/11/05
		APPR: JDUNAJ	2018/12/20
		PRODUCT CUSTOMER DRAWING	
		DOCUMENT NUMBER	DOC TYPE DOC PART REVISION
		2080330003	PSD 000 B4
		MATERIAL NUMBER	CUSTOMER SHEET NUMBER
		SEE TABLE	GENERAL MARKET 2 OF 2