

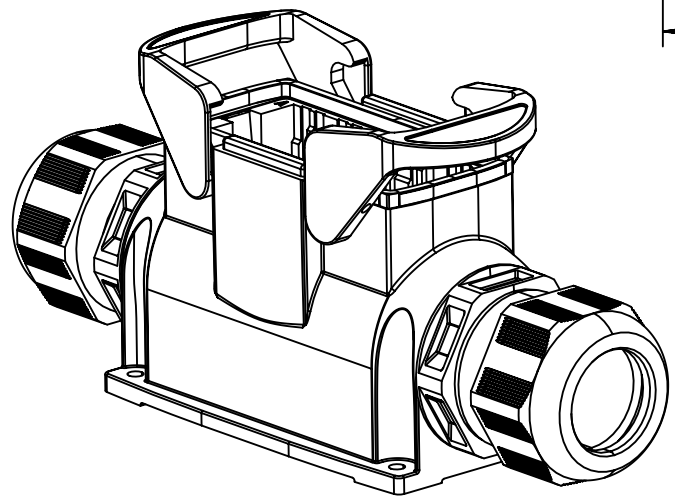
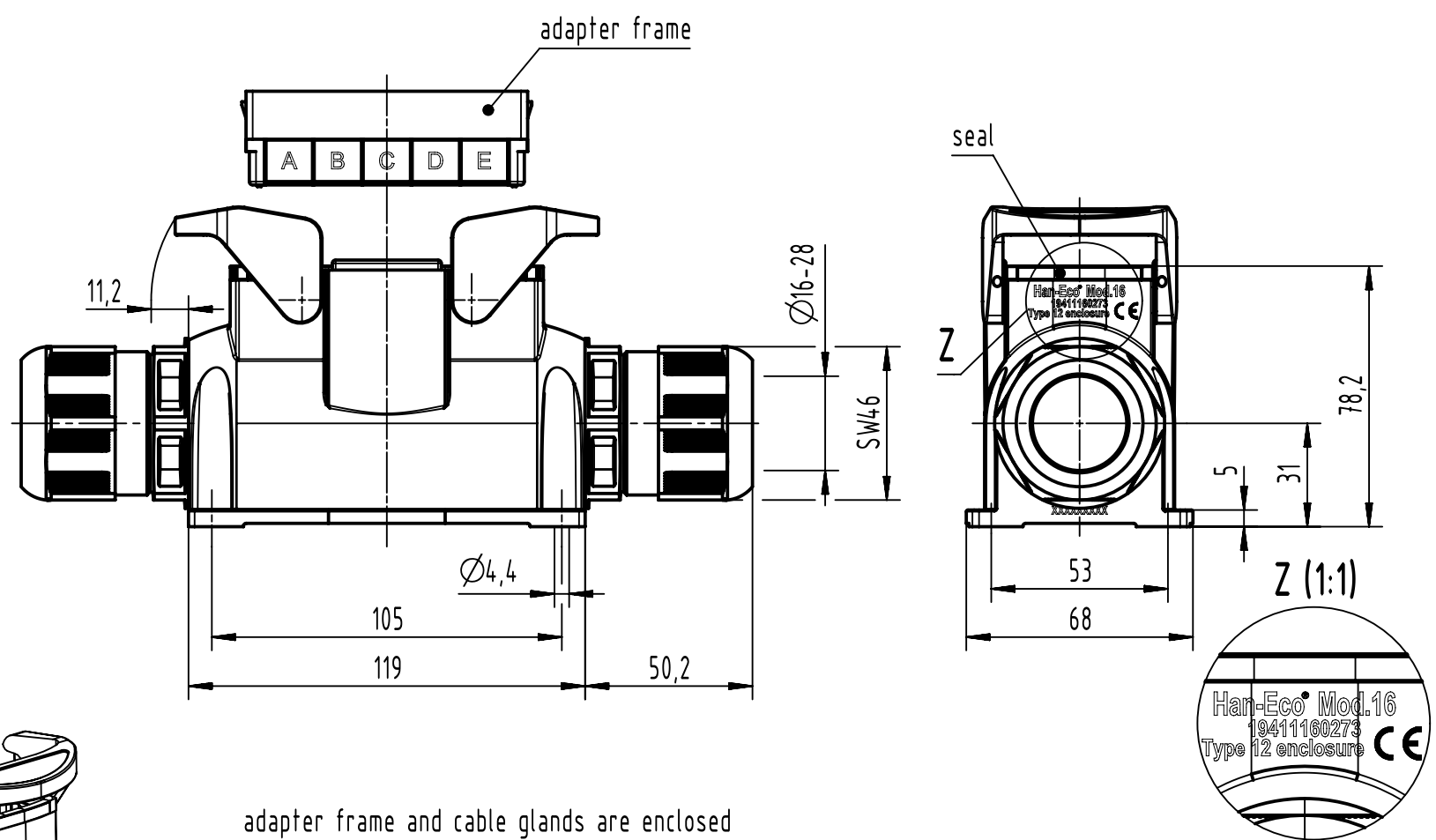
1 2 3 4 5 6

A

B

C

D



adapter frame and cable glands are enclosed

	All Dimensions in mm Original Size DIN A4		Scale 1:2	Free size tol.		Ref.		
						Sub.		
	All rights reserved		Created by BALSAN	Inspected by 402602	Standardisation 302077	Date 2021-02-23	State Final Release	
	Department EL PD		Title Han-Eco Mod.16-HSM2-M40-glanded				Doc-Key / ECM-Nr. 100222560/UGD/004/F 500000189867	
HARTING D-32339 Espelkamp			Type TB	Number 19 41 116 0273			Rev. F	Page 1/1