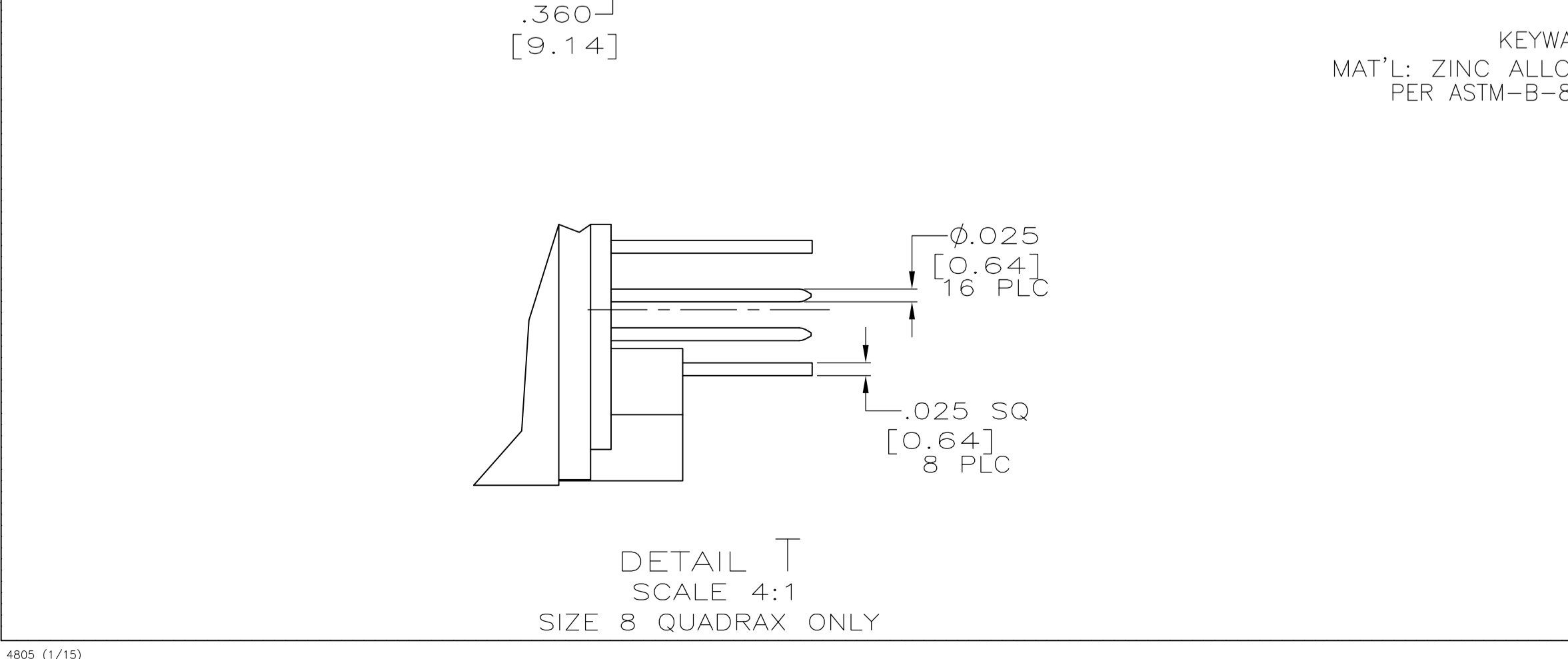
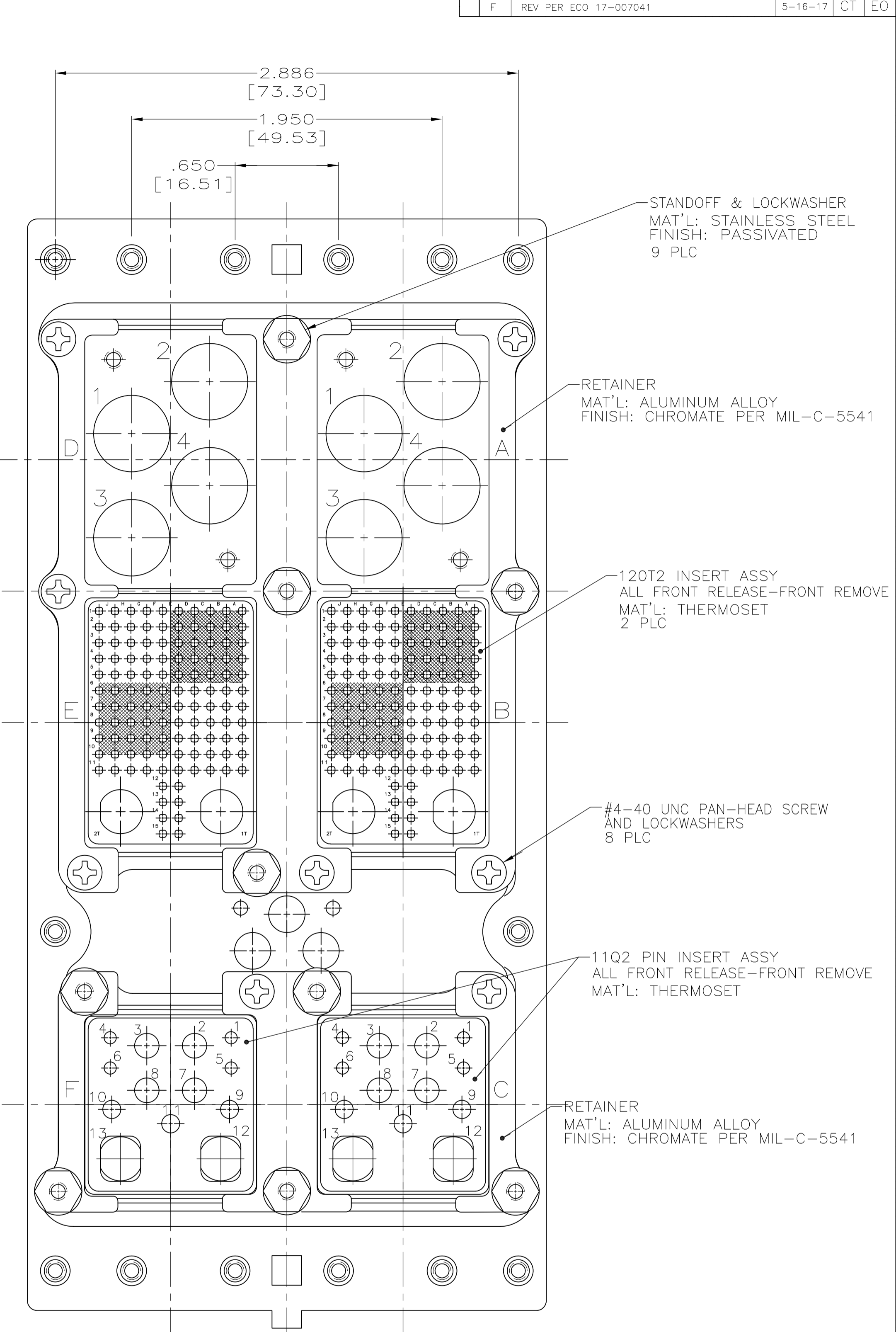
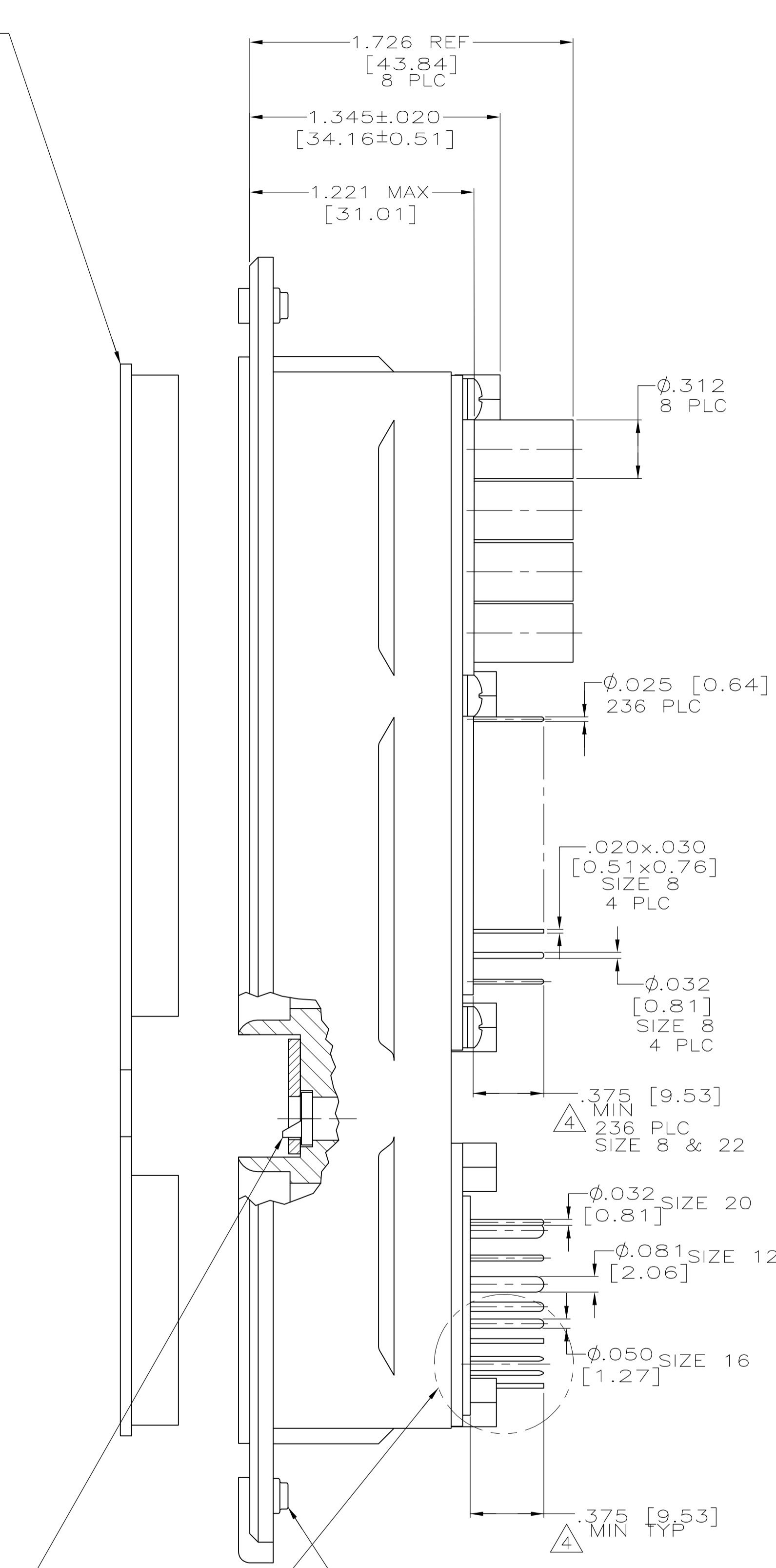
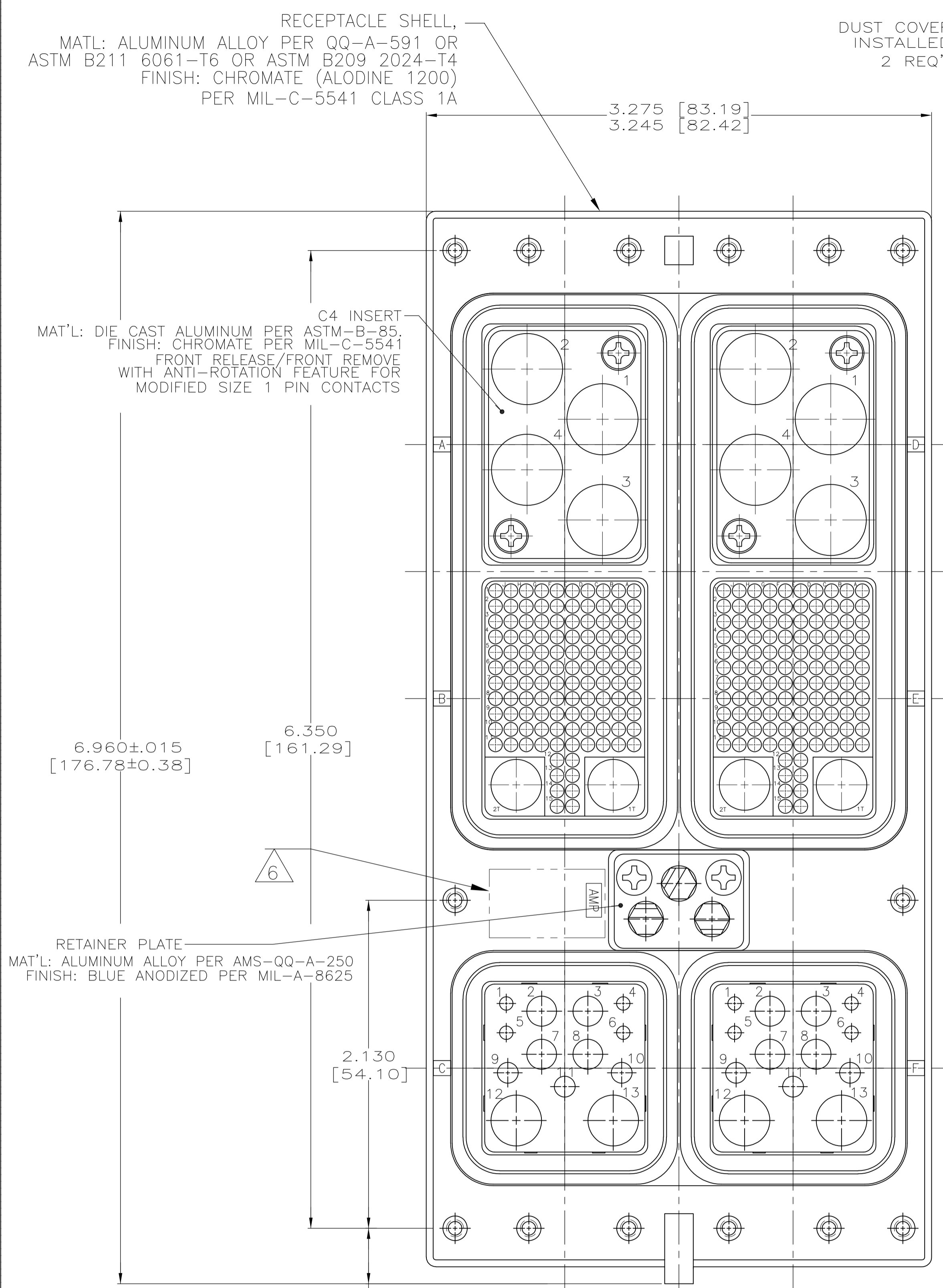


REVISIONS				
P	LTR	DESCRIPTION	DATE	BY
F	REV PER ECO	17-007041	5-16-17	CT EO



- CONNECTOR DIMENSIONS ARE PER ARINC 600 SPECIFICATION.
- CONNECTOR IS SUPPLIED WITH CONTACTS (PER TABLE) ASSEMBLED AS SHOWN.
- KEYING SHOWN IN POSITION "163" FOR ILLUSTRATION ONLY. CONTACTS SHIPPED WITH KEYING INSTALLED IN POSITION PER TABLE. FOR POSITION "00" KEYING HARDWARE SHIPPED UNASSEMBLED.
- WITH CONTACT FULLY SEATED IN CAVITY.
- CONTACTS NOT SHOWN IN FRONT & REAR VIEWS FOR CLARITY.
- TE LOGO APPEARS IN THIS APPROXIMATE LOCATION ON MACHINED FROM BILLET SHELLS.
- ASSEMBLY SHOWN WITH DIE CAST SHELL. ASSEMBLIES WITH MACHINED SHELLS MAY VARY SLIGHTLY IN APPEARANCE.

KEYING POSITION	CONTACTS INCLUDED AND INSTALLED	PART NUMBER
163	MODULE A & D 1218713-1 (SIZE 1/OSP, QTY=8) MODULE B & E 211431-6 (SIZE 22, QTY=236) 448540-3 (SIZE 8, QTY=4) MODULE C & F 448140-6 (SIZE 12 POSTED, QTY=8) 2-448138-6 (SIZE 20 POSTED, QTY=8) 448139-6 (SIZE 16 POSTED, QTY=6) 1445626-2 (SIZE 8 QUADRIX POSTED, QTY=4)	1663415-1

THIS DRAWING IS A CONTROLLED DOCUMENT.		DIN C.C.THOMAS 5-6-03	TE Connectivity				
DIMENSIONS: INCHES		CHK S.GLATFELTER 5-6-03					
TOLERANCES UNLESS OTHERWISE SPECIFIED: 0 PLC ± - 1 PLC ± - 2 PLC ± - 3 PLC ± .010 [0.25] 4 PLC ± - ANGLES ± -		APVD S.GLATFELTER 5-6-03	NAME RECEPTACLE ASSEMBLY, SIZE 3, ARINC 600 WITH QUADRIX INSERTS				
MATERIAL SEE CALLOUTS		FINISH SEE CALLOUTS	WEIGHT 0.000000	SIZE A1	CAGE CODE 00779	DRAWING NO. 1663415	RESTRICTED TO
CUSTOMER DRAWING			SCALE 2:1	SHEET 1 OF 1	REV F		