



Revision Level			Revision Record	Changed	Date	Approved	Date
Drawing	State	Part					
00.0	Design Release	-	SEE ECN# 013521	CRB	09/27/16	EJH	09/27/16

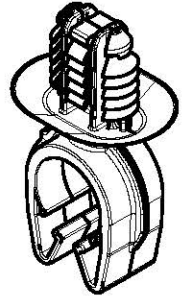
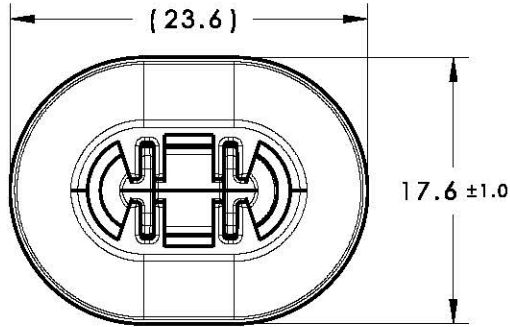
REFERENCE:

PERFORMANCE REQUIREMENTS AT DRY AS MOLDED:

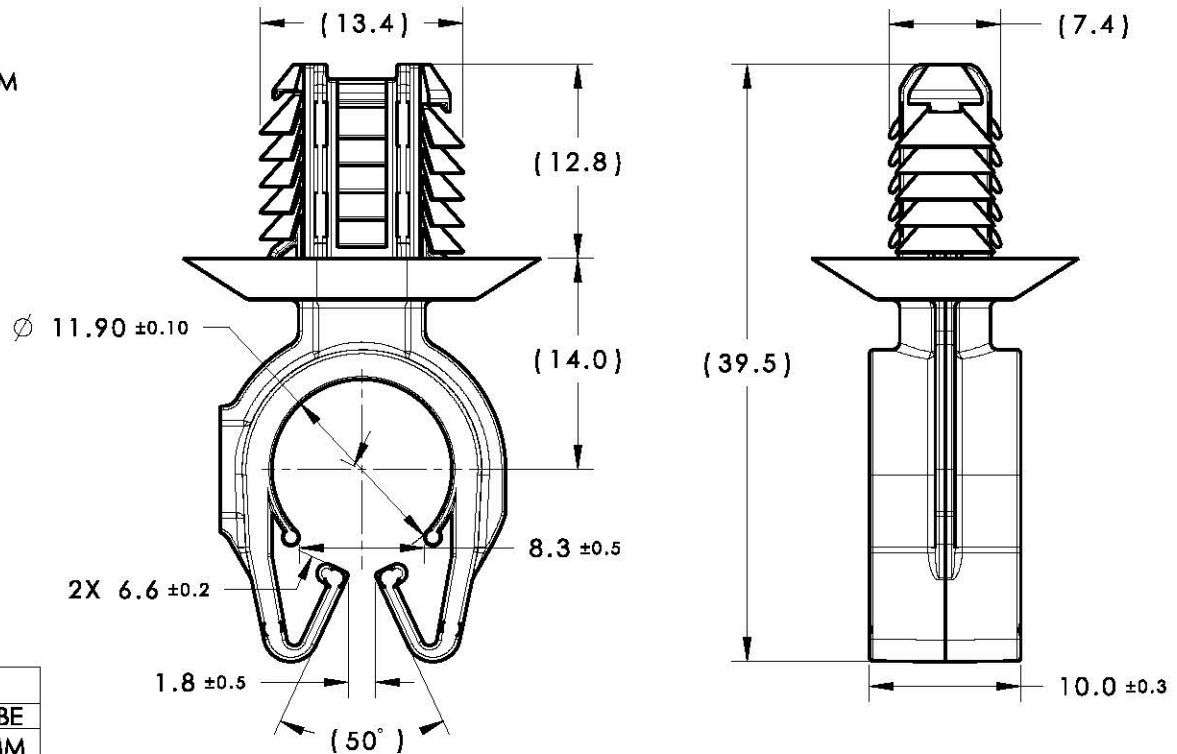
1. FIR TREE PUSH IN FORCE: 45 NEWTONS (10 LBS) MAX IN EACH APPLICABLE OVAL HOLE SIZE AND A PLATE THICKNESS OF 1.8mm.
2. FIR TREE PULL OUT FORCE: 110 NEWTONS (25 LBS) MIN IN EACH APPLICABLE OVAL HOLE SIZE AND A PLATE THICKNESS OF 1.8mm.
3. SHEET METAL THICKNESS RANGE: 0.60mm - 6.75mm
4. APPLICABLE OVAL HOLE SIZES:
 - A. 6.2 X 12.2mm
 - B. 6.5 X 12.5mm
 - C. 6.5 X 13.0mm

NOTES:

1. MAXIMUM PERCENT REGRIND PERMISSIBLE: TBD%
2. MAX ALLOWABLE FLASH OR MISMATCH TO BE: 0.5MM WHERE NOTED TO BE 0.5mm.



ISOMETRIC VIEW
SCALE 1:1



DIAMETER RANGE		
HARNESS	HOSE	HARD PIPE/TUBE
11.5MM-13.0MM	10.5MM-13.0MM	12.0MM-13.8MM

Material
PA66 - BLACK
PA4/6 - GREY
PPS - SILVER
COLOR: SEE MATERIAL

Units millimeters
Tolerance defined on each dimension

The copyright of this drawing is reserved by HellermannTyton. It is issued on condition that it is not reproduced, copied or disclosed to a third party, either wholly or in part, without the consent of HellermannTyton.

Drawn CRB 08/04/16
Approved EJH 09/27/16
HellermannTyton
North America
Email: corp@htamericas.com
Web: www.hellermann.tyton.com

Article/Type-No MOC12FTOVAL
Title 12MM (1/2") MODULAR OMEGA CLIP WITH 6.5 X 12.5MM OVAL FIR TREE
Drawing-No PROTOTYPE : Phase
16-0319-010-CSU

Scale 2:1
Project Number 16-0319
Format AH
Sheet 1/1