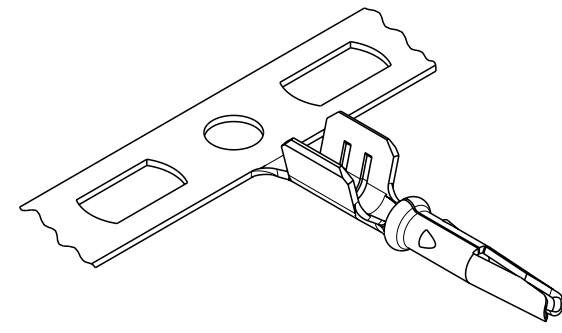
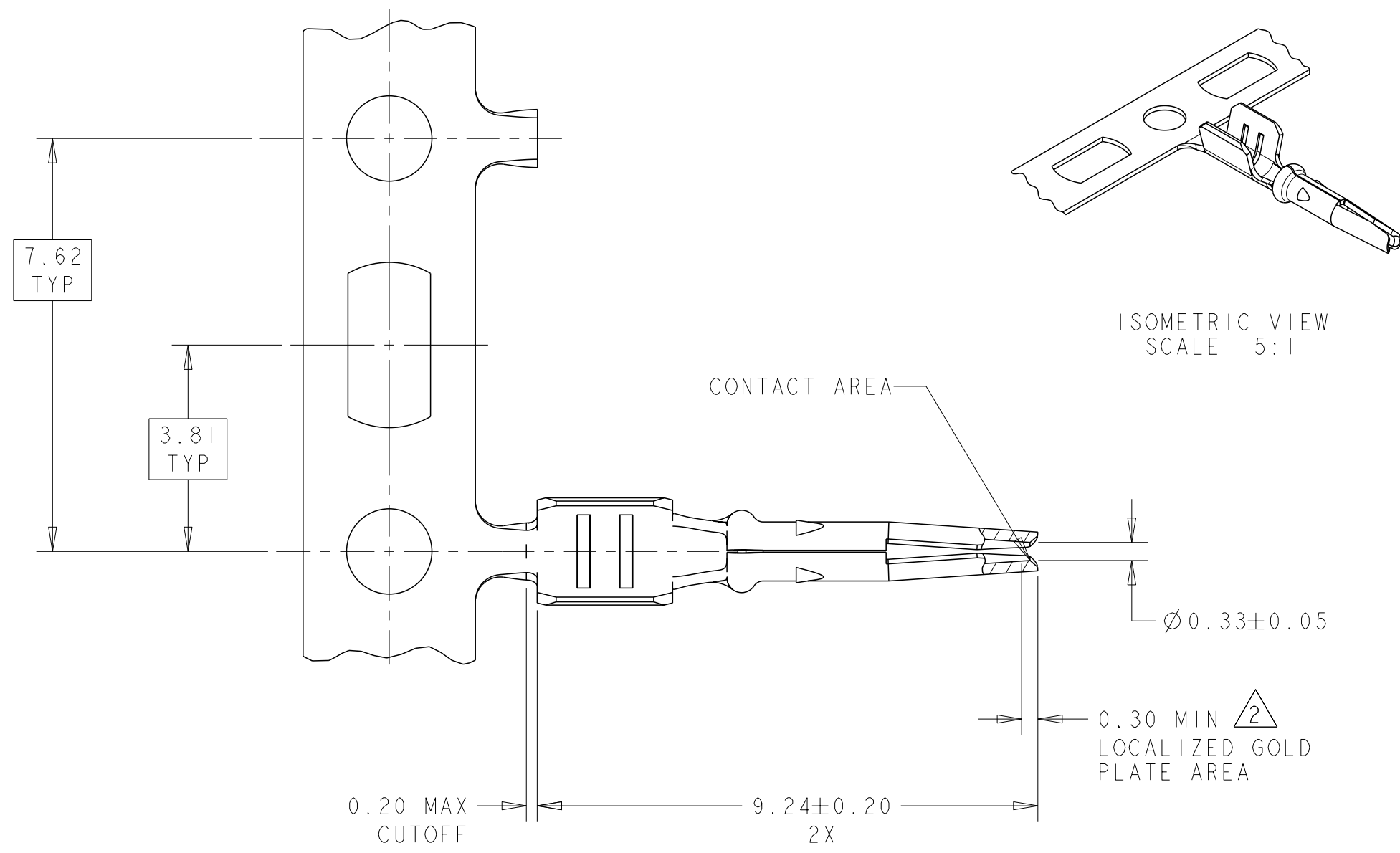
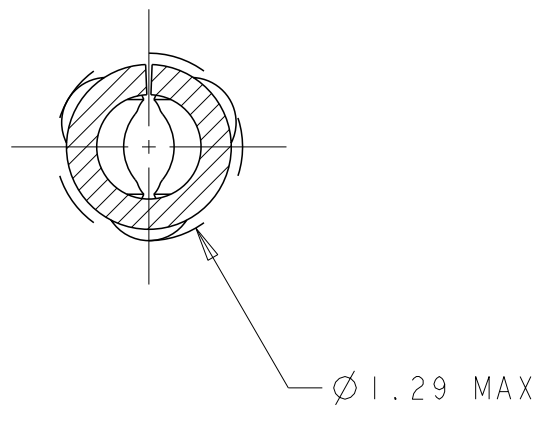
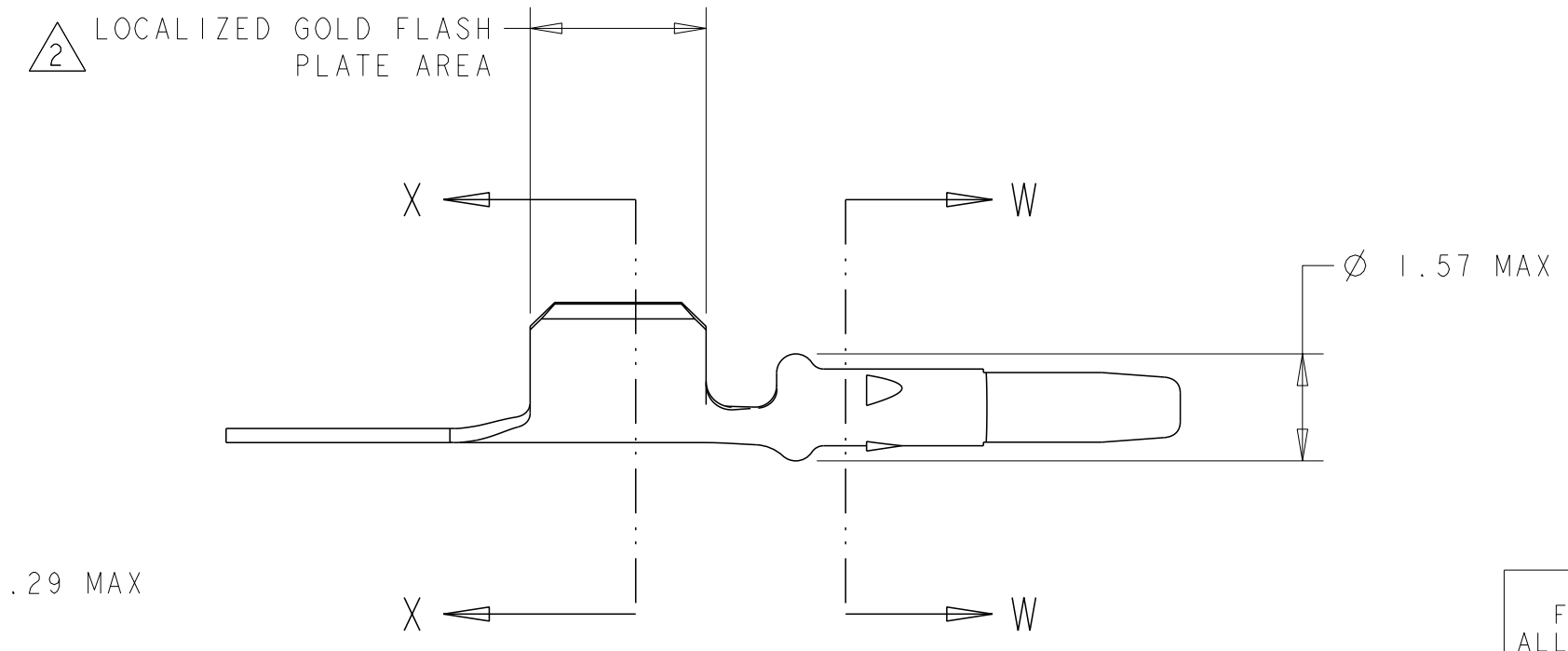
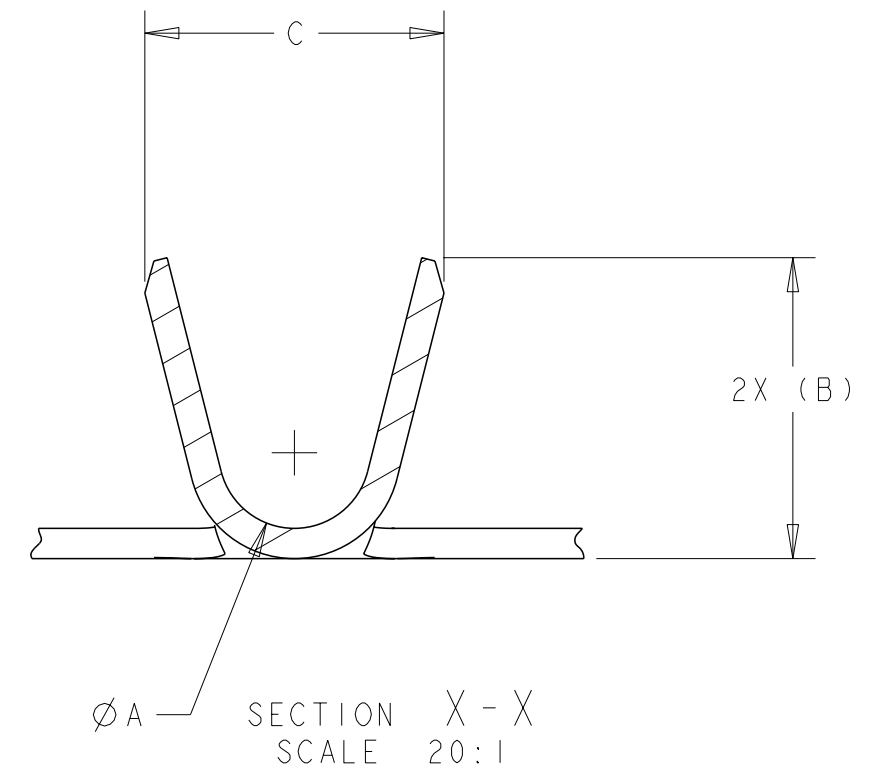


THIS DRAWING IS UNPUBLISHED. RELEASED FOR PUBLICATION 20
 © COPYRIGHT 20 BY - ALL RIGHTS RESERVED.

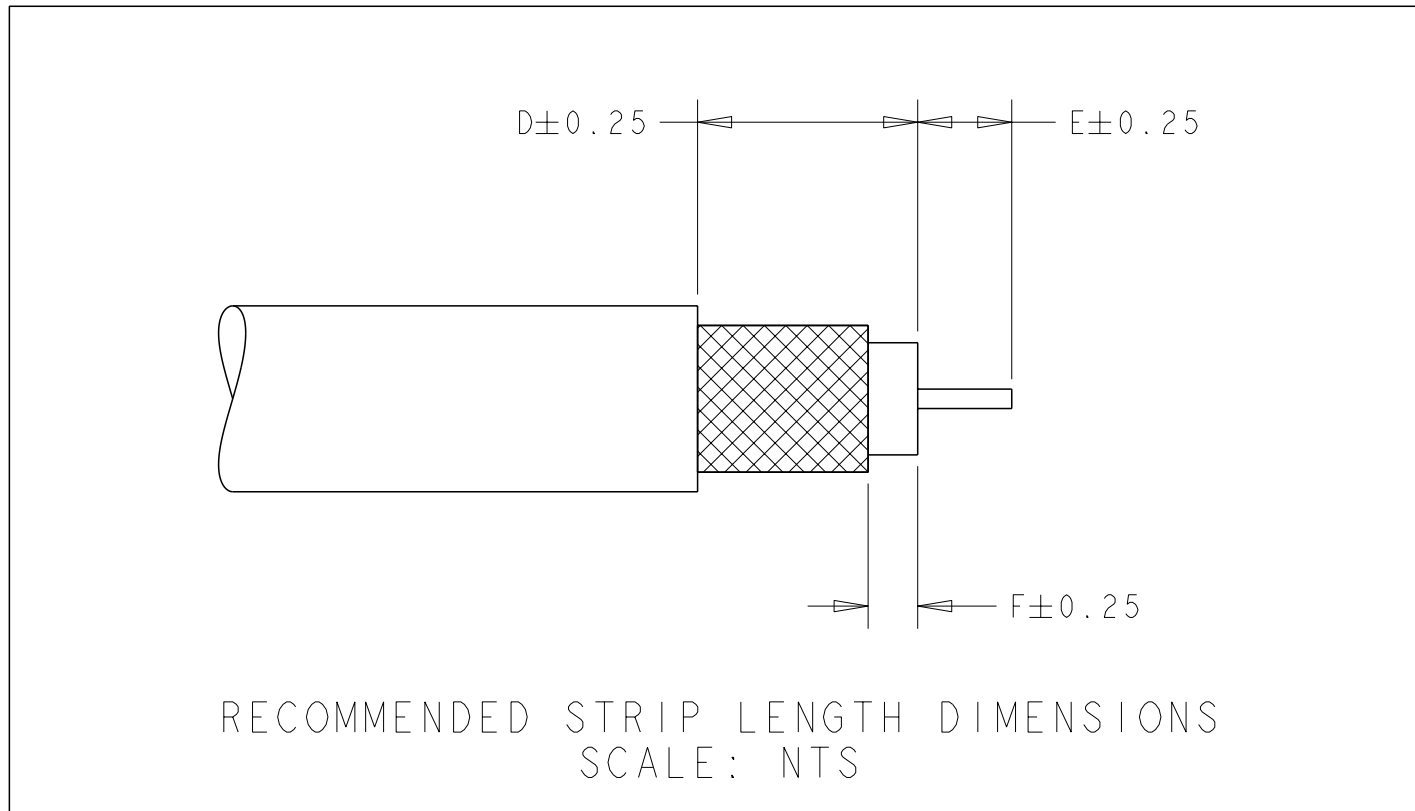
REVISIONS					
P	LTR	DESCRIPTION	DATE	DWN	APVD
D3		REVISED PER ECO-13-005286	28MAR2013	KP	LV
D4		REVISED PER ECO-15-017776	10MAR2016	DD	LV
D5		REV PER ECO-18-001301	24JAN2018	DM	DM
E		ECO-19-005931	05JUN2020	KP	MB



- 1 PHOSPHOR BRONZE.
- 2 0.38µm MIN GOLD IN LOCALIZED GOLD PLATE AREA, GOLD FLASH IN LOCALIZED GOLD FLASH PLATE AREA, BOTH OVER 2.0µm MIN NICKEL. GOLD FLASH ALLOWABLE ON ENTIRE PART.
- 3 CRIMP SOCKET CONTACT USING APPLICATOR PART NUMBER 1385456-3.
- 4 CRIMP SOCKET CONTACT USING APPLICATOR PART NUMBER 1385675-3.
- 5 NOTE DELETED.
- 6 CRIMP SOCKET CONTACT USING APPLICATOR PART NUMBER 680900-1 OR 1385623-3-A.
- 7 CRIMP SOCKET CONTACT USING APPLICATOR PART NUMBER 680901-1 OR 1385624-3.
- 8 NOTE DELETED.
- 9. SOCKET CONTACT WILL ACCEPT COAXIAL CABLE: SEE TABLE.



SECTION W-W
SCALE 20:1



FOR EXISTING APPLICATIONS ONLY ALL NEW APPLICATIONS USE 2203232-6	1.64	3.11	7.28	1.30	1.22	0.38	RG-179	7	1438896-6
	1.20	3.55	6.84	1.30	1.22	0.38	RG-62U/M, RG-71U/M	7	
FOR EXISTING APPLICATIONS ONLY ALL NEW APPLICATIONS USE 2203232-4	1.20	3.55	6.84	2.03	1.73	0.76	RG-62, RG-71	6	1438896-4
	1.64	3.11	7.28	2.03	1.73	0.76	RG-59, 59 MINI	6	
	1.64	3.11	7.28	2.03	1.73	0.76	RG-174 LL, 1.5D-2VS	4	
FOR EXISTING APPLICATIONS ONLY ALL NEW APPLICATIONS USE 2203232-2	1.64	3.11	7.28	1.98	1.99	1.00	RTK031	6	1438896-2
	1.64	3.11	7.28	1.98	1.99	1.00	RG-58, RG-58LL	3	
STATUS	F	E	D	C	B	A	APPLICABLE CABLE SIZE		PART NUMBER

THIS DRAWING IS A CONTROLLED DOCUMENT. DWN: D. J. HARDY 04 JAN 2005
 CHK: J. W. HALL 14 JAN 2005
 APVD: J. W. HALL 14 JAN 2005

STE TE Connectivity

NAME: SOCKET CONTACT, PLUG, SMB

SIZE: A2 CAGE CODE: 00779 DRAWING NO: 1438896 RESTRICTED TO: -

MATERIAL: 1 TOLERANCES UNLESS OTHERWISE SPECIFIED: 2

0 PLC ±
 1 PLC ±
 2 PLC ±0.10
 3 PLC ±
 4 PLC ±
 ANGLES ±
 FINISH ±

APPLICATION SPEC: 114-13157
 WEIGHT: -
 CUSTOMER DRAWING SCALE: 10:1 SHEET: 1 OF 1 REV: E