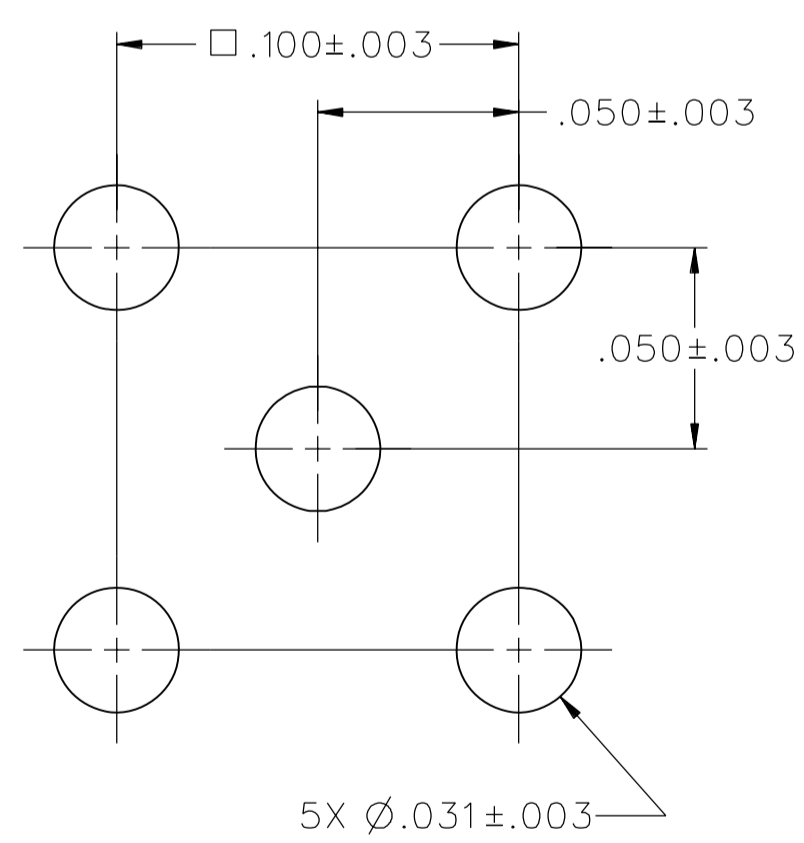
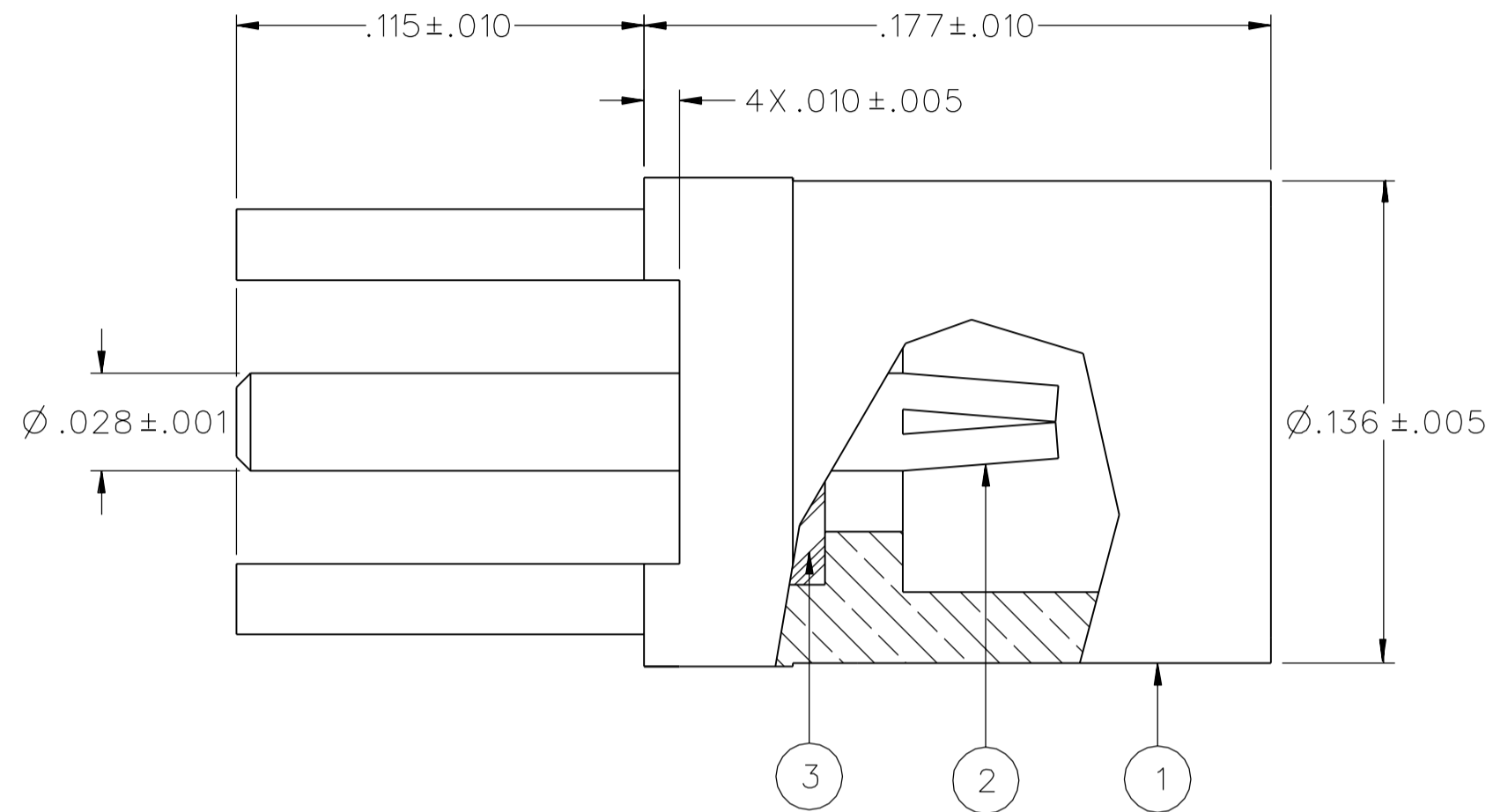
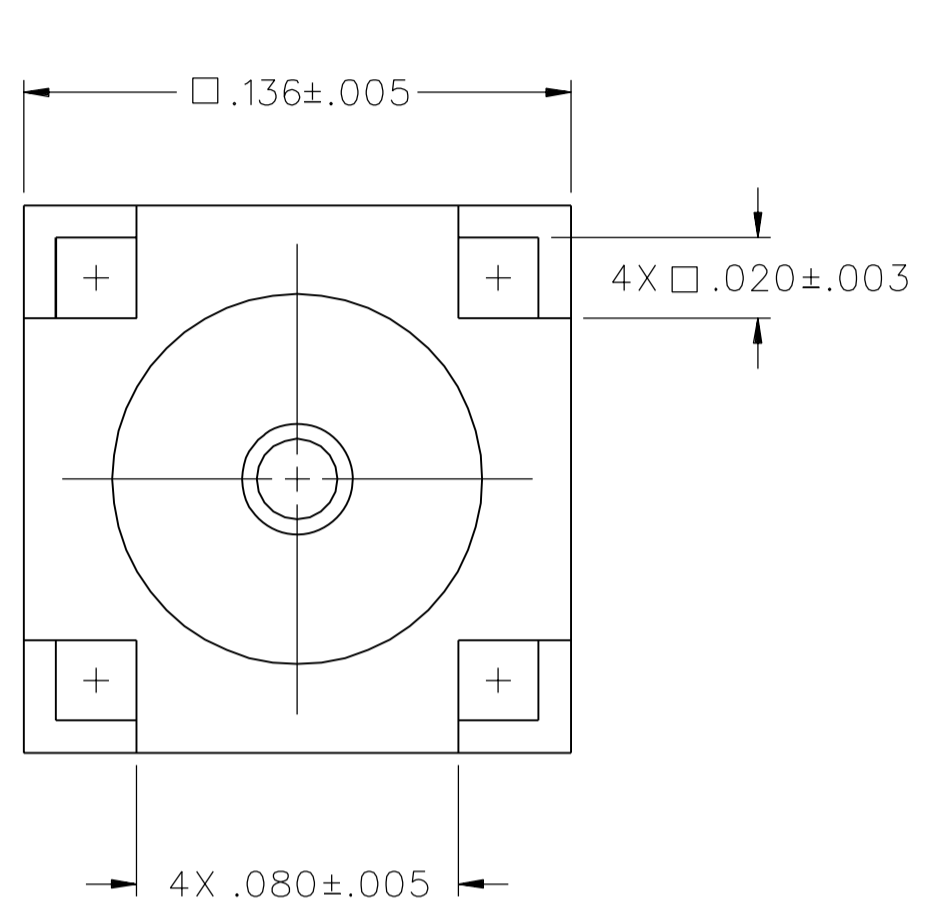
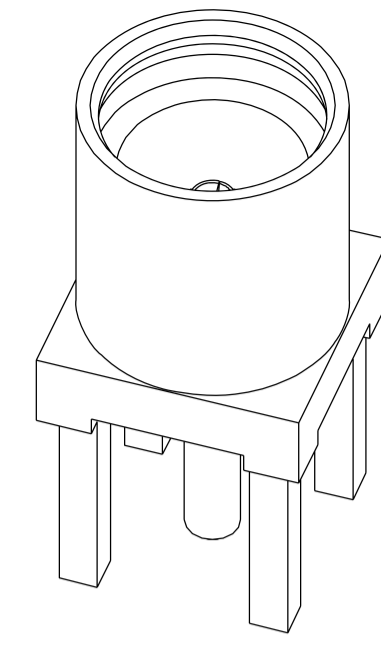


PART NUMBER	ITEM ① BODY	ITEM ② CONTACT	ITEM ③ INSULATOR
135-9701-201	COPPER ALLOY GOLD PL .00005 MIN OVER COPPER PL .00005 MIN	BERYLLIUM COPPER GOLD PL .00005 MIN OVER COPPER PL .00005 MIN	TEFLON

DRAWING NO. C - 135-9701-201/210	
0	REVISIONS
ENGINEERING RELEASE	
1	9-6-07 P J T M T A D S A K U S ECN 51227



MOUNTING HOLE LAYOUT

NOTES:


- SPECIFICATIONS:
 - IMPEDANCE: 50 OHMS
 - FREQUENCY RANGE: 0-6 GHz
 - VSWR: NOT APPLICABLE
 - WORKING VOLTAGE: 225 VRMS MAX AT SEA LEVEL
 - DIELECTRIC WITHSTANDING VOLTAGE: 500 VRMS MIN AT SEA LEVEL
 - INSULATION RESISTANCE: 1000 MEGOHM MIN
 - CONTACT RESISTANCE:
 - CENTER CONTACT - INITIAL 5.0 MILLIOHM MAX, AFTER ENVIRONMENTAL 8.0 MILLIOHM MAX
 - OUTER CONDUCTOR - GOLD PLATED INITIAL 1 MILLIOHM MAX, AFTER ENVIRONMENTAL 1.5 MILLIOHM MAX
 - NICKEL PLATED INITIAL 2.5 MILLIOHM MAX, AFTER ENVIRONMENTAL 3.5 MILLIOHM MAX
 - BRAID TO BODY - NOT APPLICABLE
 - CORONA LEVEL: 190 VOLTS MINIMUM AT 70,000 FEET
 - INSERTION LOSS: NOT APPLICABLE
 - RF LEAKAGE: NOT APPLICABLE
 - RF HIGH POTENTIAL WITHSTANDING VOLTAGE: 400 VRMS AT 4 AND 7 MHZ
- MECHANICAL:
 - ENGAGE/DISENGAGE FORCE: 8 LBS MAX ENGAGEMENT
1.4 LBS MIN DISENGAGEMENT
 - CONTACT RETENTION FORCE: 2.0 LBS MIN AXIAL FORCE
 - CONTACT RETENTION TORQUE: NOT APPLICABLE
 - COUPLING MECHANISM RETENTION: NOT APPLICABLE
 - CABLE ACCEPTABILITY: NOT APPLICABLE
 - CABLE HEX CRIMP SIZE: NOT APPLICABLE
 - CABLE RETENTION: NOT APPLICABLE
 - DURABILITY: 500 CYCLES MIN
- ENVIRONMENTAL:
 - (MEETS OR EXCEEDS THE APPLICABLE PARAGRAPH OF MIL-C-39012)
 - THERMAL SHOCK: MIL-STD-202, METHOD 107, CONDITION C EXCEPT -55 DEG C TO 155 DEG C
 - OPERATING TEMPERATURE: -55 DEG C TO 155 DEG C
 - CORROSION: MIL-STD-202, METHOD 101, CONDITION B
 - SHOCK: MIL-STD-202, METHOD 213, CONDITION B
 - VIBRATION: MIL-STD-202, METHOD 204, CONDITION D
 - MOISTURE: MIL-STD-202, METHOD 106

CUSTOMER DRAWING

THIS DRAWING TO BE INTERPRETED PER ASME Y 14.5M - 1994

"μSTATION"

COMPANY CONFIDENTIAL

TOLERANCE UNLESS OTHERWISE SPECIFIED	DRAWN BY JDS	DATE 9-6-07	 Cinch CONNECTIVITY SOLUTIONS a bel group	Cinch Connectivity Solutions P.O. Box 1732 Waseca, MN 56093 1-800-247-8256
DECIMALS mm	CHECKED BY TAK	DATE 9-14-07		TITLE JACK ASSEMBLY STRAIGHT PC MOUNT NON-MAGNETIC MMCX
.XX _____	APPROVED BY TJS	DATE 9-14-07	SHEET 2 OF 2	DRAWING NO. C - 135-9701-201/210
.XXX ±.003 _____	RELEASE DATE 9-14-07	SCALE 20:1		
MATL _____	U/M INCH			
FINISH _____				