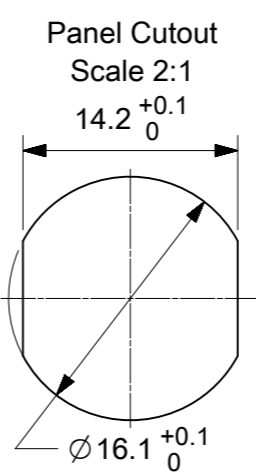
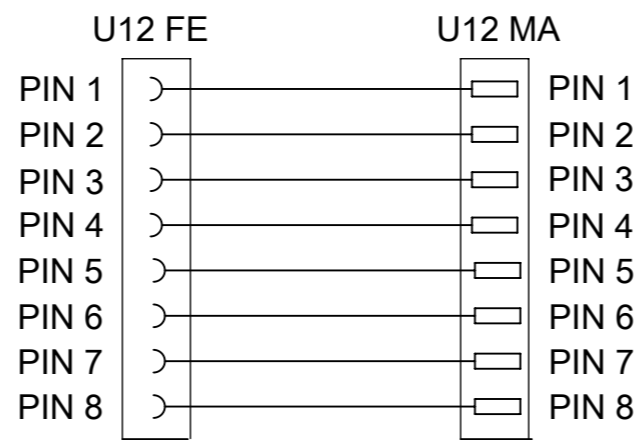
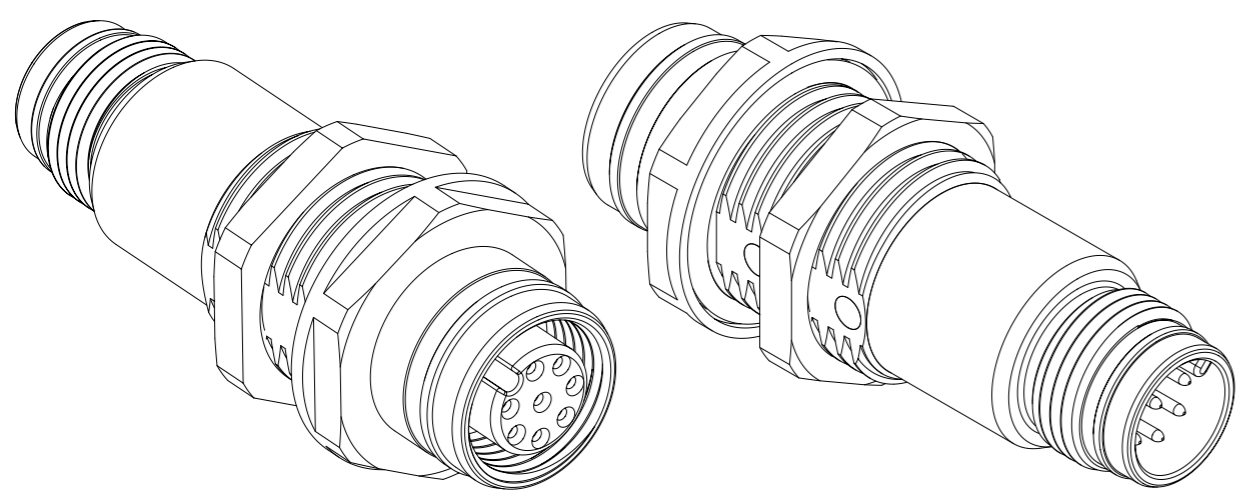


WIRING DIAGRAM



NOTES:  
 CONTACT CURRENT RATING: 2A  
 VOLTAGE RATING: 30V  
 TEMPERATURE: -25°C / +85°C  
 INTERNATIONAL PROTECTION: SIDE 1 - IP 67/68/69K  
 SIDE 2 - IP65

ITEM	QTY.	DESCRIPTION	MATERIAL	FINISH
10	8	CONTACT M12 MALE	BRASS	SELECTIVE Au OVER Ni
9	1	INSERT MALE 8P AC BLACK	PA	---
8	-	POTTING MATERIAL 2-CMPT	PUR-BASE	---
7	1	LOCKNUT SW19 M16x1.5	BRASS	NICKEL
6	1	ORING Ø16mm BLACK	EPDM	---
5	-	WIRE 0.22mm <sup>2</sup>	PVC	---
4	1	ORING Ø7.1mm RED	FPM	---
3	1	INSERT FEMALE 8P AC BLACK	PUR	---
2	1	SHELL U12/M16/U12	BRASS	NICKEL
1	8	CONTACT M12 FEMALE	BRASS	SELECTIVE Au OVER Ni



SCALE 2:1

QUALITY SYMBOLS FA = 0 FE = 0 FB = 0 ▼ = 0 C = 0 ⊗ = 0 ■ = 0 ∇ = 0		THIS DRAWING CONTAINS INFORMATION THAT IS PROPRIETARY TO MOLEX ELECTRONIC TECHNOLOGIES, LLC AND SHOULD NOT BE USED WITHOUT WRITTEN PERMISSION		DIMENSION UNITS: MM SCALE: 3:1			
EC NO: 110653 DRWN: JMARSZALEK CHK'D: RSILLER APPR: RSILLER		GENERAL TOLERANCES (UNLESS SPECIFIED) ANGULAR TOL ± 1.0 ° 4 PLACES ± 3 PLACES ± 2 PLACES ± 0.05 1 PLACE ± 0.3 0 PLACES ± 0.5		DRWN BY: JMARSZALEK DATE: 2016/08/11 CHK'D BY: RSILLER DATE: 2016/08/29 APPR BY: RSILLER DATE: 2016/08/29			
DRAFT WHERE APPLICABLE MUST REMAIN WITHIN DIMENSIONS		DRAWING SIZE: A3 THIRD ANGLE PROJECTION		PRODUCT CUSTOMER DRAWING		SERIES: 120084 MATERIAL NUMBER: 1200848169 CUSTOMER: GENERAL MARKET	
RELEASE STATUS: P1 RELEASE DATE: 22.11.2016 13:31:40		DOCUMENT NUMBER: 1200848169 DOC TYPE: PSD DOC PART: 000 SHEET NUMBER: 1 OF 1		MOLEX		MOLEX	