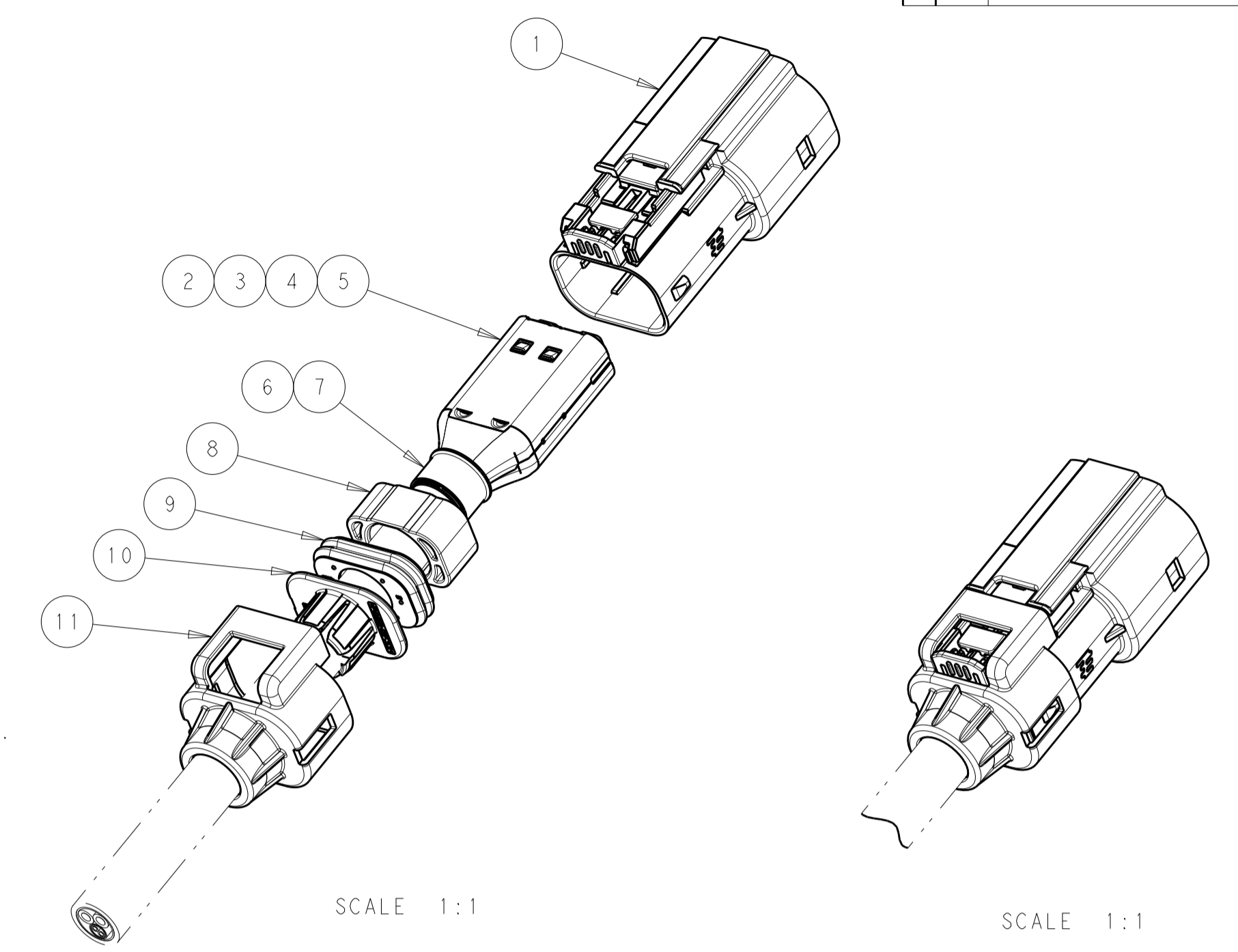
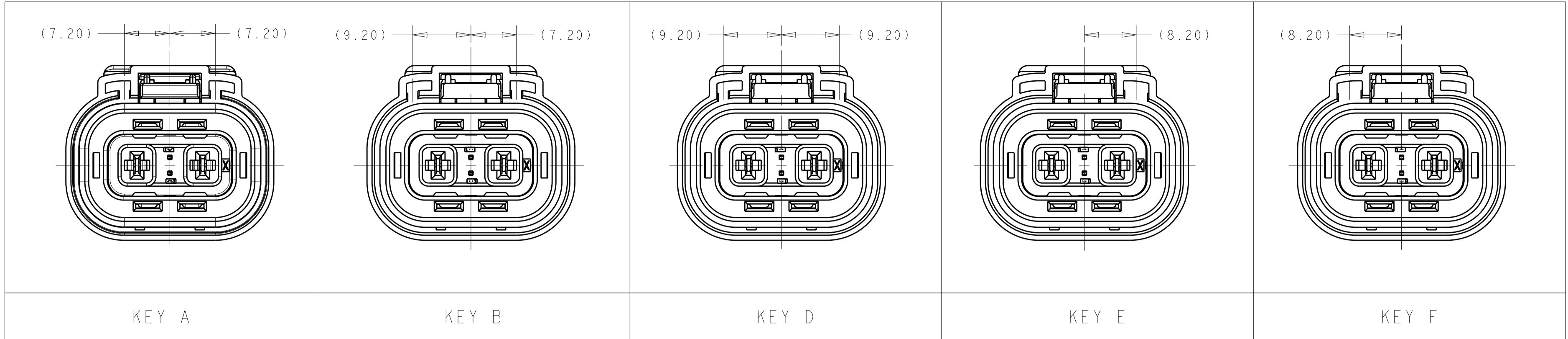
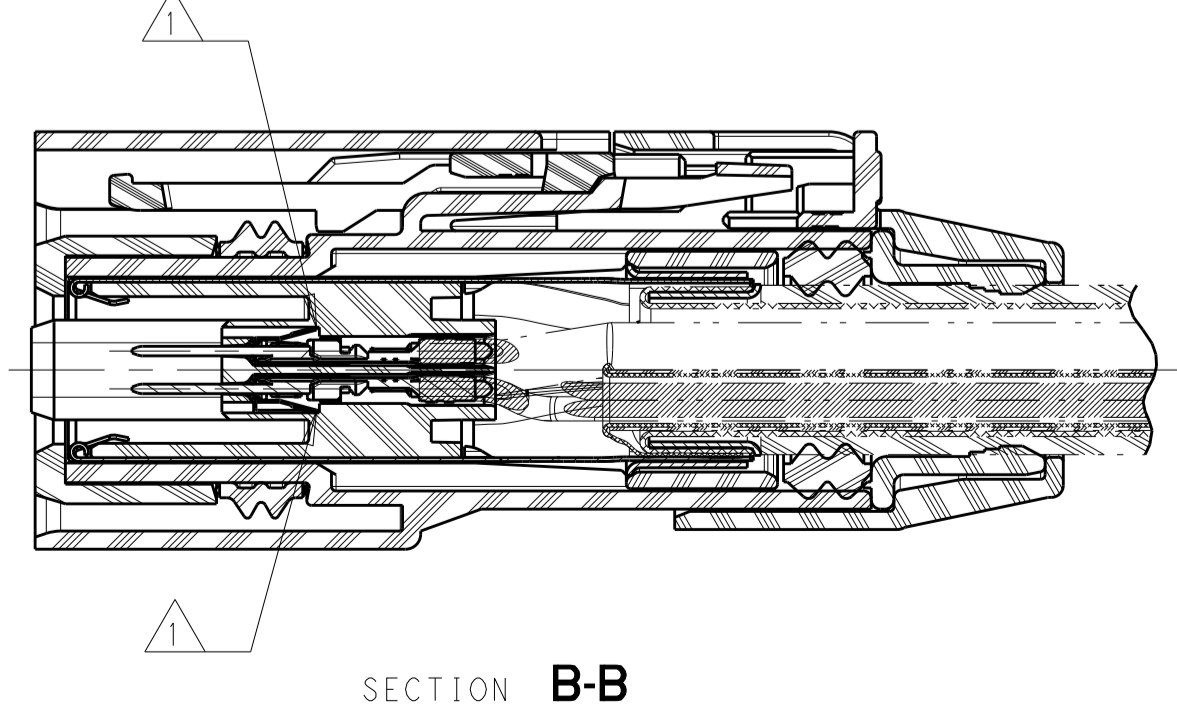
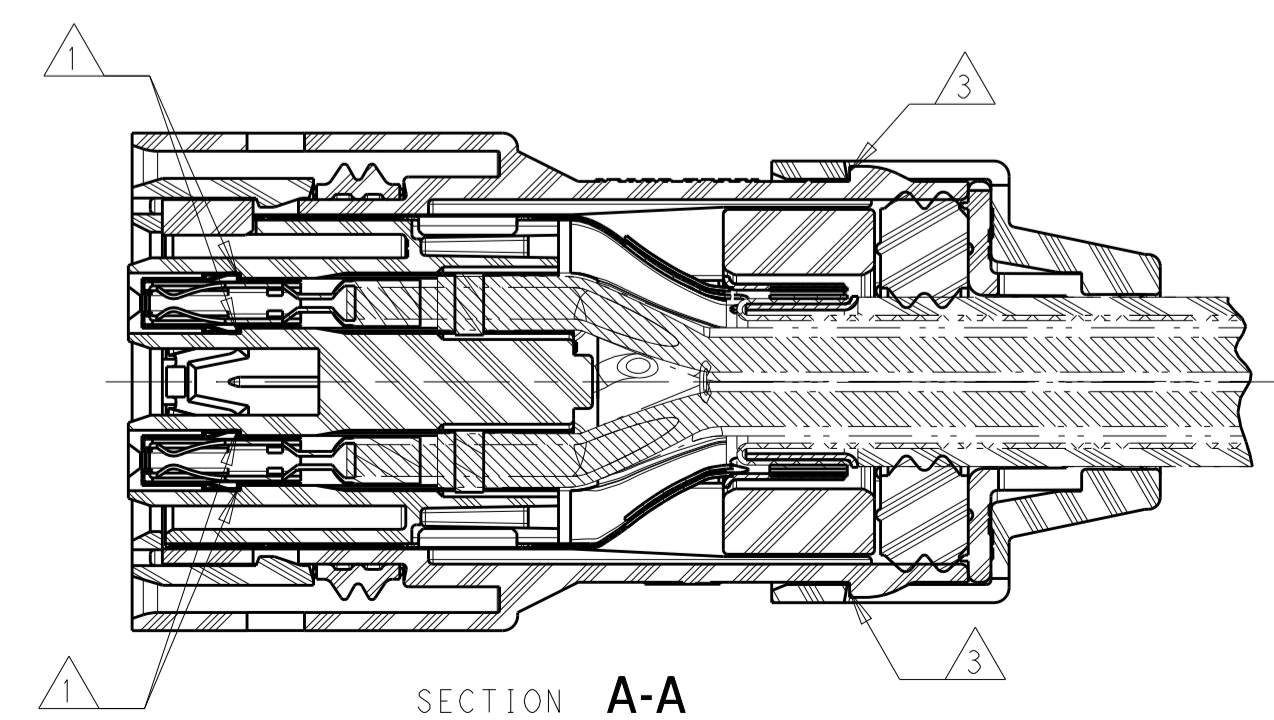
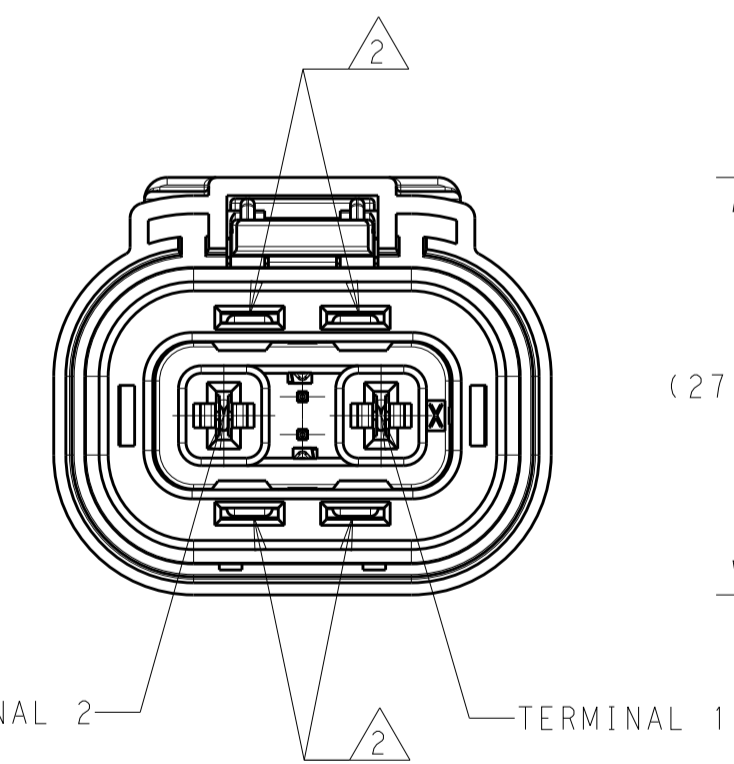
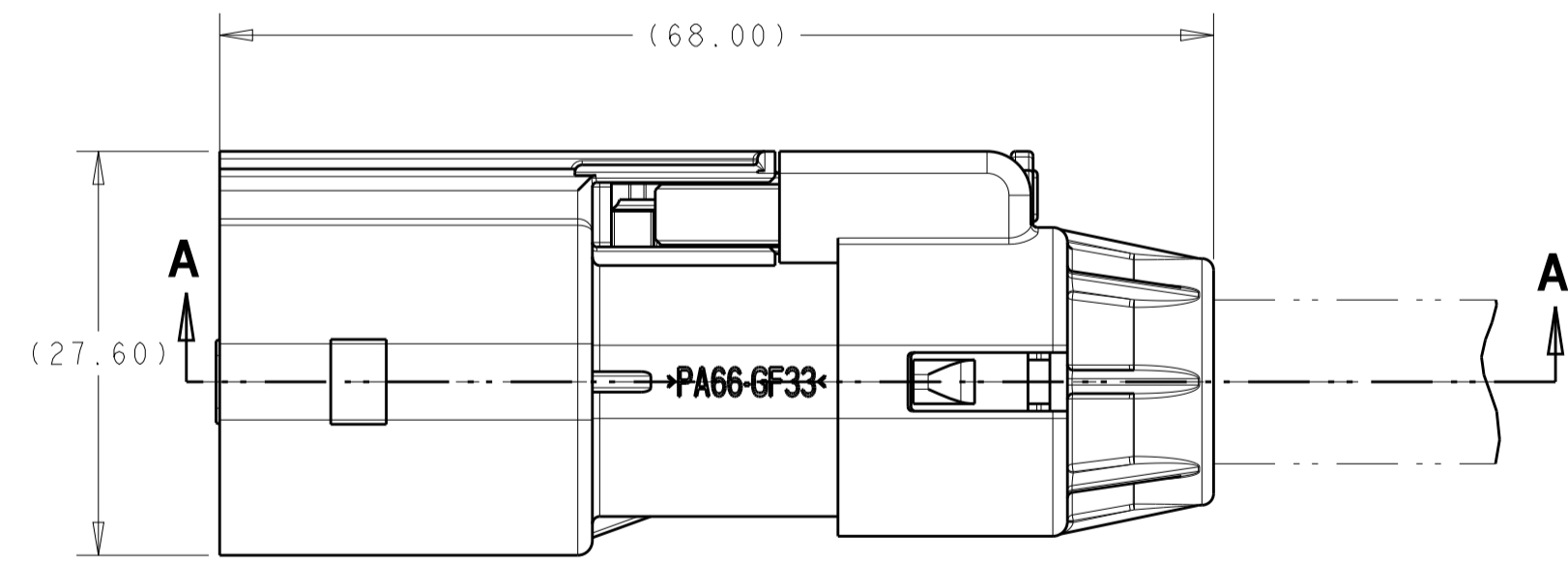
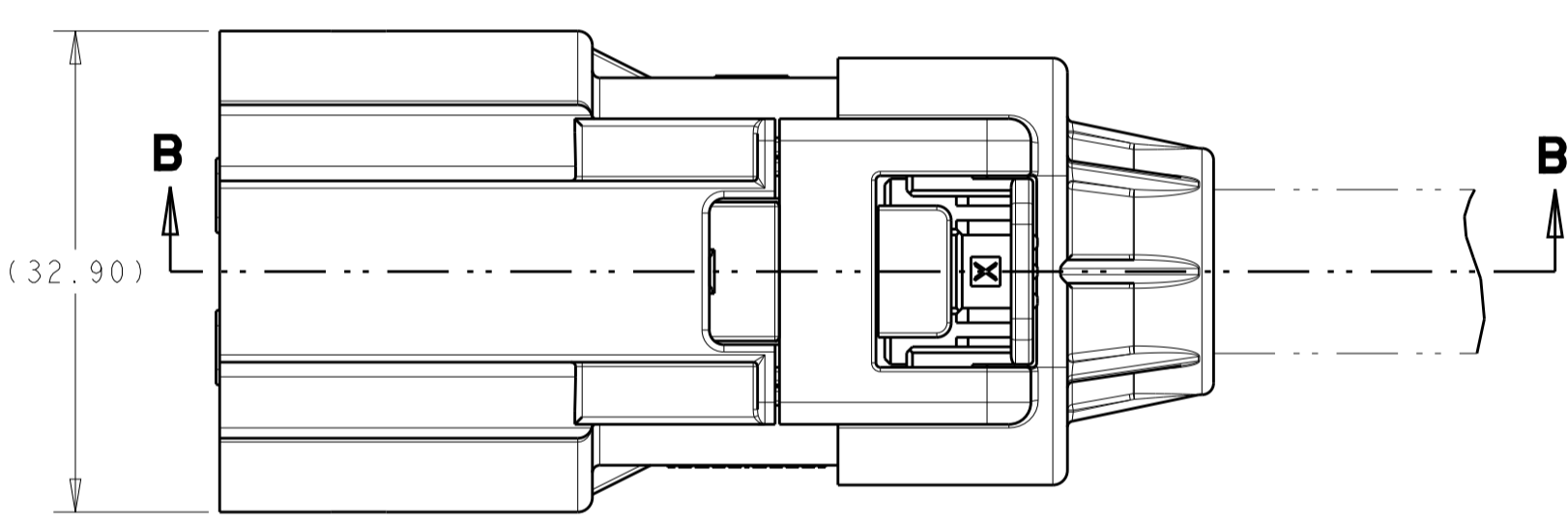


| REVISEMENTS | | DATE | DWN | APVD |
|-------------|-------------|-----------|-----|------|
| P. LTR | DESCRIPTION | | | |
| A | NEW DRAWING | 09AUG2013 | DR | DR |



- 1 ALL TERMINALS MUST BE FULLY SEATED AND LOCKED IN POSITION
- 2 INNER HOUSING MUST BE FULLY LOCKED 4 PLACES
- 3 CABLE SEAL RETAINER MUST BE FULLY LOCKED 2 PLACES
- 4 PARTS ARE NOT AVAILABLE BY THESE NUMBERS FULLY ASSEMBLED AS SHOWN. FINAL ASSEMBLY REQUIRES INDIVIDUAL COMPONENTS OR SUB-ASSEMBLIES LISTED IN THE PARTS LIST AND AVAILABLE SEPARATELY FROM TE. CONSULT INDIVIDUAL CUSTOMER DRAWINGS FOR PART RELEASE STATUS.
- 5 NOTE DELETED
- 6 VALIDATED CABLE / SUBCOMPONENT COMBINATION
- 7. MATES WITH Ag SHIELD HEADERS SHOWN ON TE DRAWING 2103124



| | | | | | | | |
|---|---|---|---|---|-------------|--|----|
| 1 | 1 | 1 | 1 | 1 | 2103013-1 | SEAL RETAINER, CABLE, SIZE 1 | 11 |
| 1 | 1 | 1 | 1 | 1 | 2103155-1 | COLLET, SIZE 1 | 10 |
| 1 | 1 | 1 | 1 | 1 | 2103154-1 | SEAL, CABLE, SIZE 1 | 9 |
| 1 | 1 | 1 | 1 | 1 | 2103153-1 | SPACER | 8 |
| 1 | 1 | 1 | 1 | 1 | 1587724-3 | FERRULE, OUTER, SIZE C | 7 |
| 1 | 1 | 1 | 1 | 1 | 1587723-3 | FERRULE, INNER, SIZE C | 6 |
| 2 | 2 | 2 | 2 | 2 | 1-2103157-1 | SHIELD, PLUG, Ag, SIZE 1 | 5 |
| 2 | 2 | 2 | 2 | 2 | 1-968853-3 | MCP 2.8 TERMINAL FEMALE, Ag, >2.5-4.0mm ² | 4 |
| 2 | 2 | 2 | 2 | 2 | 963716-2 | MQS 0.63 TERMINAL MALE, Au, 0.50-0.75mm ² | 3 |
| 1 | 1 | 1 | 1 | 1 | 1587977-2 | INNER HOUSING, PASS THRU HVIL | 2 |
| 1 | — | — | — | — | 4-2103015-6 | PLUG SUBASSY, KEY F, FINGER LATCH, WITH CPA | 1 |
| — | 1 | — | — | — | 4-2103015-5 | PLUG SUBASSY, KEY E, FINGER LATCH, WITH CPA | 1 |
| — | — | 1 | — | — | 4-2103015-4 | PLUG SUBASSY, KEY D, FINGER LATCH, WITH CPA | 1 |
| — | — | — | 1 | — | 4-2103015-2 | PLUG SUBASSY, KEY B, FINGER LATCH, WITH CPA | 1 |
| — | — | — | — | 1 | 4-2103015-1 | PLUG SUBASSY, KEY A, FINGER LATCH, WITH CPA | 1 |

| ASSEMBLY INDEX | | | | | PARTS LIST | |
|--|-----------|-----------|-----------------------------------|-----------|---|------|
| F | E | D | B | A | REFERENCE NUMBER | ITEM |
| 2103436-6 | 2103436-5 | 2103436-4 | 2103436-2 | 2103436-1 | REFERENCE NUMBER 4 ← THESE NUMBERS ARE FOR REFERENCE PURPOSE ONLY AND ARE NOT FOR SALE | |
| QUANTITY REQUIRED | | | | | | |
| KROMBERG & SCHUBERT 64994093 | | | CABLE SUPPLIER / SPECIFICATION | | | |
| 2x4.0mm ² + 2x0.5mm ² CABLE SIZE | | | | | | |

THIS DRAWING IS A CONTROLLED DOCUMENT.

DIMENSIONS: mm TOLERANCES UNLESS OTHERWISE SPECIFIED: ±0.50

| PLC | FINISH | WEIGHT | CAGE CODE | DRAWING NO | RESTRICTED TO |
|-----|--------|-----------|-----------|------------|---------------|
| 1 | 1 | 114-13310 | A100779 | C=2103436 | |

APPROVED: [Signatures]
 NAME: PLUG ASSEMBLY, PASS THRU HVIL, HVA280-2PHM, REFERENCE DRAWING
 SCALE: 2:1 SHEET 1 OF 1 REV A