

U_FPGA_PWR_MISC
FPGA_PWR_MISC.SchDoc

U_FPGA_CFG
FPGA_CFG.SchDoc

U_B14_B16
B14_B16.SchDoc

U_B15
B15.SchDoc

U_B34
B34.SchDoc

U_B35
B35.SchDoc

U_B2B_Connector
B2B_Connector.SchDoc

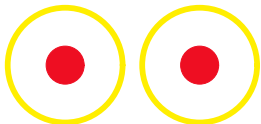
U_POWER
POWER.SchDoc

U_Optical_transceiver
Optical_transceiver.SchDoc

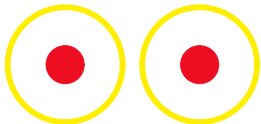
LOGO1

TE Logo PRINT Layer

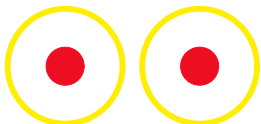
LOGO PRINT



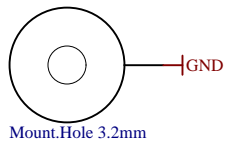
PM1 PM2



PM4 PM5

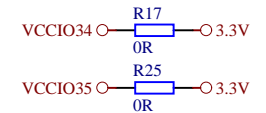
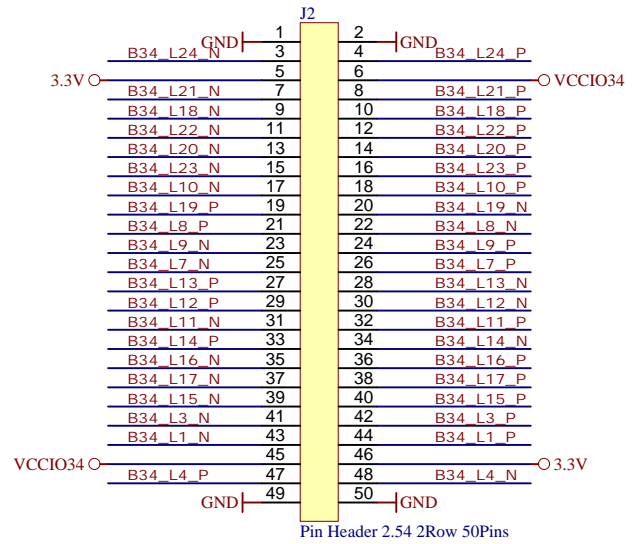
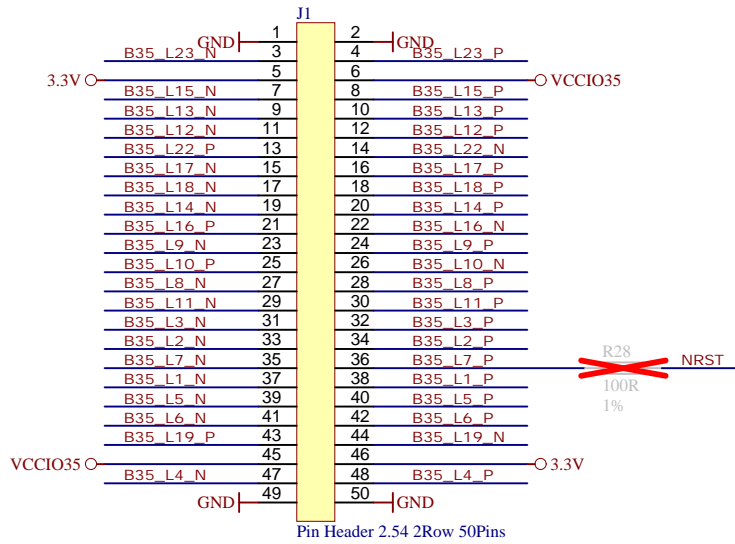
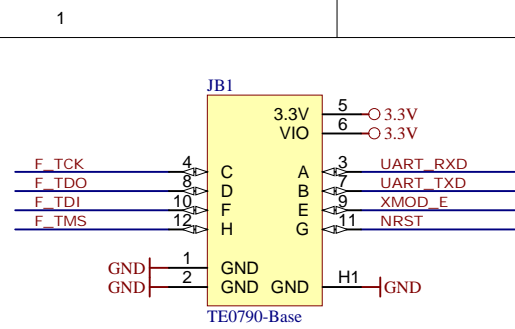


PM6 PM3



Mount.Hole 3.2mm

			Title: TE0725 - Overview		
			A4	Number: TE0725 TE0725-15-1C	Rev. 02
Date: 2015-09-15		Copyright: Trenz Electronic GmbH / TT		Page1 of 10	
Filename: TE0725.SchDoc					



Title: TE0725 - B2B Connectors			
A4	Number: TE0725 TE0725-15-1C	Rev. 02	
Date: 2015-09-15	Copyright: Trenz Electronic GmbH / TT	Page2 of 10	
Filename: B2B_Connector.SchDoc			

1

2

3

4

A

A

B

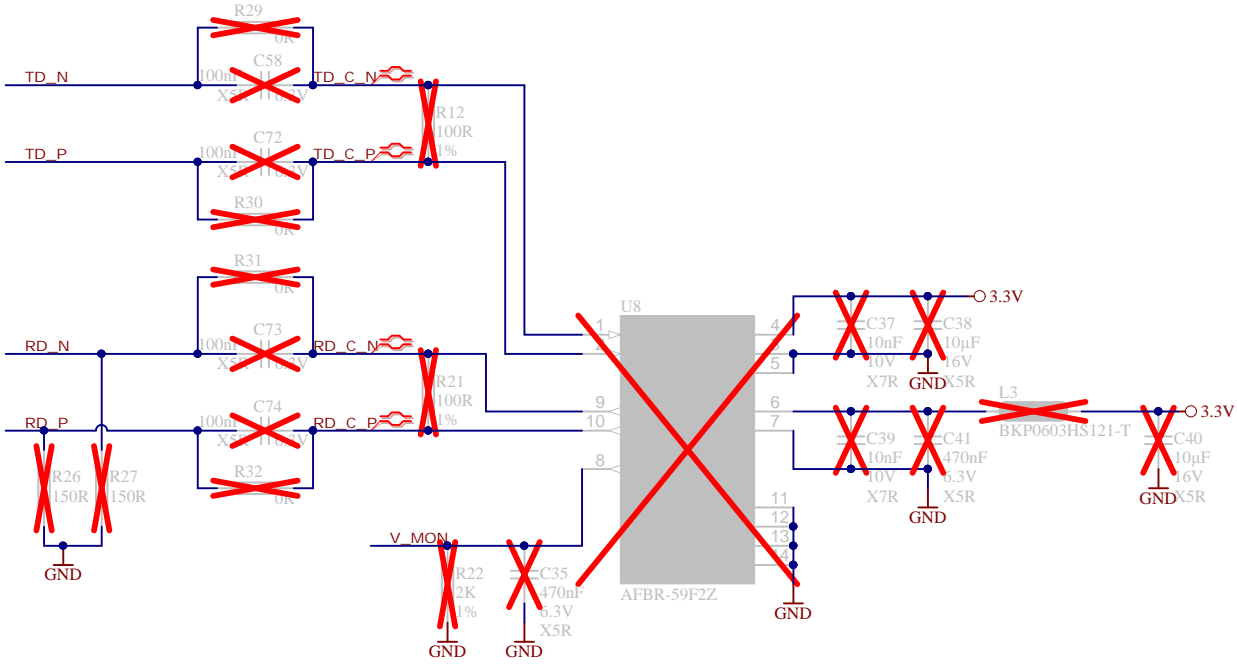
B

C

C

D

D



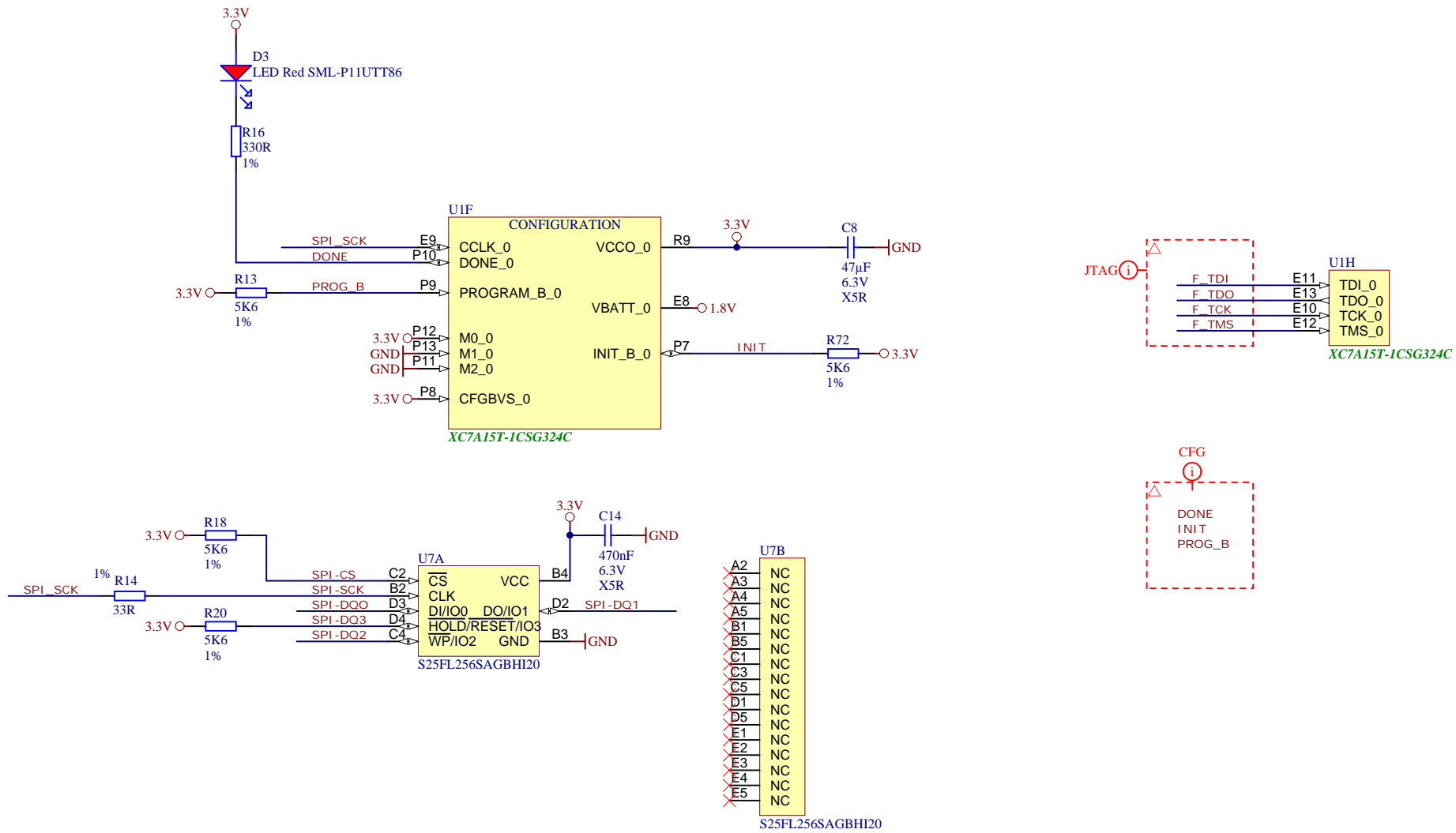
Title: TE0725 - Optical transceiver		
A4	Number: TE0725 TE0725-15-1C	Rev. 02
Date: 2015-09-15	Copyright: Trenz Electronic GmbH / TT	Page 3 of 10
Filename: Optical_transceiver.SchDoc		


1

2

3

4



		Title: TE0725 - FPGA CFG	
		A4	Number: TE0725 TE0725-15-1C
Date: 2015-09-15		Copyright: Trenz Electronic GmbH / TT	
Filename: FPGA_CFG.SchDoc		Page 4 of 10	

1

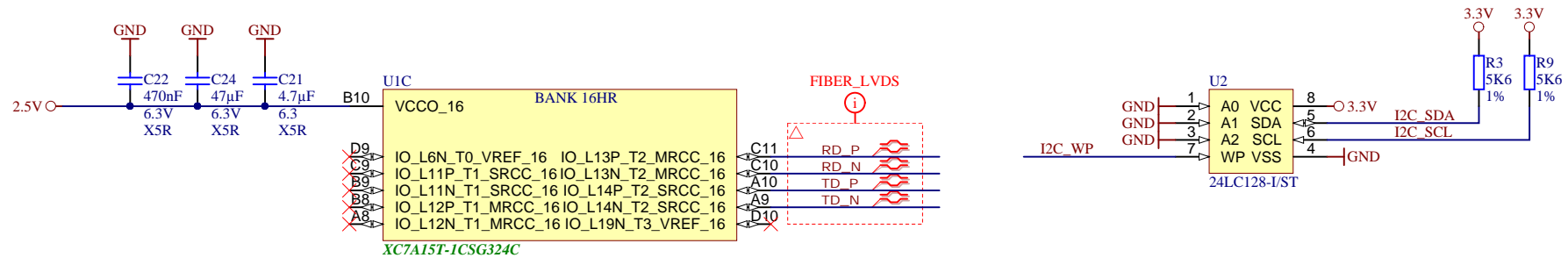
2

3

4

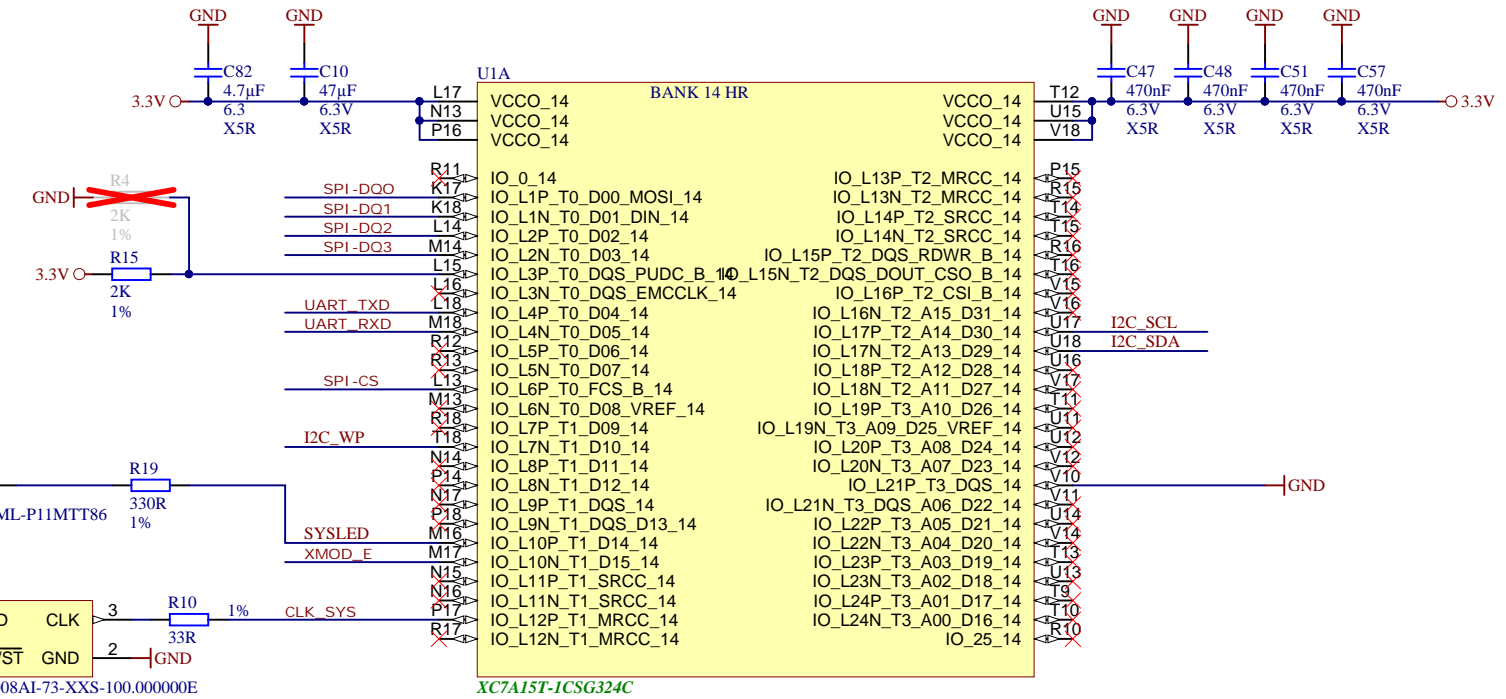
A

A



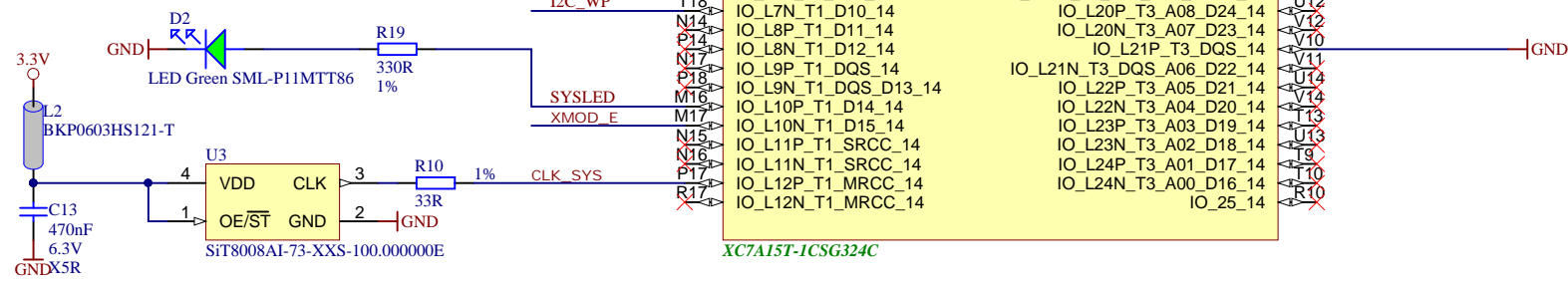
B

B



C

C



D

D

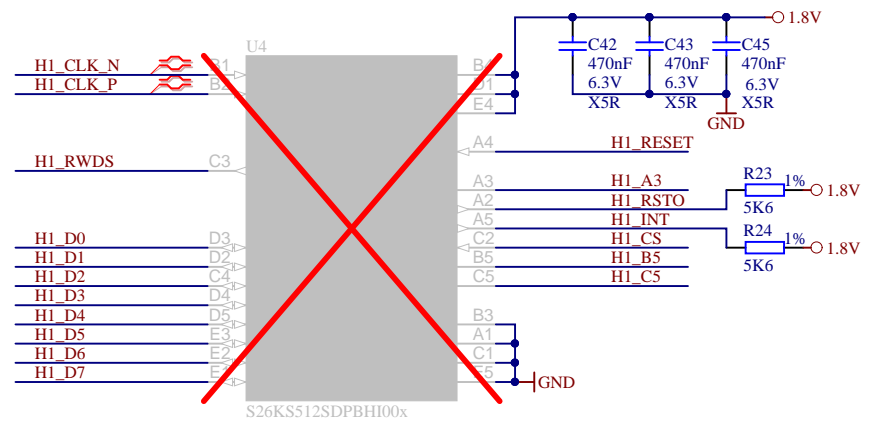
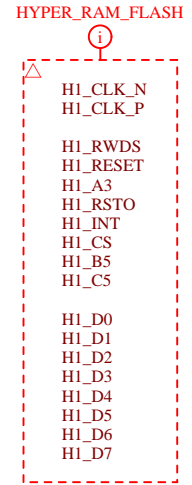
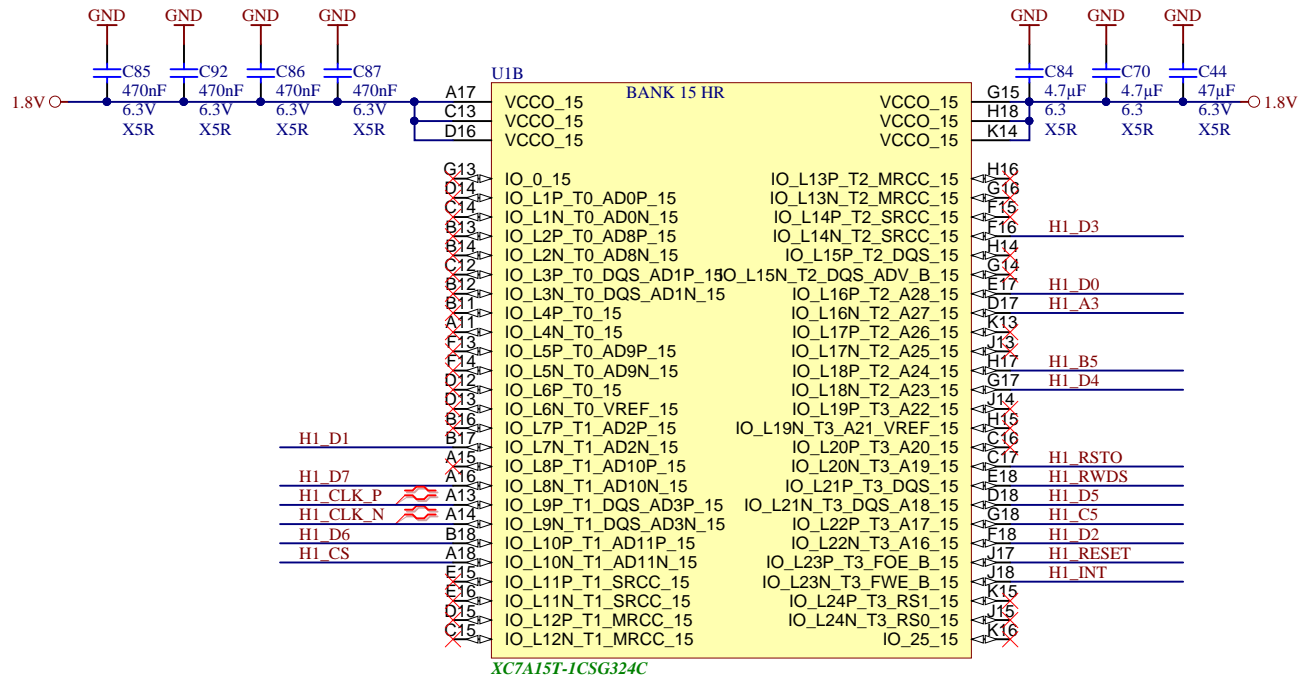
Title: TE0725 - B14 & B16		
A4	Number: TE0725 TE0725-15-1C	Rev. 02
Date: 2015-09-15	Copyright: Trenz Electronic GmbH / TT	Page 5 of 10
Filename: B14_B16.SchDoc		


1

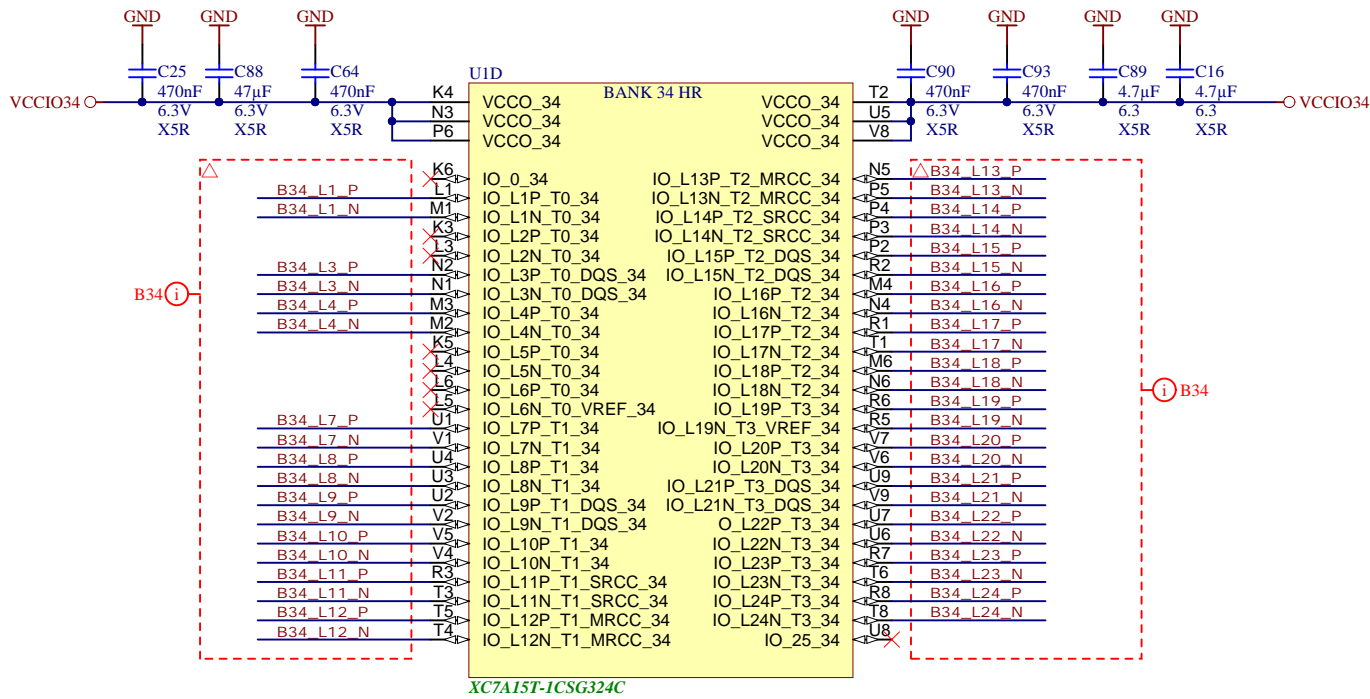

2

3

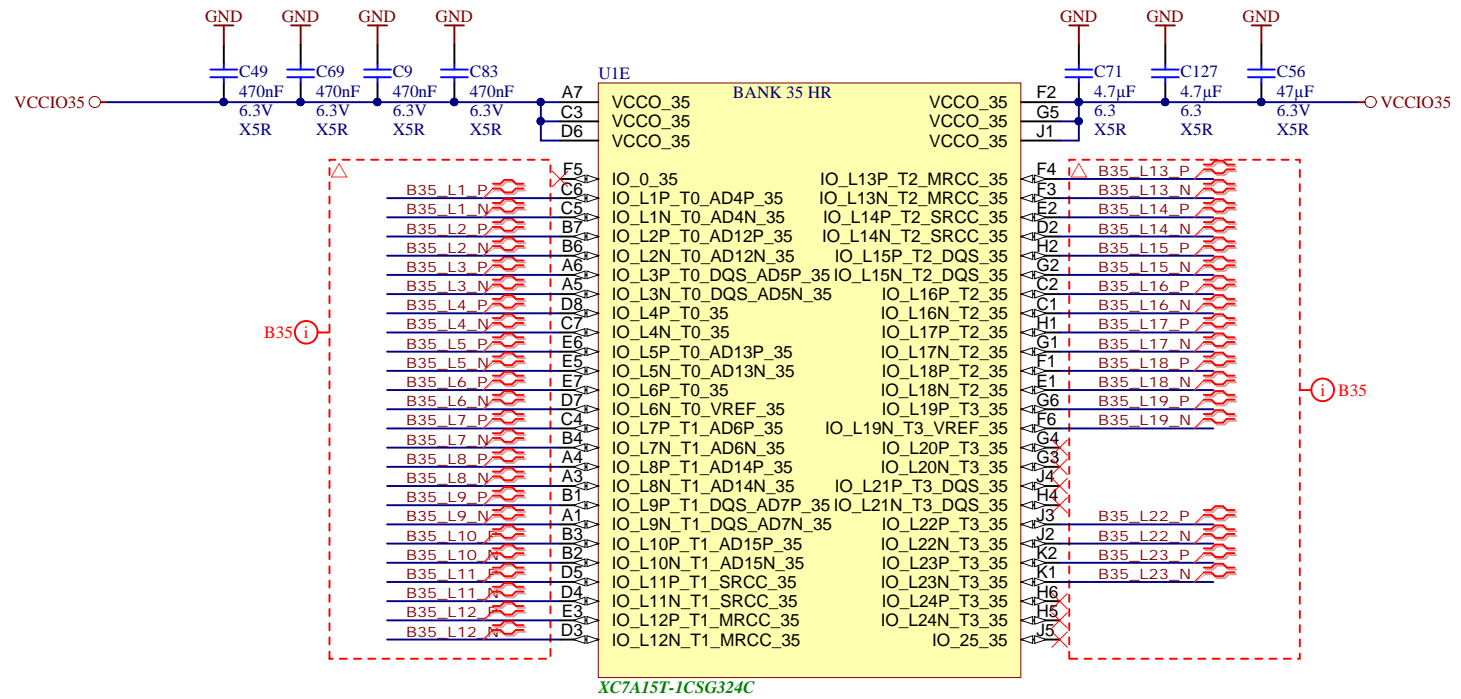
4



		Title: TE0725 - B15	
		A4	Number: TE0725 TE0725-15-1C
Date: 2015-09-15		Copyright: Trenz Electronic GmbH / TT	
Filename: B15.SchDoc		Page 6 of 10	

Title: TE0725 - B34		
A4	Number: TE0725 TE0725-15-1C	Rev. 02
Date: 2015-09-15	Copyright: Trenz Electronic GmbH / TT	Page 7 of 10
Filename: B34.SchDoc		



	Title: TE0725 - B35		
	A4	Number: TE0725 TE0725-15-1C	Rev. 02
	Date: 2015-09-15	Copyright: Trenz Electronic GmbH / TT	Page 8 of 10
	Filename: B35.SchDoc		

1

2

3

4

A

A

B

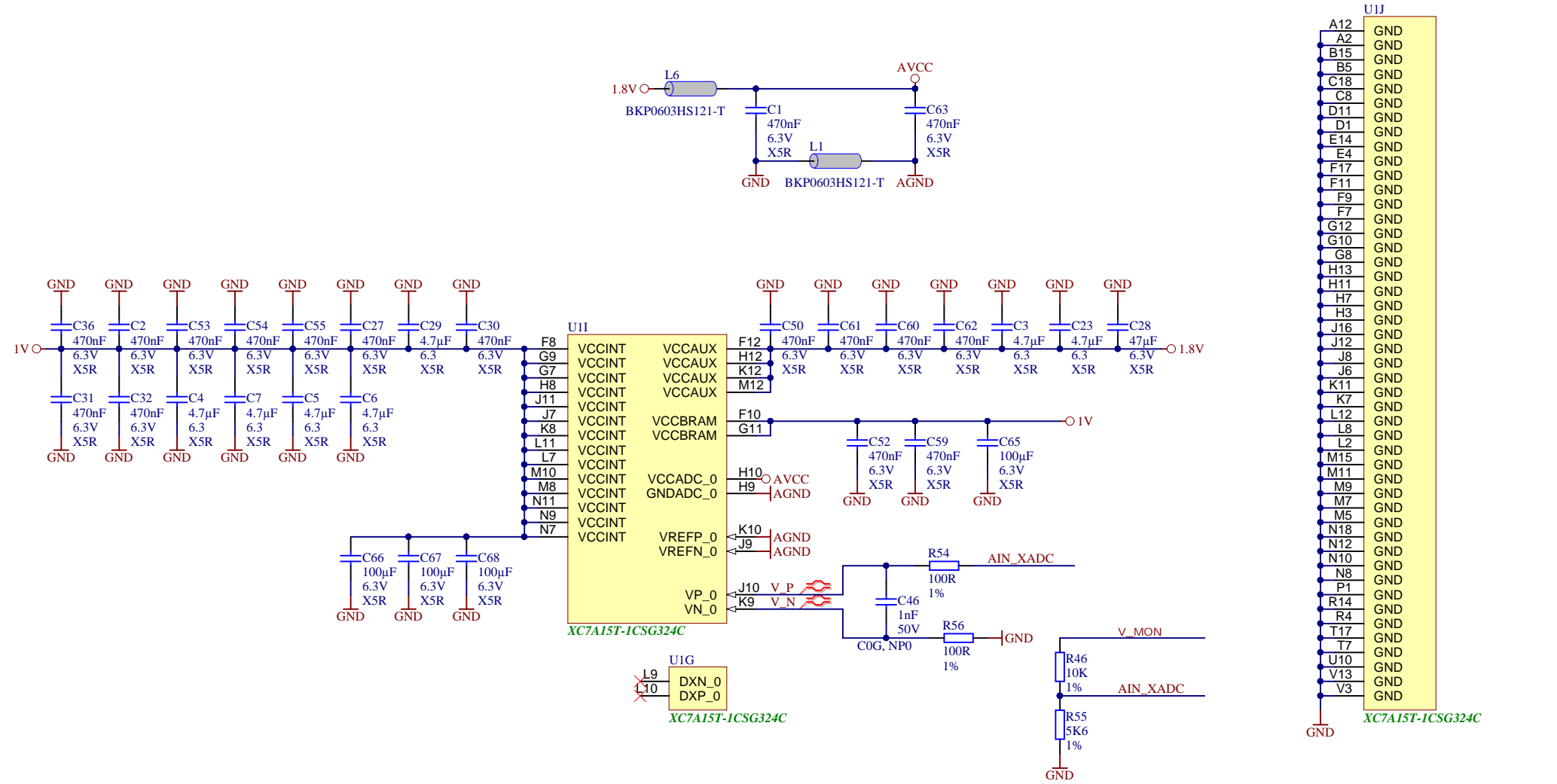
B

C

C


D

D



U1J

A12	GND
A2	GND
B15	GND
B5	GND
C18	GND
C8	GND
D11	GND
D1	GND
E14	GND
E4	GND
F17	GND
F11	GND
F9	GND
F7	GND
G12	GND
G10	GND
G8	GND
H13	GND
H11	GND
H7	GND
H3	GND
J16	GND
J12	GND
J8	GND
J6	GND
K11	GND
K7	GND
L12	GND
L8	GND
L2	GND
M15	GND
M11	GND
M9	GND
M7	GND
M5	GND
N18	GND
N12	GND
N10	GND
N8	GND
P1	GND
R14	GND
R4	GND
T17	GND
T7	GND
U10	GND
V13	GND
V3	GND



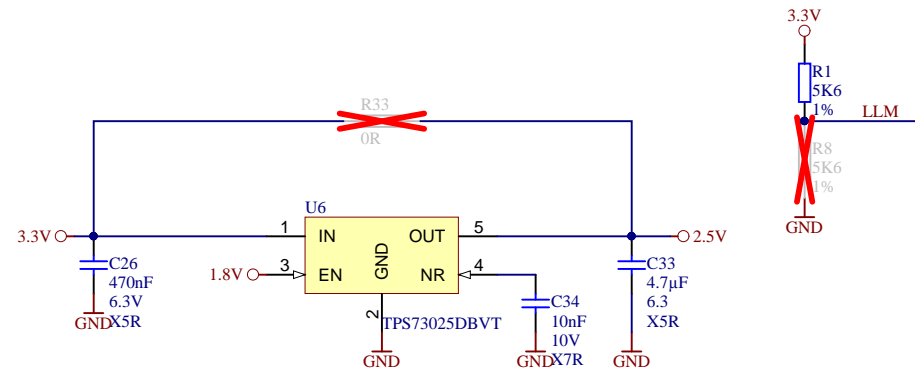
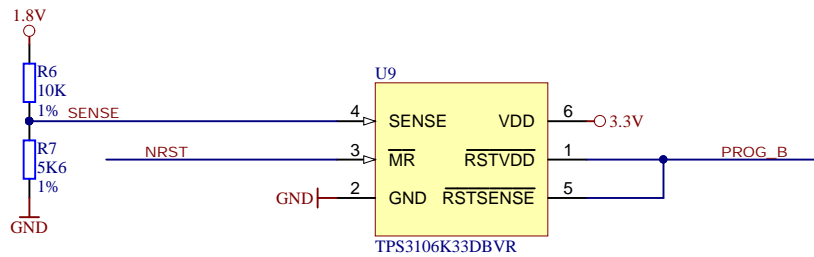
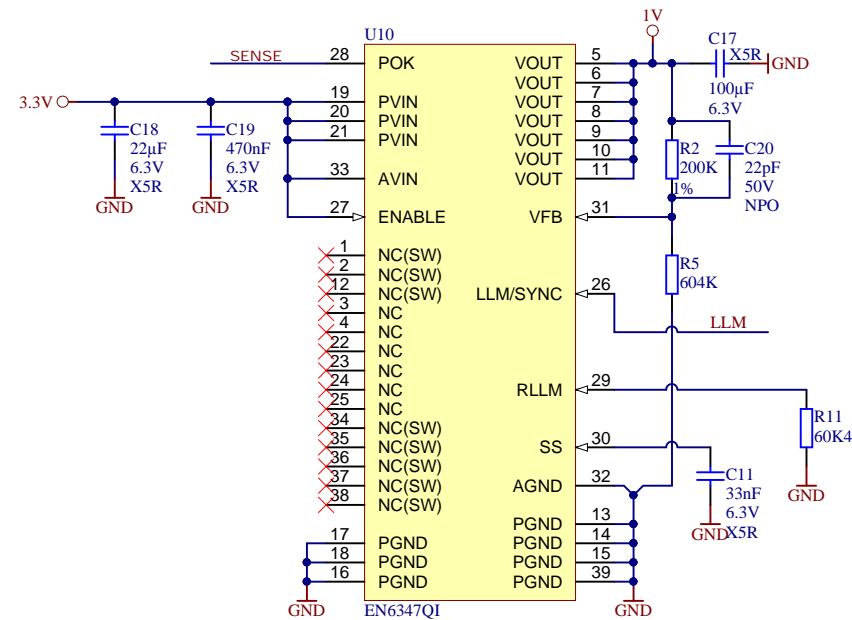
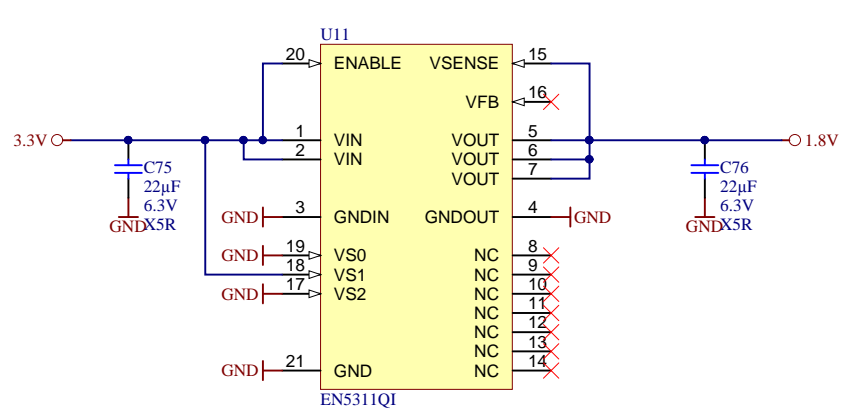
Title: TE0725 - FPGA PWR MISC		
A4	Number: TE0725 TE0725-15-1C	Rev. 02
Date: 2015-09-15	Copyright: Trenz Electronic GmbH / TT	Page9 of 10
Filename: FPGA_PWR_MISC.SchDoc		


1

2

3

4



		Title: TE0725 - POWER	
		A4	Number: TE0725 TE0725-15-1C
Date: 2015-09-15		Copyright: Trenz Electronic GmbH	Rev. 02
Filename: POWER.SchDoc		Page 10 of 10	